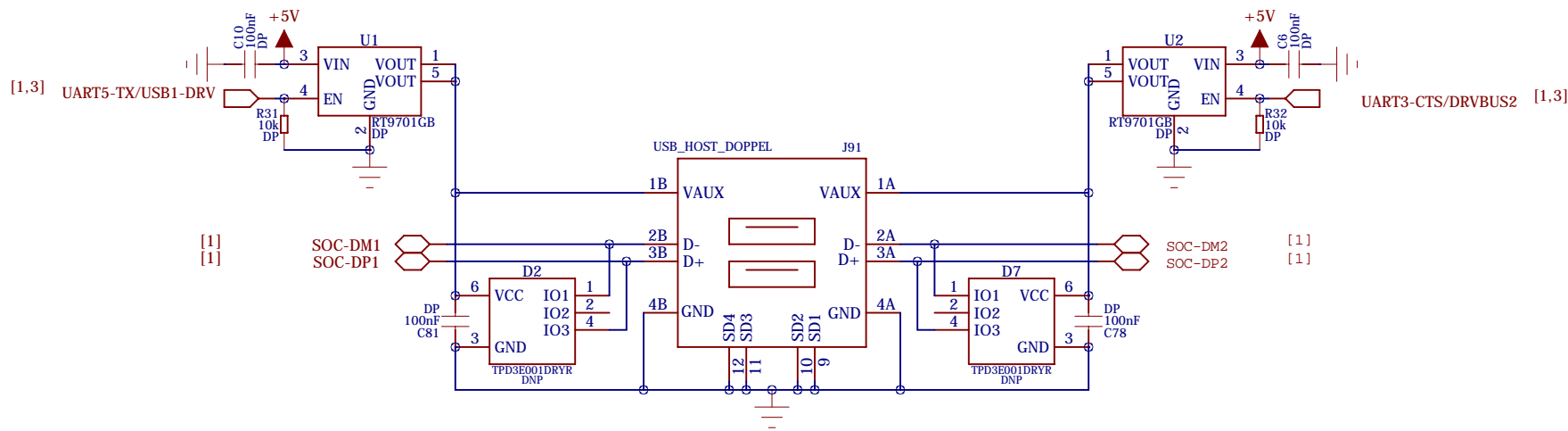
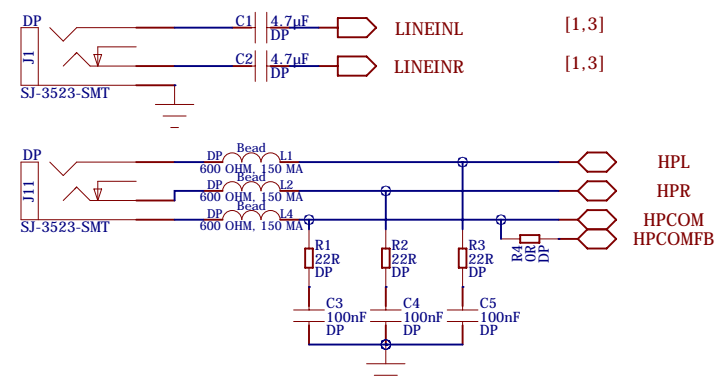
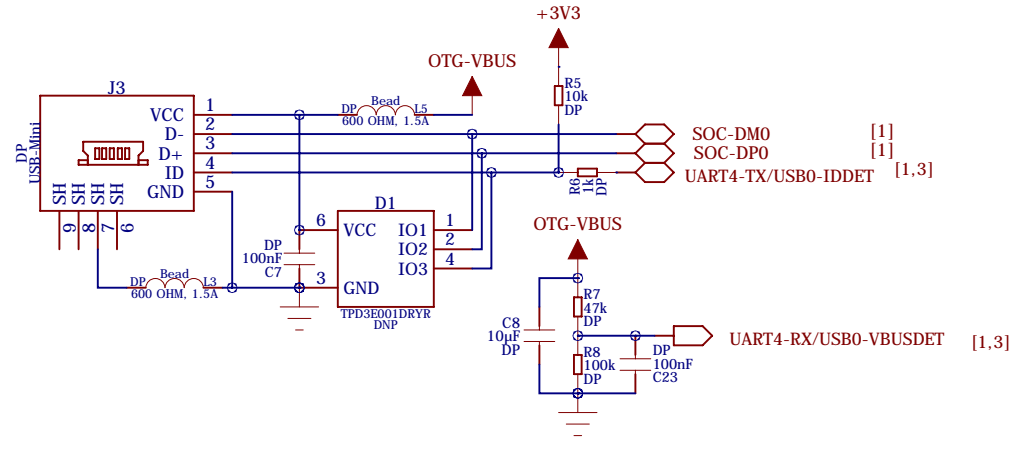
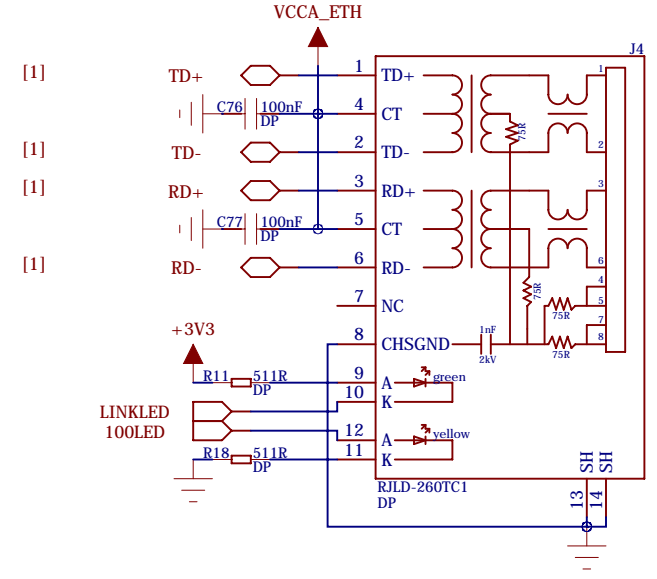
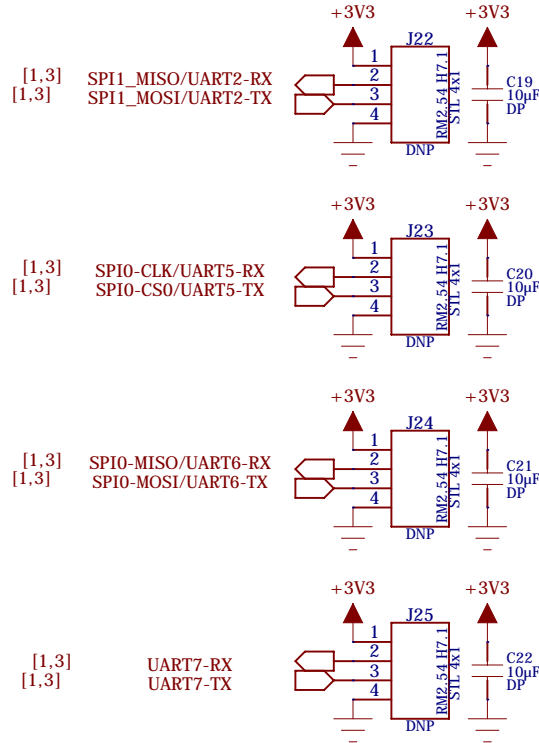
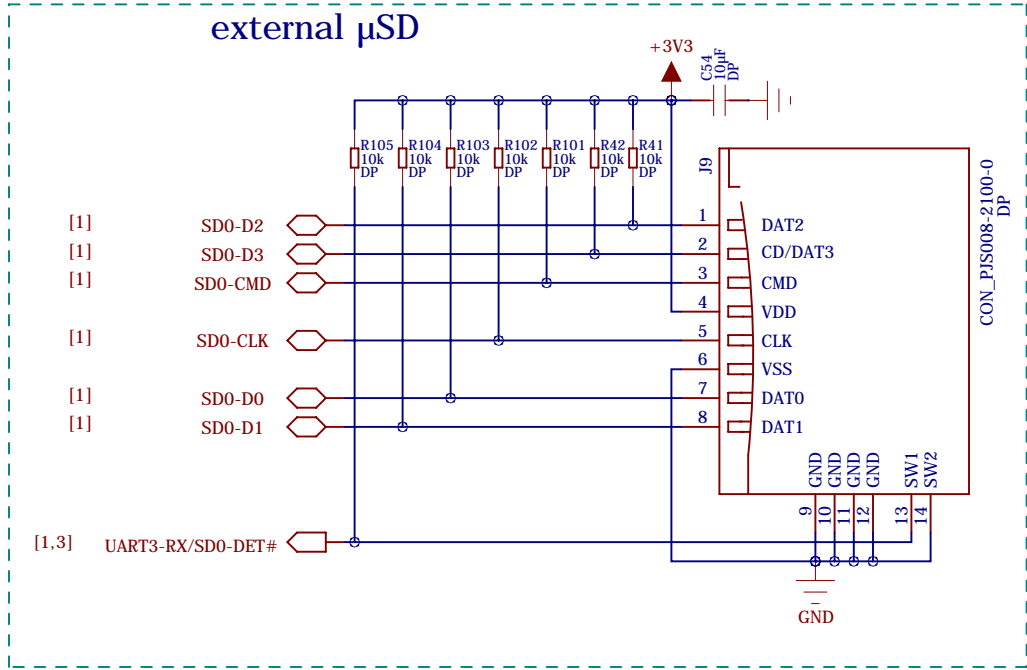


**In-Circuit GmbH**  
 Boltenhagener Str. 124  
 D-01109 Dresden

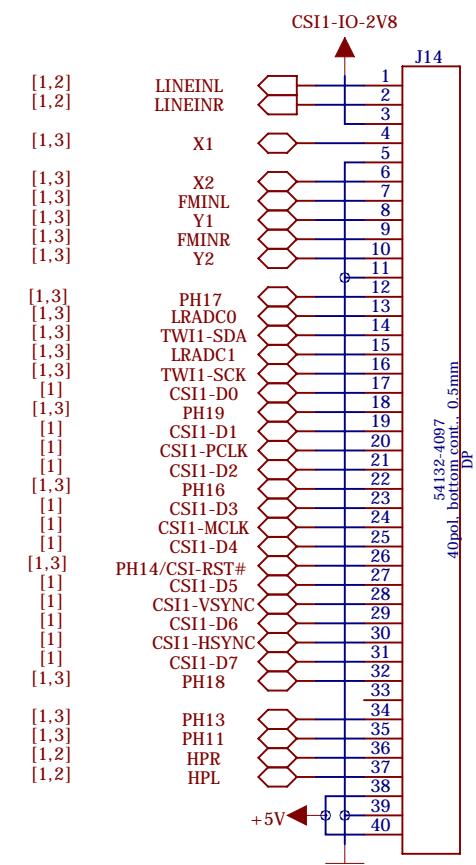
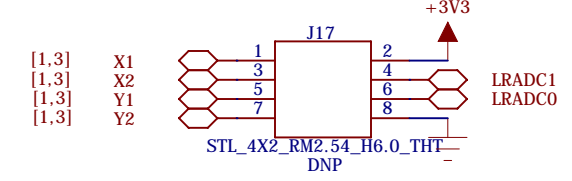
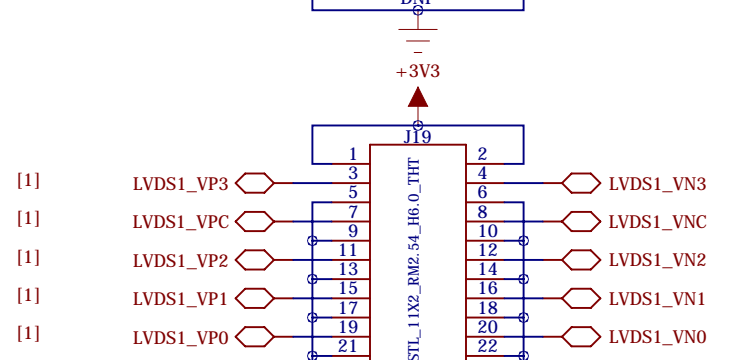
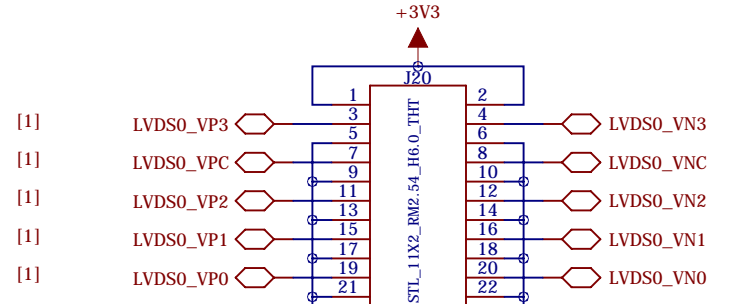
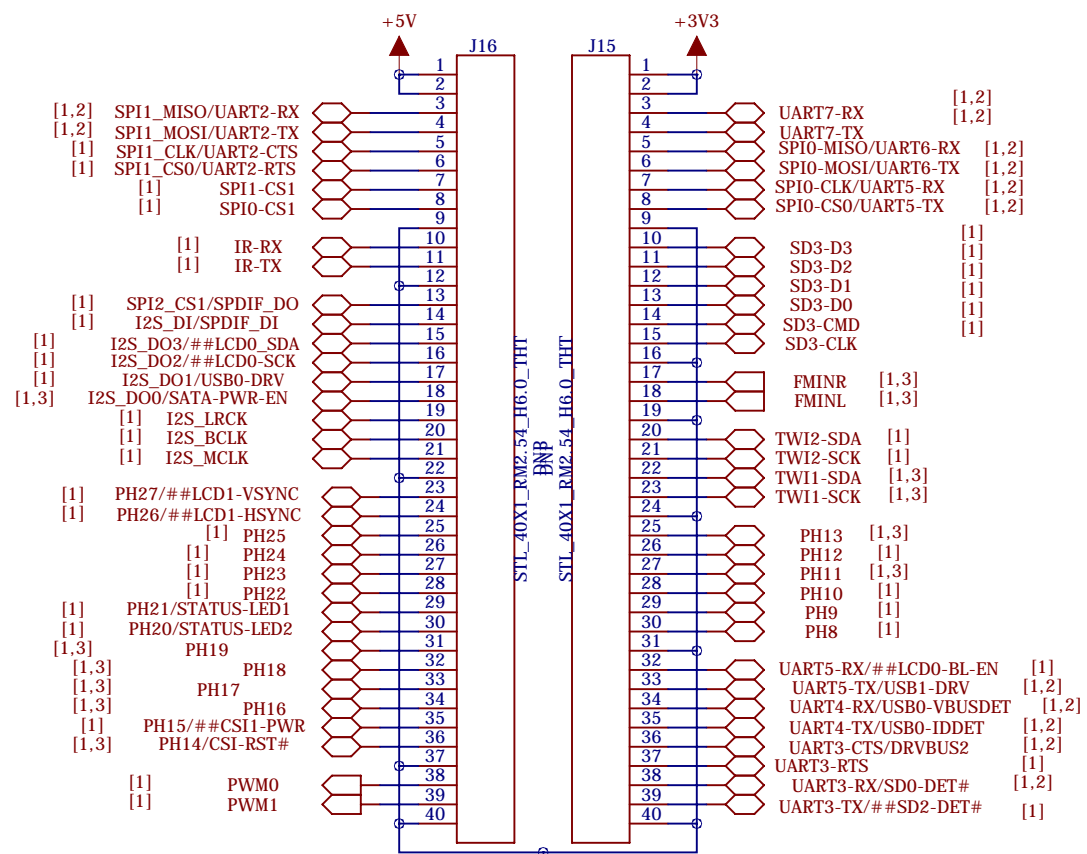
PROJECT TITLE: <b>610000286: ADB4006</b>			
BOARD NO <b>625000287A</b>	SHEET TITLE <b>1_ICNOVA-A20-SODIMM</b>	SIZE: <b>A3</b>	REV: <b>A</b>
DRAWN: <b>Jörg Träger</b>	DATED: <b>2014</b>	RELEASED: <b>-</b>	DATED:
CHECKED: <b>-</b>	DATED:	LAST SAVED <b>05.10.2014</b>	SHEET: <b>1 OF 4</b>



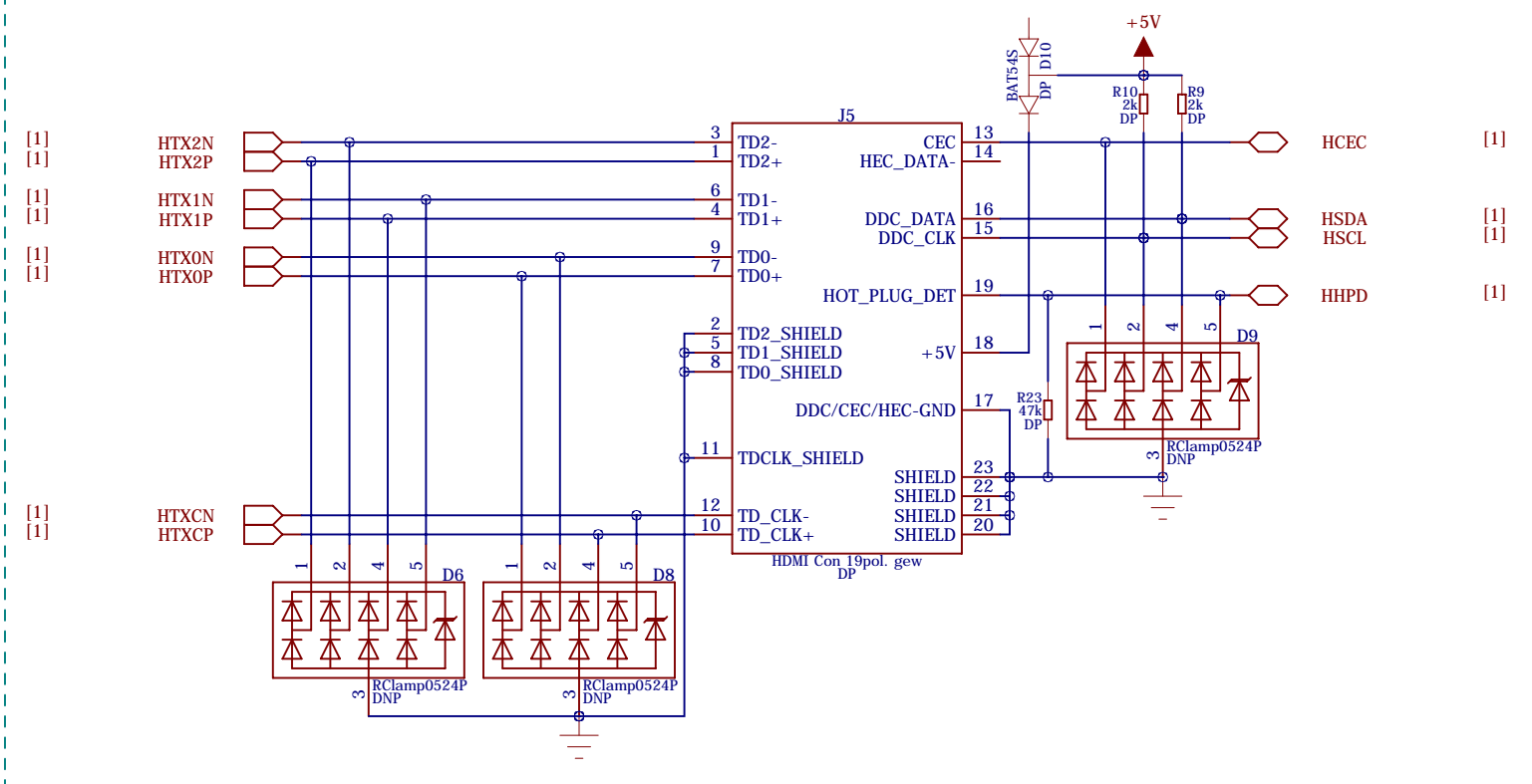
**In-Circuit GmbH**  
Boltenhagener Str. 124  
D-01109 Dresden

PROJECT TITLE:  
**610000286: ADB4006**

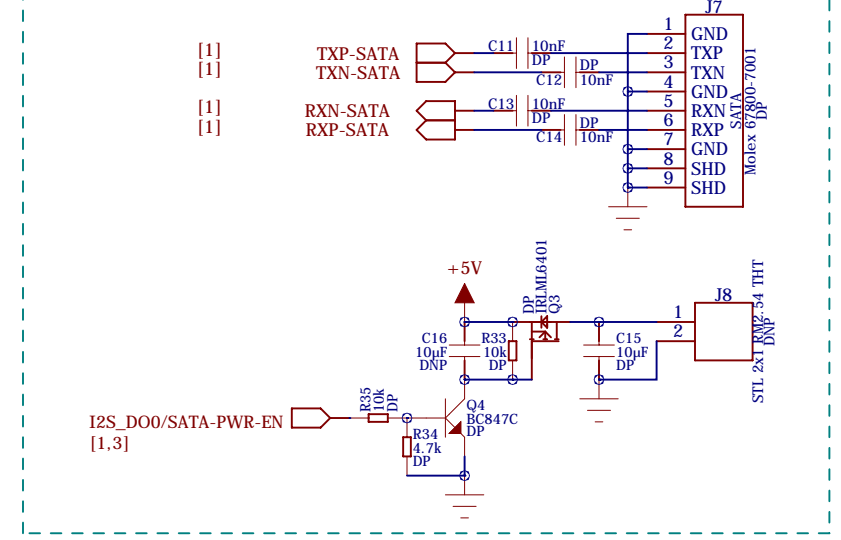
BOARD NO <b>625000287A</b>	SHEET TITLE <b>2_ETH/<math>\mu</math>SD/USB/SOUND</b>	SIZE: <b>A3</b>	REV: <b>A</b>
DRAWN: <b>Jörg Träger</b>	DATED: <b>2014</b>	RELEASED: <b>-</b>	DATED:
CHECKED: <b>-</b>	DATED: <b>-</b>	LAST SAVED <b>05.10.2014</b>	SHEET: <b>2 OF 4</b>



**HDMI**

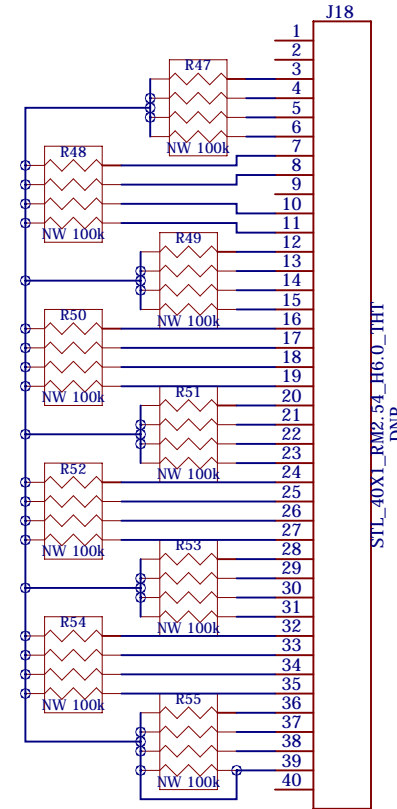
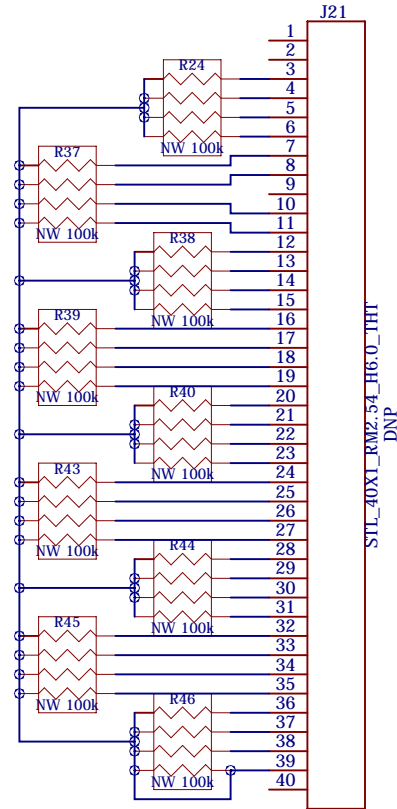
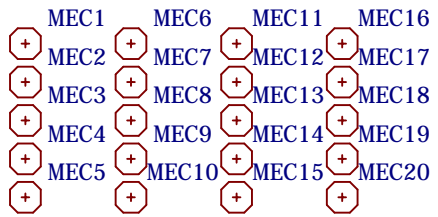
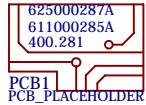


**SATA**



**In-Circuit GmbH**  
 Boltenhagener Str. 124  
 D-01109 Dresden

PROJECT TITLE: <b>610000286: ADB4006</b>			
BOARD NO <b>625000287A</b>	SHEET TITLE <b>3_HDMI/SATA/CON</b>	SIZE: <b>A3</b>	REV: <b>A</b>
DRAWN: <b>Jörg Träger</b>	DATED: <b>2014</b>	RELEASED: <b>-</b>	DATED:
CHECKED: <b>-</b>	DATED: <b>-</b>	LAST SAVED <b>05.10.2014</b>	SHEET: <b>3 OF 4</b>



pinheaders for IO-selftest of ADB4006 breakout pins  
 place headers and start selftest script  
 as described on [wiki.in-circuit.de](http://wiki.in-circuit.de)



In-Circuit GmbH  
 Boltenhagener Str. 124  
 D-01109 Dresden

PROJECT TITLE: <b>610000286: ADB4006</b>			
BOARD NO <b>625000287A</b>	SHEET TITLE <b>4_MECHANICAL</b>	SIZE <b>A3</b>	REV: <b>A</b>
DRAWN: <b>Jörg Träger</b>	DATED: <b>2014</b>	RELEASED: -	DATED:
CHECKED: -	DATED: -	LAST SAVED <b>05.10.2014</b>	SHEET: <b>4 OF 4</b>