

Rev.	Description
A	initial version
B	
C	button for BSL added SWD header added
D	removed RP-SMA connector, added antenna corrected bottom silkscreen

A

A

B

B

C

C

D

D

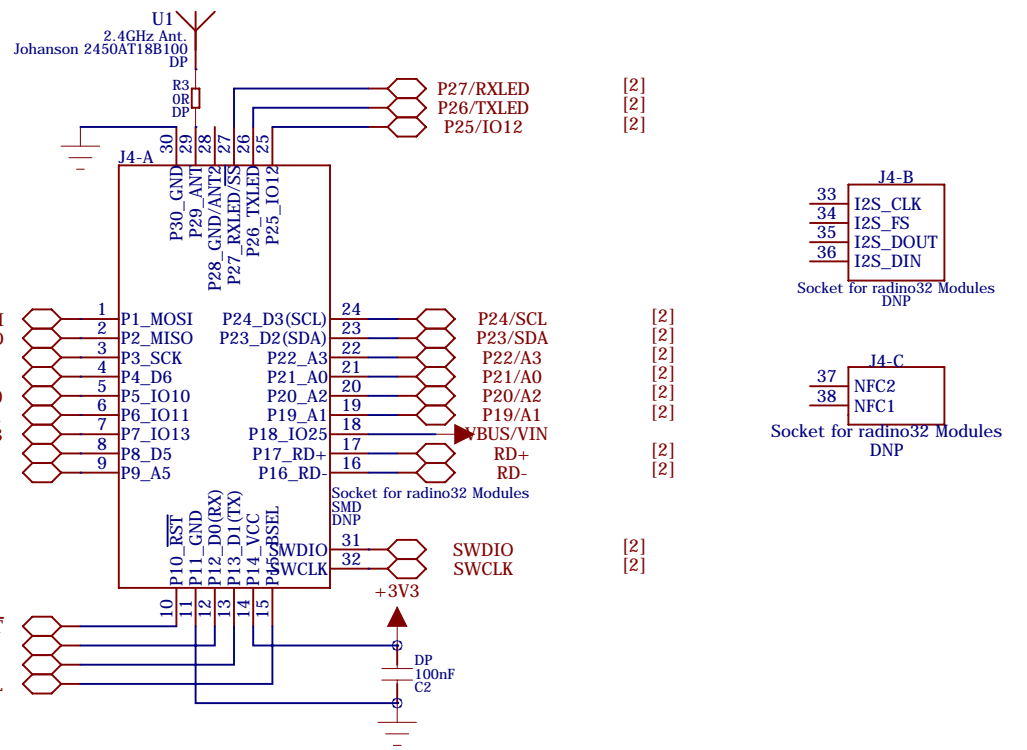
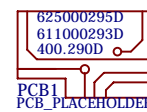
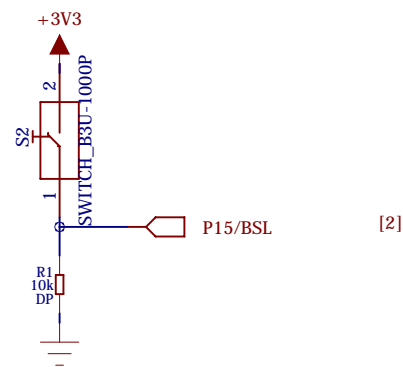
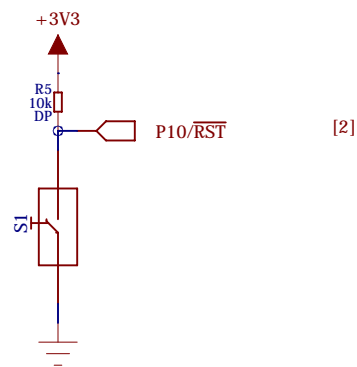
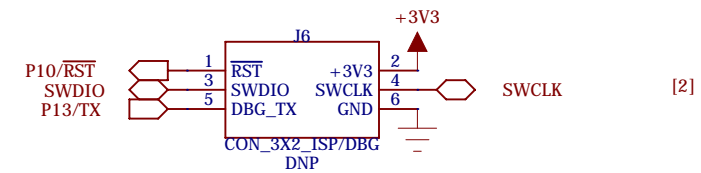
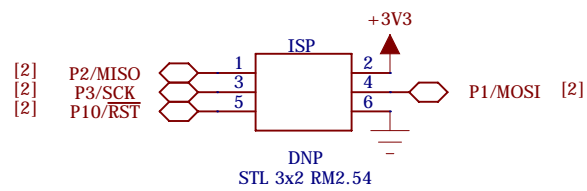
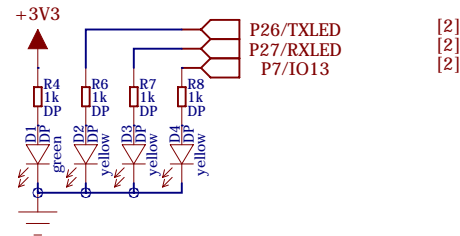
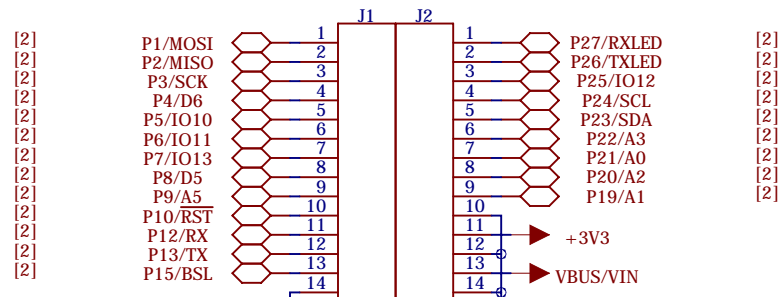
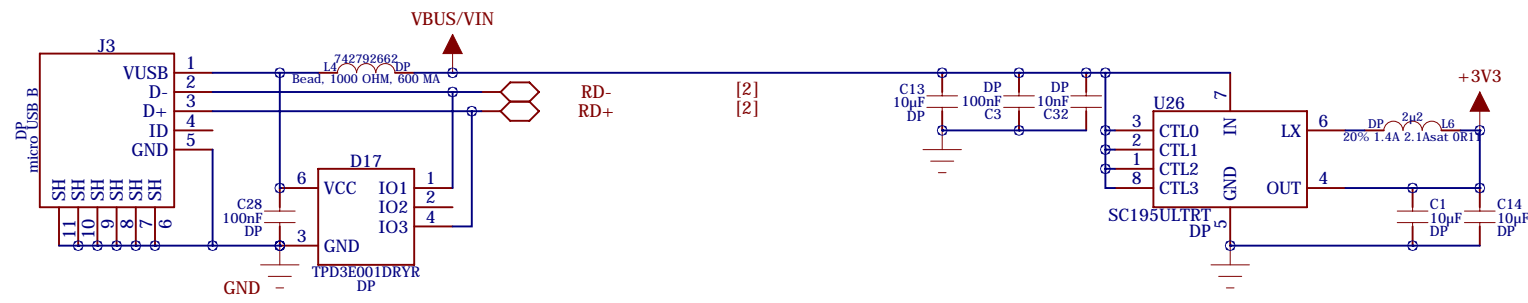
E

E



In-Circuit GmbH  
 Boltenhagener Str. 124  
 D-01109 Dresden  
 (C) Copyright by In-Circuit GmbH

PROJECT TITLE: 610000294: radino Spider			
BOARD NO 625000295D	SHEET TITLE 1_HISTORY	SIZE: A3	REV: D
DRAWN: Karsten Stork	DATED: 11/2014	RELEASED: -	DATED:
CHECKED: -	DATED: -	LAST SAVED 24.01.2017	SHEET: 1 OF 2



**In-Circuit GmbH**  
 Boltenhagener Str. 124  
 D-01109 Dresden  
 (C) Copyright by In-Circuit GmbH

PROJECT TITLE: <b>610000294: radino Spider</b>			
BOARD NO <b>625000295D</b>	SHEET TITLE <b>2_MAIN</b>	SIZE <b>A3</b>	REV: <b>D</b>
DRAWN: <b>Karsten Stork</b>	DATED: <b>11/2014</b>	RELEASED: -	DATED:
CHECKED: -	DATED: -	LAST SAVED <b>24.01.2017</b>	SHEET: <b>2 OF 2</b>