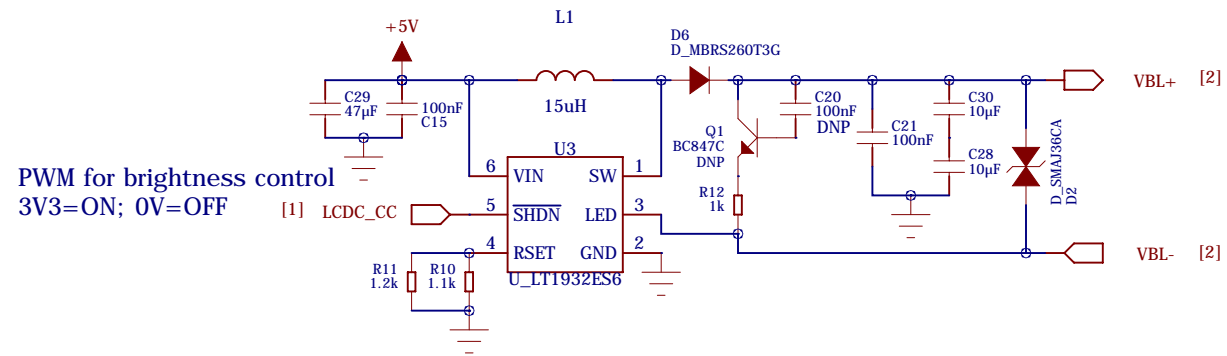


**In-Circuit GmbH**  
 Boltenhagener Str. 124  
 D-01109 Dresden  
 (C) Copyright by In-Circuit GmbH

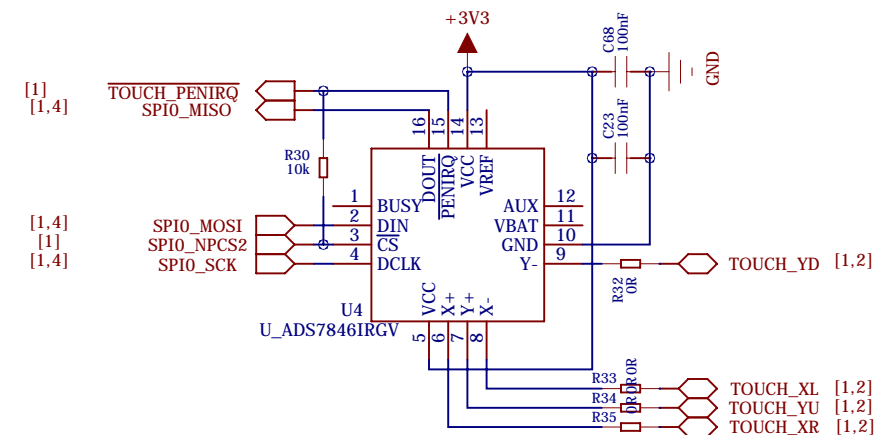
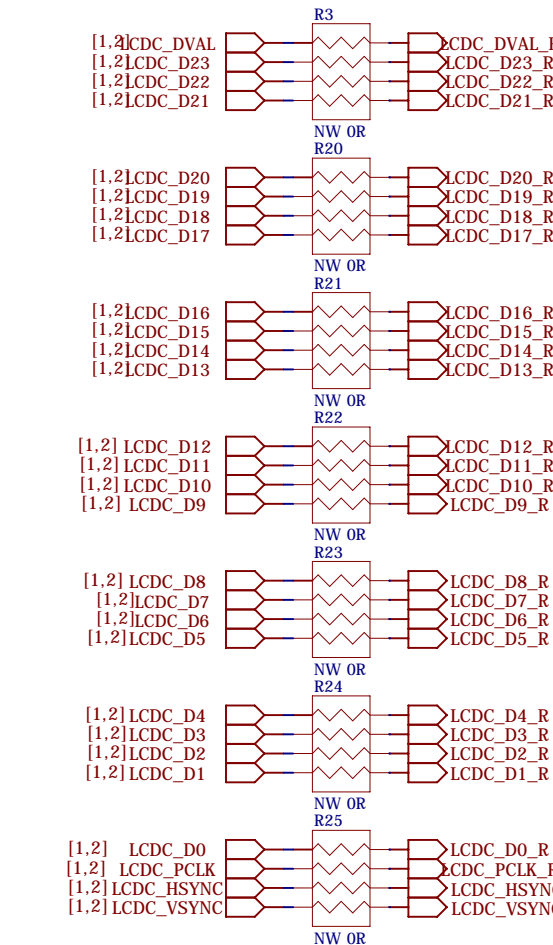
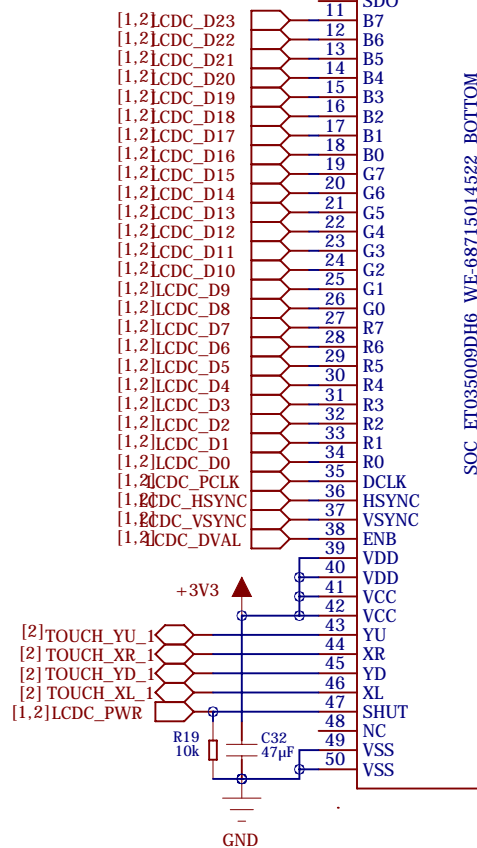
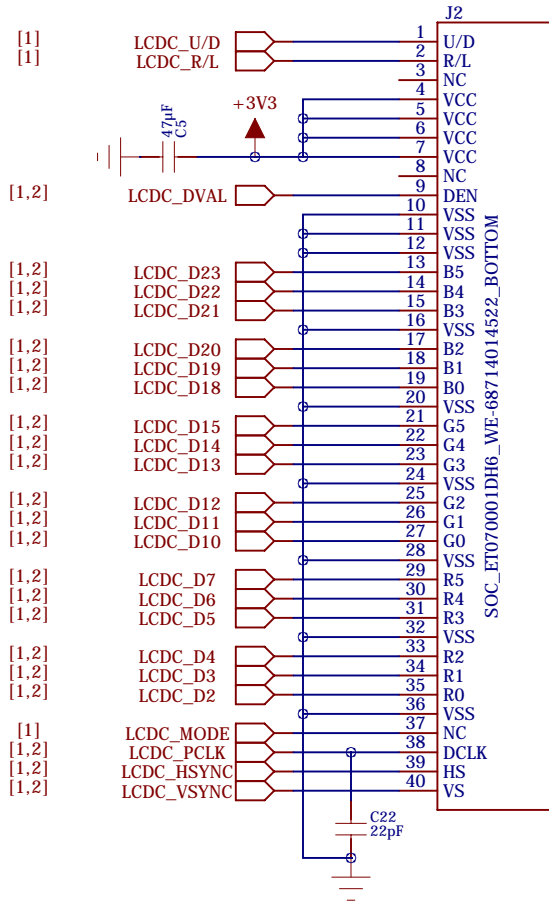
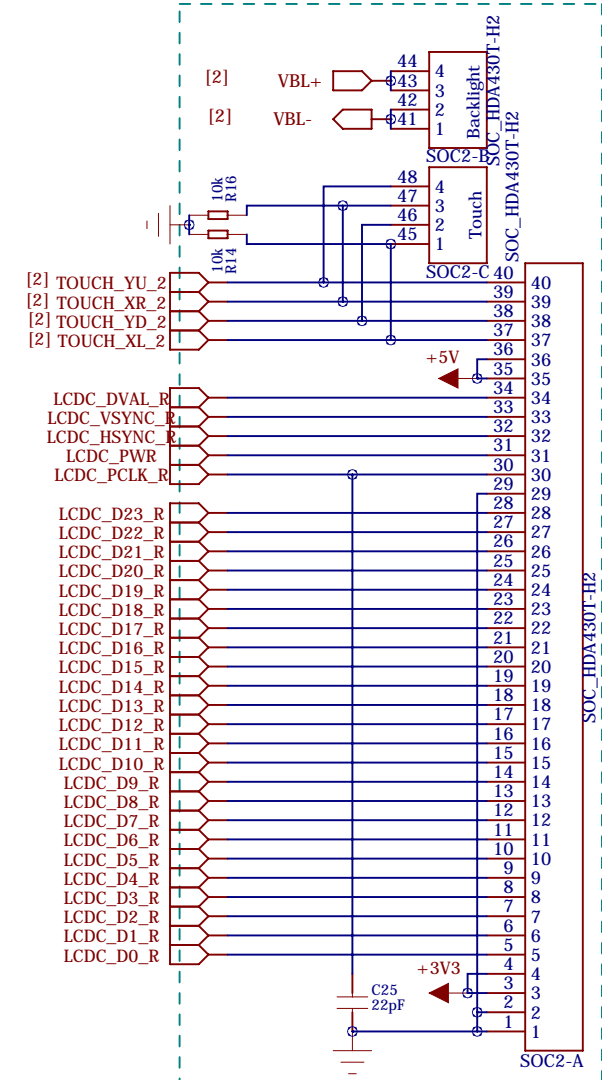
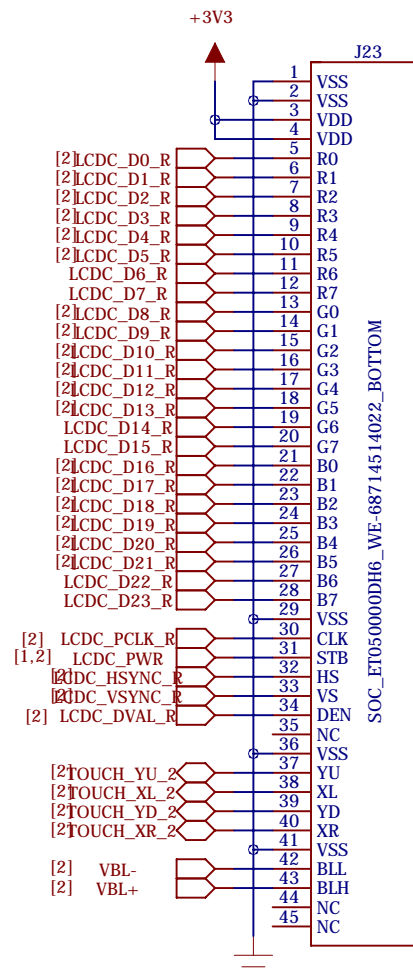
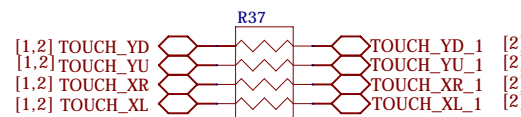
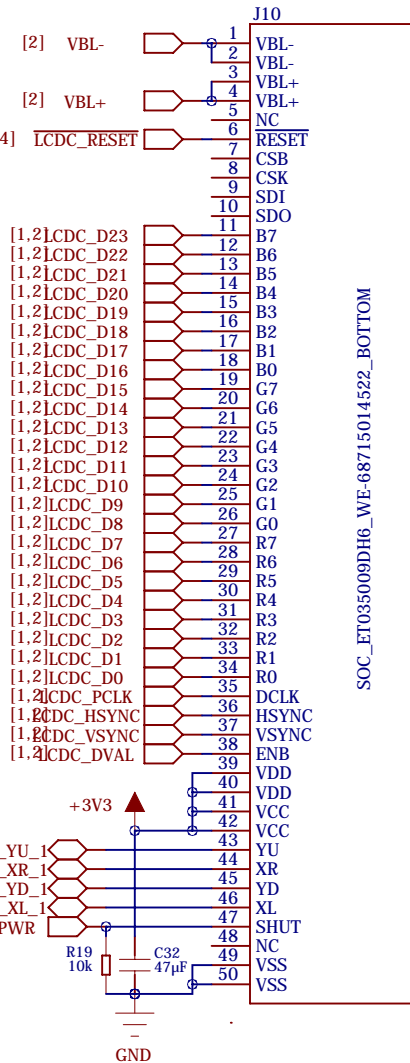
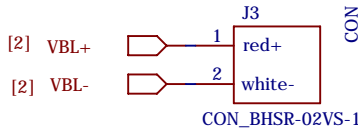
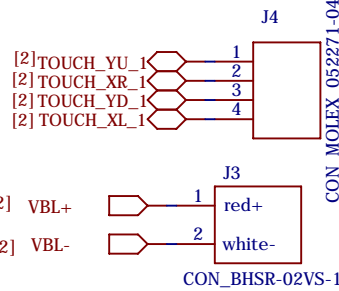
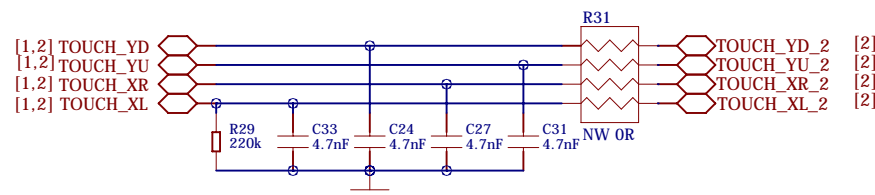
PROJECT TITLE:  
**610000132: ICT ADB1004**

BOARD NO <b>625000129B</b>	SHEET TITLE <b>ICNOVA_SAM9G45_OEM</b>	SIZE: <b>A3</b>	REV: <b>A</b>
DRAWN: <b>Karsten Stork</b>	DATED: <b>26.01.2010</b>	RELEASED: <b>-</b>	DATED:
CHECKED: <b>-</b>	DATED: <b>-</b>	LAST SAVED <b>17.09.2014</b>	SHEET: <b>1 OF 5</b>



PWM for brightness control  
3V3=ON; 0V=OFF

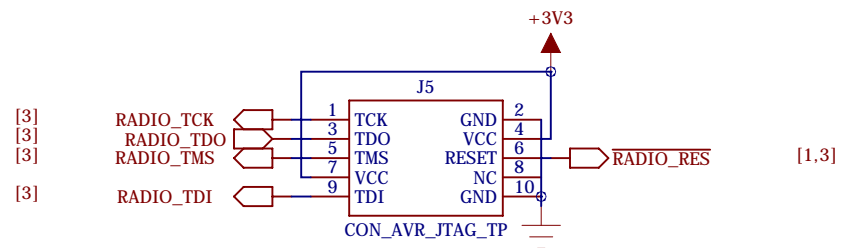
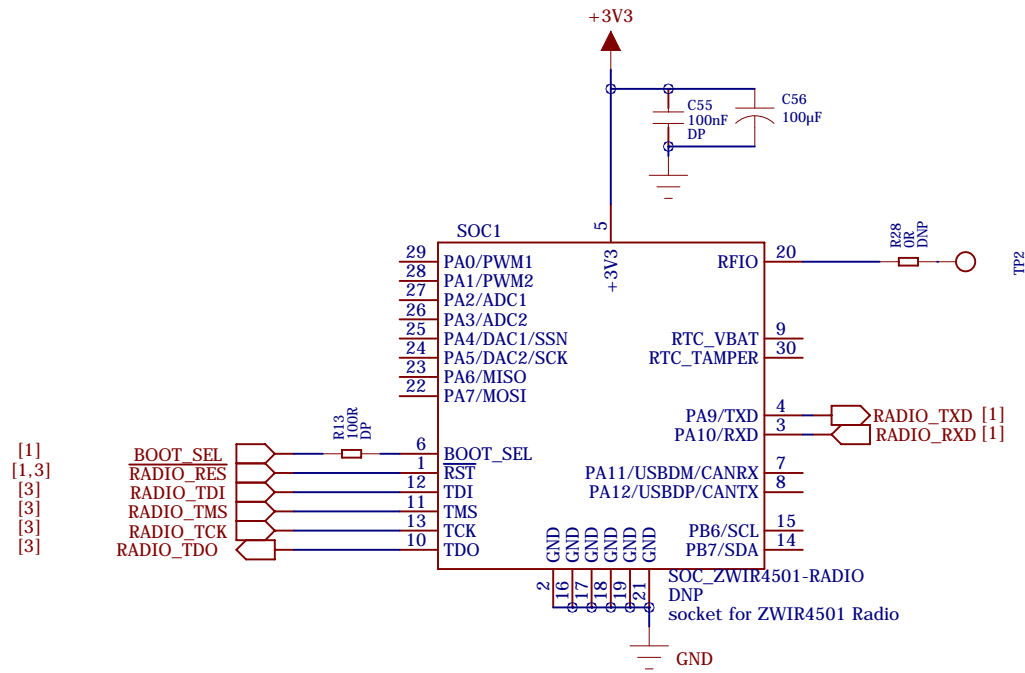
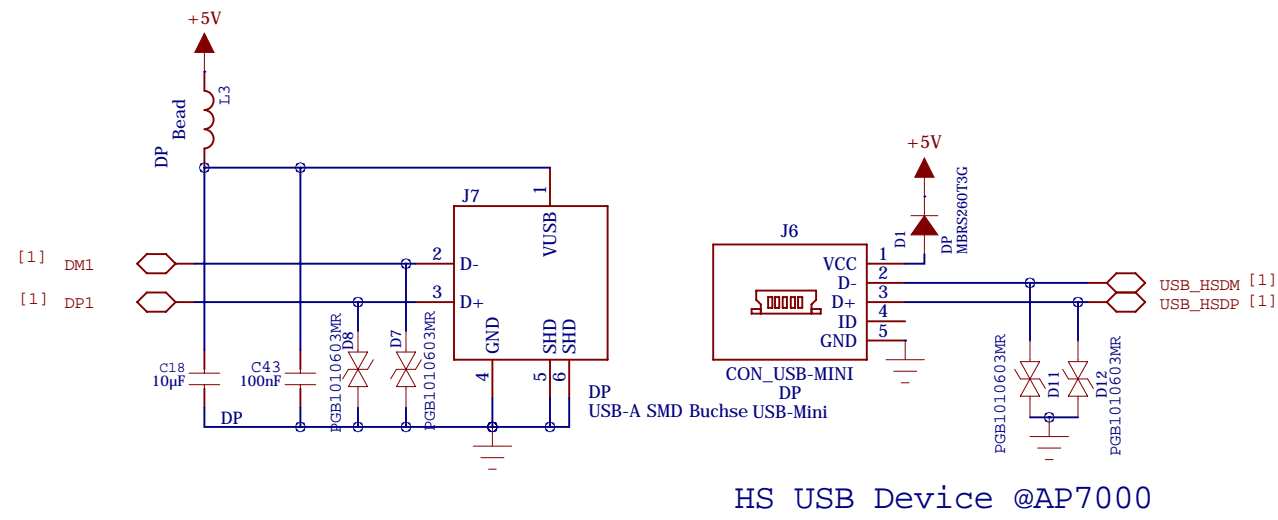
Größe	Display	R10	R11	Rset	Idisp (mA)	
3,5	ET035009DH6	->	1100	nc ->	1100 ->	20,45
4,3	HDA430T-H2	->	1100	nc ->	1100 ->	20,45
4,3	ET043000DH6	->	1200	1200 ->	600 ->	37,50
5	ET050000DH6	->	560	nc ->	560 ->	40,18
7	ET070001DH6	->	150	nc ->	150 ->	150,00



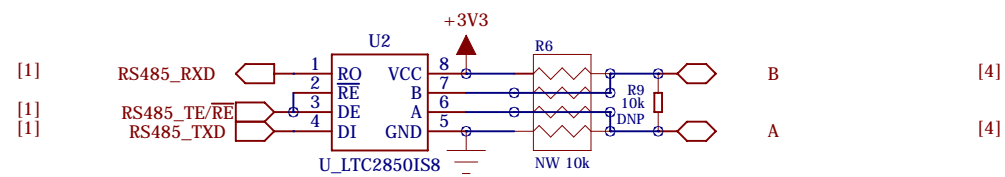
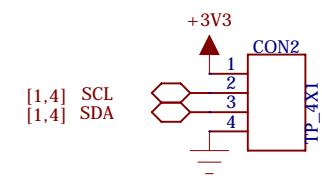
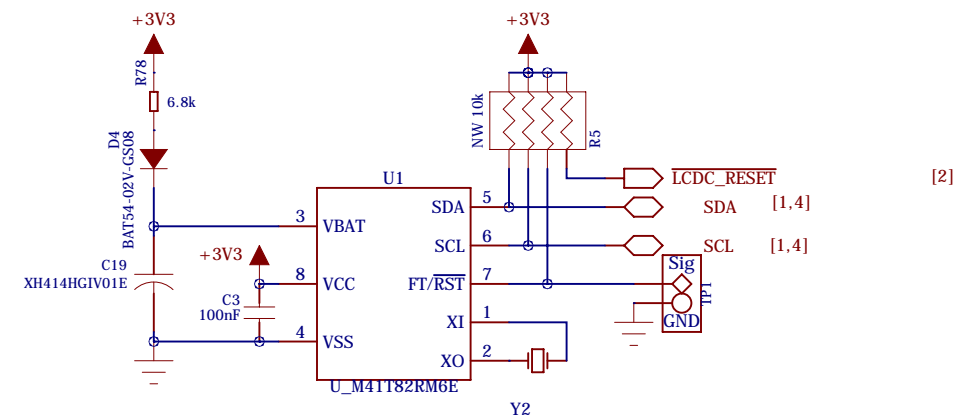
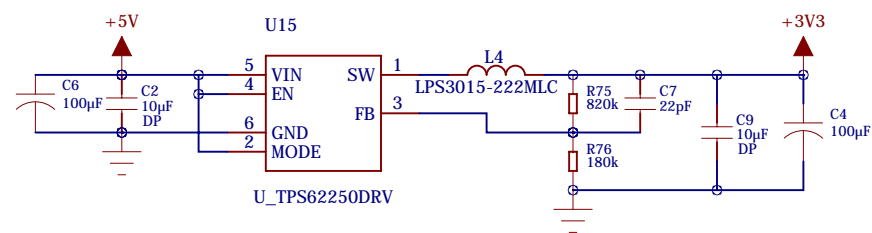
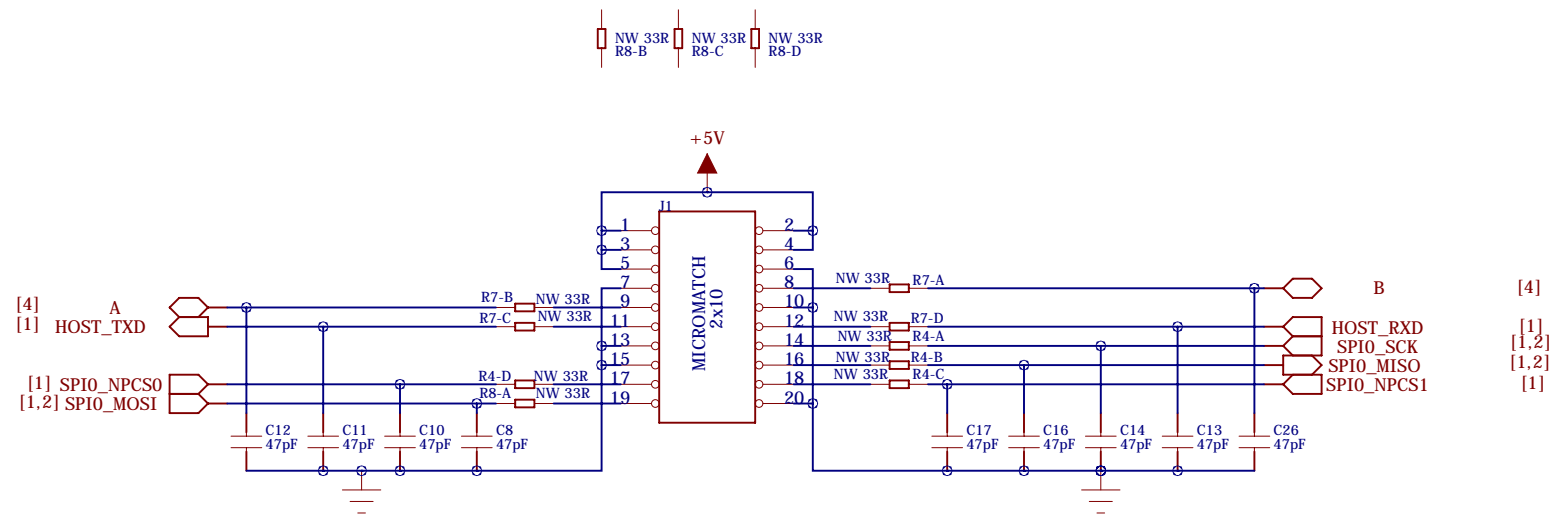
**In-Circuit GmbH**  
Boltenhagener Str. 124  
D-01109 Dresden  
(C) Copyright by In-Circuit GmbH

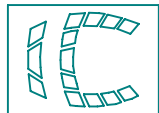
PROJECT TITLE:  
**610000132: ICT ADB1004**

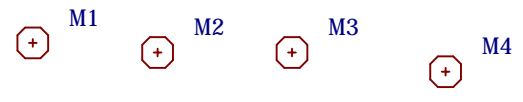
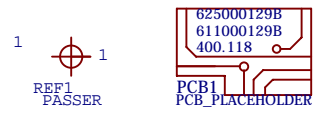
BOARD NO <b>625000129B</b>	SHEET TITLE <b>ONBOARD-GRAPHIC</b>	SIZE: <b>A3</b>	REV: <b>A</b>
DRAWN: <b>Karsten Stork</b>	DATED: <b>26.01.2010</b>	RELEASED: <b>-</b>	DATED:
CHECKED: <b>-</b>	DATED: <b>-</b>	LAST SAVED <b>17.09.2014</b>	SHEET: <b>2 OF 5</b>



<b>In-Circuit GmbH</b> Boltenhagener Str. 124 D-01109 Dresden <b>(C) Copyright by In-Circuit GmbH</b>			
PROJECT TITLE:			
<b>610000132: ICT ADB1004</b>			
BOARD NO	SHEET TITLE	SIZE:	REV:
<b>625000129B</b>	<b>USB/RADIO</b>	<b>A3</b>	<b>A</b>
DRAWN:	DATED:	RELEASED:	DATED:
<b>Karsten Stork</b>	<b>26.01.2010</b>	-	
CHECKED:	DATED:	LAST SAVED	SHEET: 3 OF 5
-	-	<b>17.09.2014</b>	



 <b>In-Circuit GmbH</b> Boltenhagener Str. 124 D-01109 Dresden (C) Copyright by In-Circuit GmbH			
PROJECT TITLE: <b>610000132: ICT ADB1004</b>			
BOARD NO <b>625000129B</b>	SHEET TITLE <b>POWER/RTC/RS485</b>	SIZE: <b>A3</b>	REV: <b>A</b>
DRAWN: <b>Karsten Stork</b>	DATED: <b>26.01.2010</b>	RELEASED: <b>-</b>	DATED:
CHECKED: <b>-</b>	DATED:	LAST SAVED <b>17.09.2014</b>	SHEET: <b>4 OF 5</b>



**In-Circuit GmbH**  
 Boltenhagener Str. 124  
 D-01109 Dresden  
 (C) Copyright by In-Circuit GmbH

PROJECT TITLE: <b>610000132: ICT ADB1004</b>			
BOARD NO <b>625000129B</b>	SHEET TITLE <b>MECHANICAL</b>	SIZE <b>A3</b>	REV: <b>A</b>
DRAWN: <b>Karsten Stork</b>	DATED: <b>26.01.2010</b>	RELEASED: -	DATED:
CHECKED: -	DATED: -	LAST SAVED <b>17.09.2014</b>	SHEET: <b>5 OF 5</b>