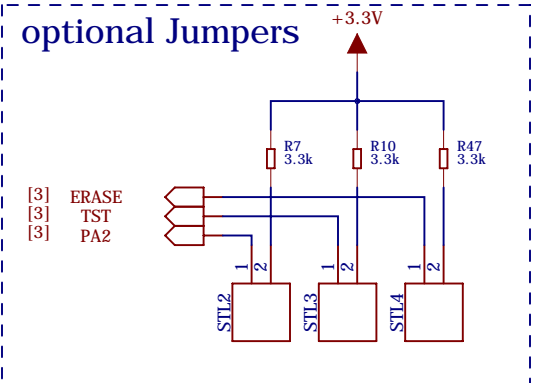
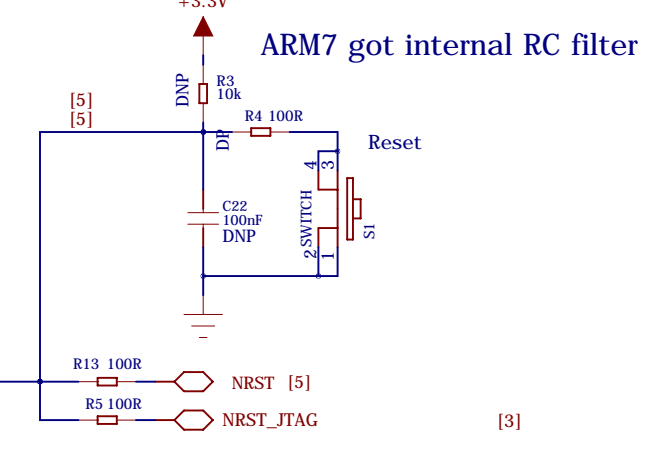
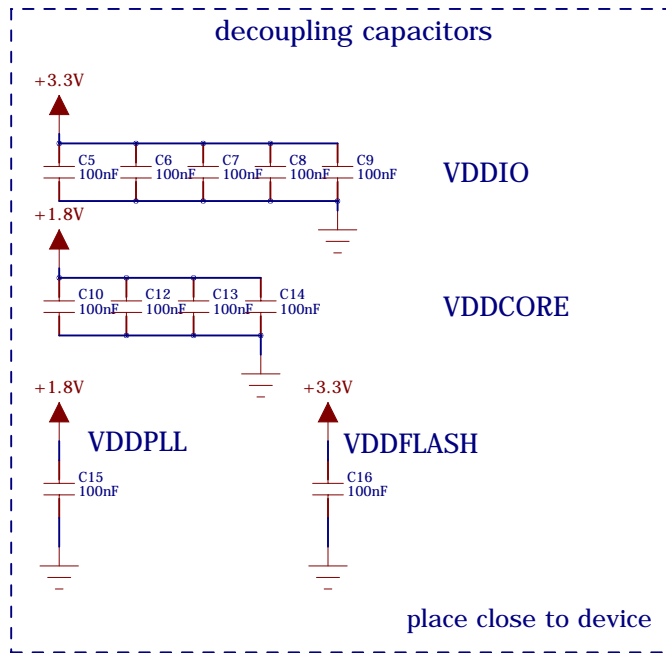


VDDout draws max. 100mA

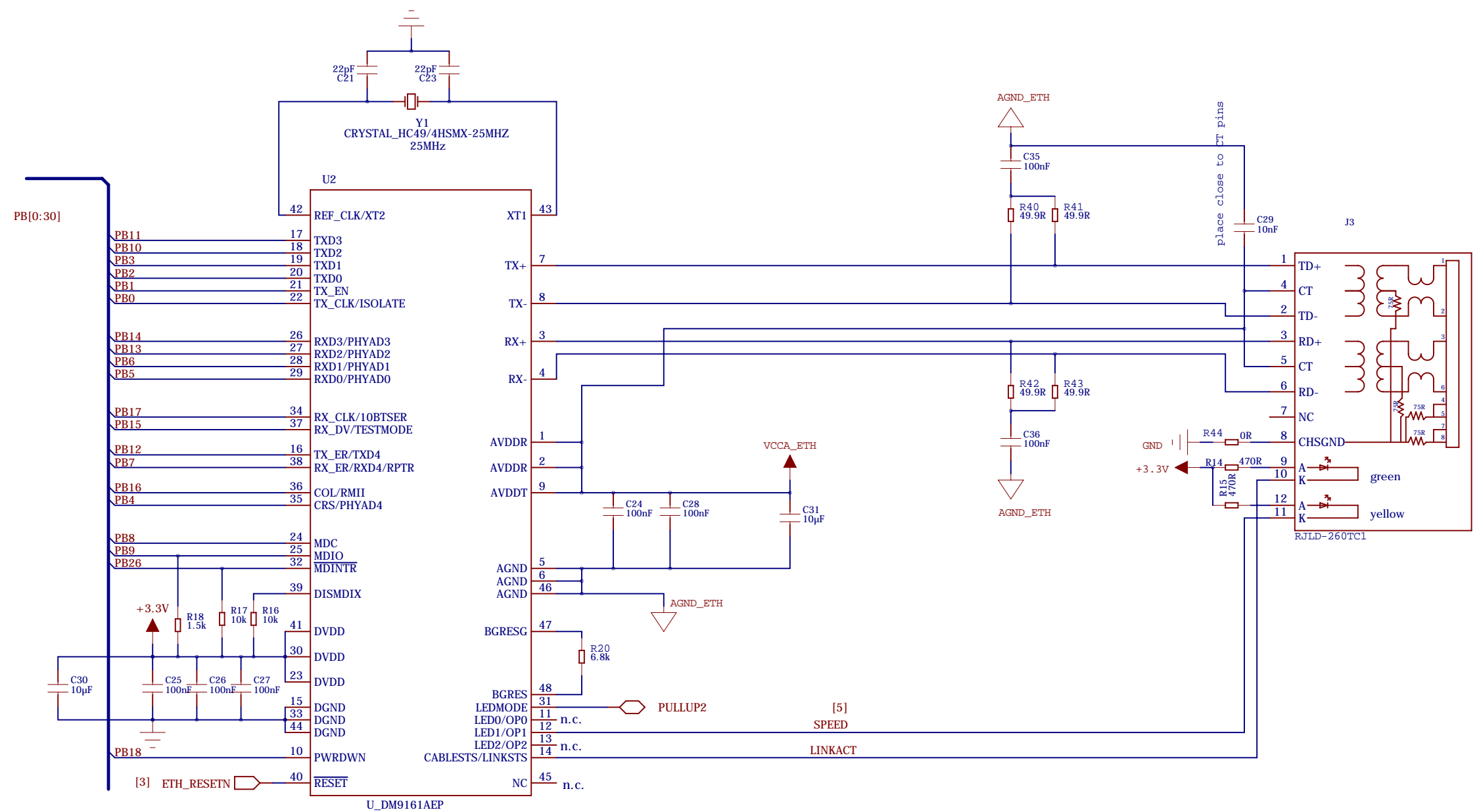


©Copyright by In-Circuit GmbH

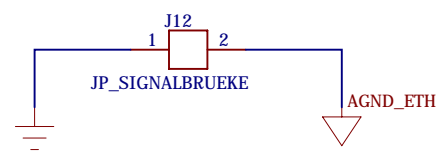
In-Circuit GmbH
Boltenhagener Str. 124
D-01109 Dresden
(C) Copyright by In-Circuit GmbH

PROJECT TITLE:
610000003: ICswift SAM7

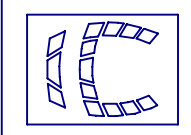
BOARD NO 625000003C	SHEET TITLE AT91SAM7XC256	SIZE: A3	REV: C
DRAWN: Lars Träger	DATED: 11.03.2009	RELEASED: Lars Träger	DATED:
CHECKED: Karsten Stork	DATED: 11.03.2009	LAST SAVED: 08.02.2017	SHEET: 3 OF 9



NOTE:
 Chasis GND needs to be separated from AGND!
 connect AGND and Chasis GND with narrow copper path

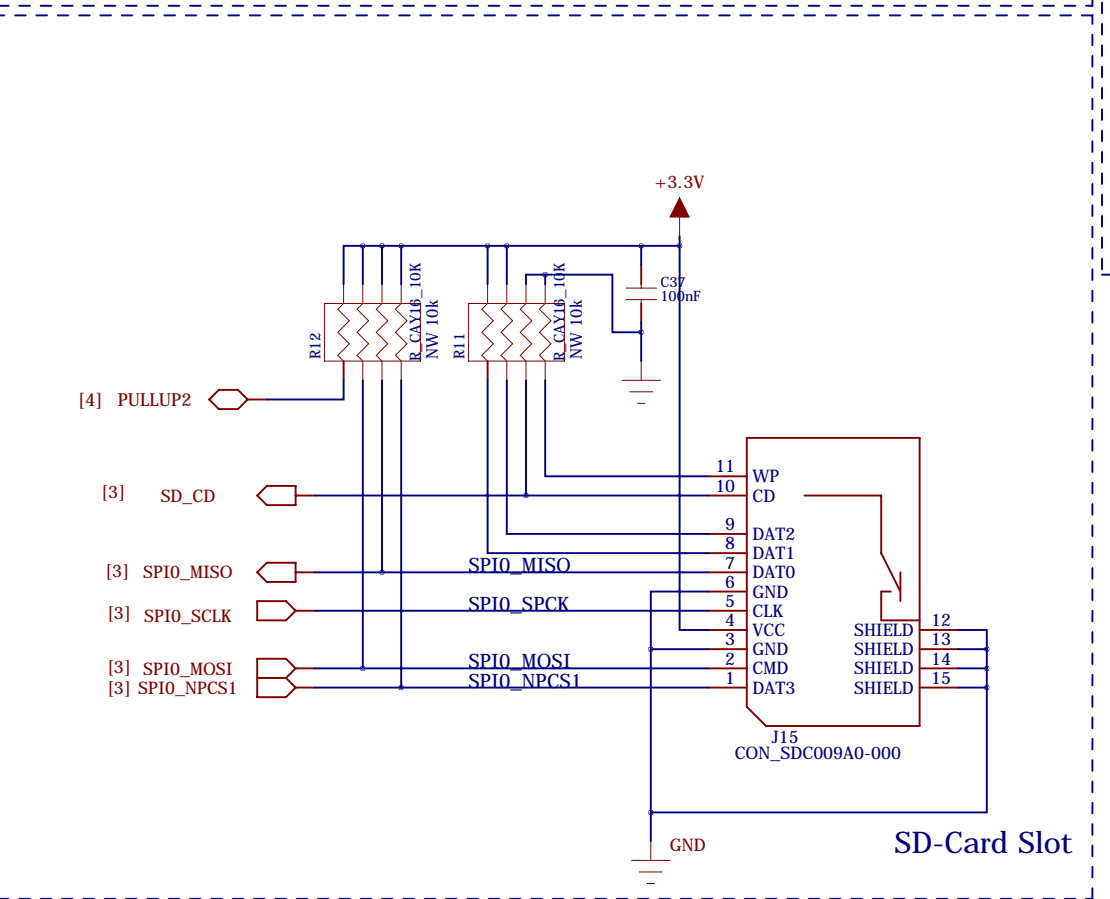
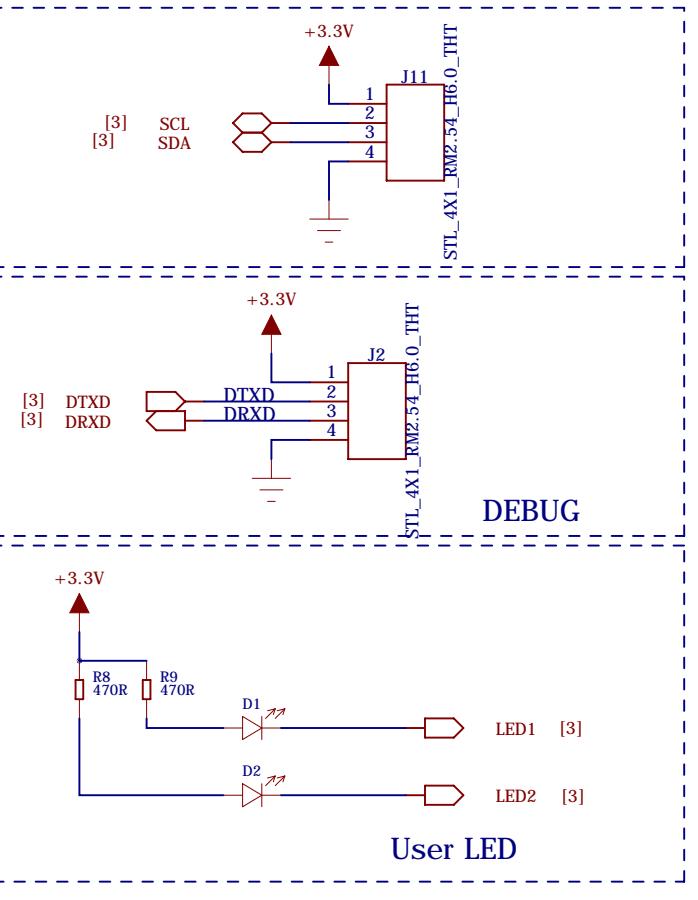
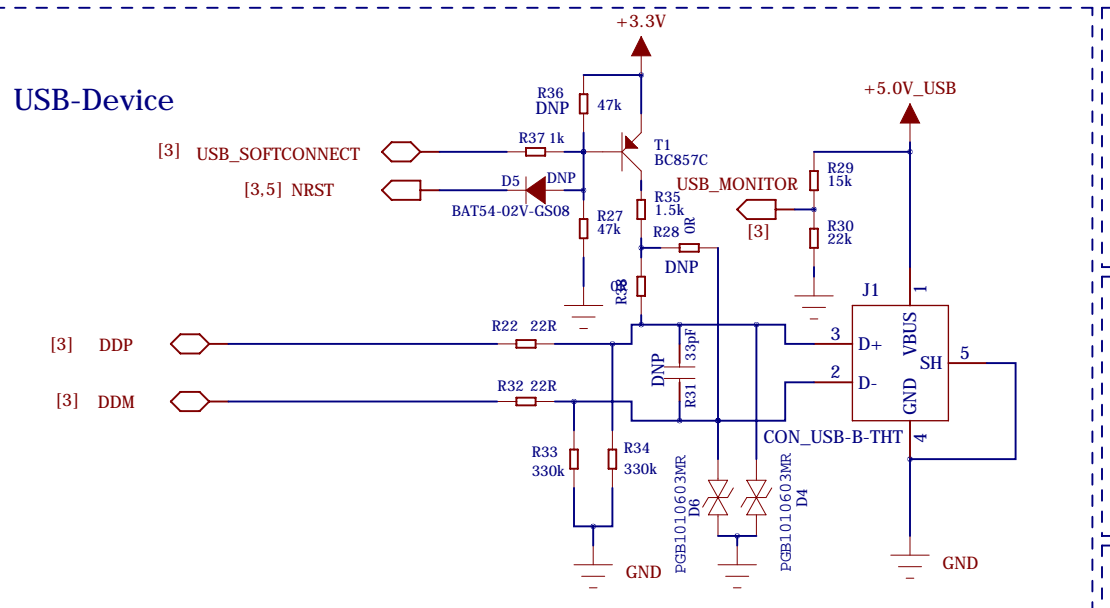
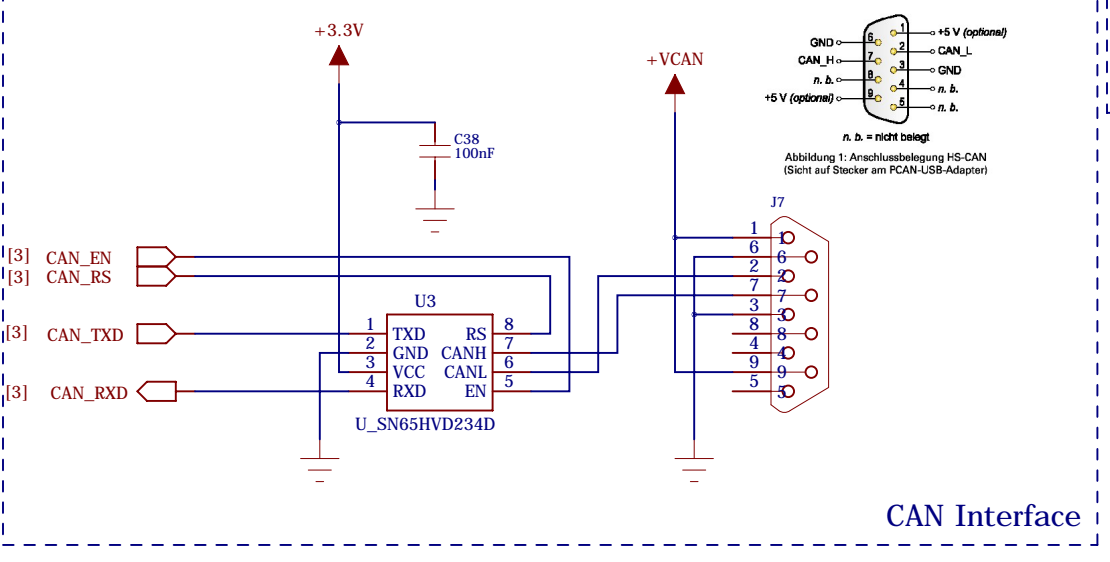
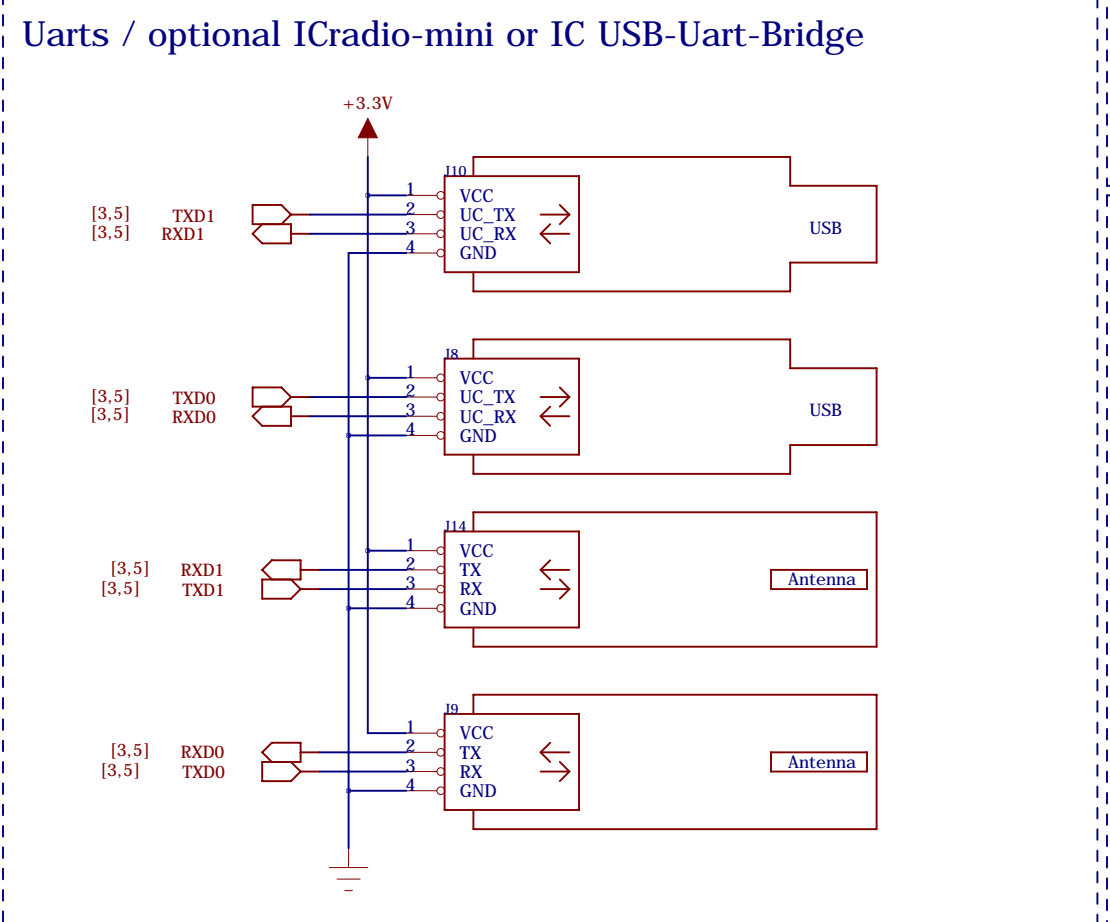
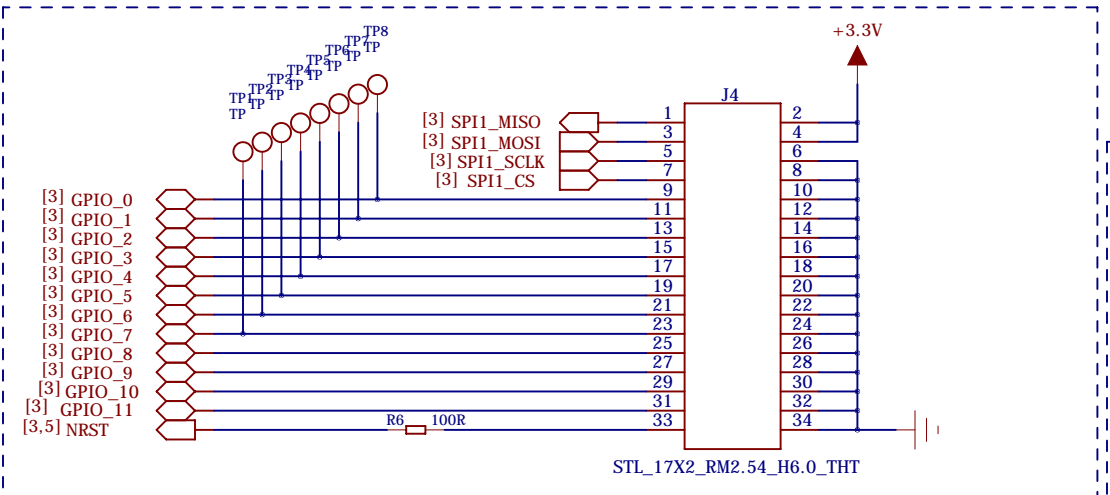


©Copyright by In-Circuit GmbH

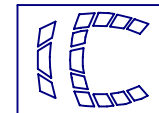


In-Circuit GmbH
 Boltenhagener Str. 124
 D-01109 Dresden
 (C) Copyright by In-Circuit GmbH

PROJECT TITLE: 610000003: ICswift SAM7			
BOARD NO 625000003C	SHEET TITLE ETHERNET	SIZE: A3	REV: C
DRAWN: Lars Träger	DATED: 11.03.2009	RELEASED: Lars Träger	DATED:
CHECKED: Karsten Stork	DATED: 11.03.2009	LAST SAVED 08.02.2017	SHEET: 4 OF 9

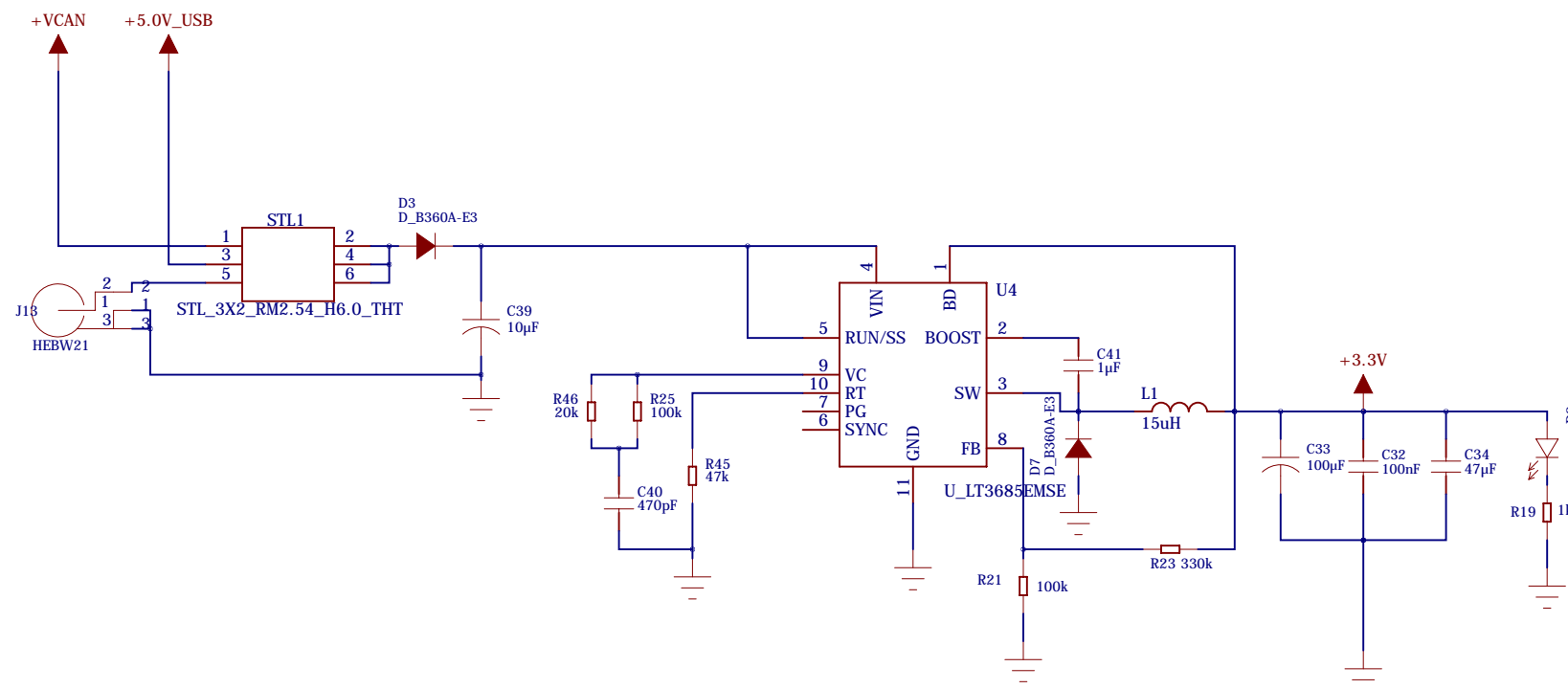


©Copyright by In-Circuit GmbH

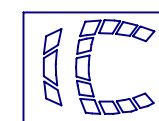
 In-Circuit GmbH
Boltenhagener Str. 124
D-01109 Dresden
(C) Copyright by In-Circuit GmbH

PROJECT TITLE:
610000003: ICswift SAM7

BOARD NO 625000003C	SHEET TITLE INTERFACE	SIZE A3	REV: C
DRAWN: Lars Träger	DATED: 11.03.2009	RELEASED: Lars Träger	DATED:
CHECKED: Karsten Stork	DATED: 11.03.2009	LAST SAVED 08.02.2017	SHEET: 5 OF 9



©Copyright by In-Circuit GmbH



In-Circuit GmbH
 Boltenhagener Str. 124
 D-01109 Dresden

(C) Copyright by In-Circuit GmbH

PROJECT TITLE:

610000003: ICswift SAM7

BOARD NO

625000003C

SHEET TITLE

POWER

SIZE:

A3

REV:

C

DRAWN:

Lars Träger

DATED:

11.03.2009

RELEASED:

Lars Träger

DATED:

CHECKED:

Karsten Stork

DATED:

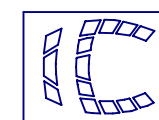
11.03.2009

LAST SAVED

08.02.2017

SHEET: 6 OF 9

©Copyright by In-Circuit GmbH



In-Circuit GmbH
Boltenhagener Str. 124
D-01109 Dresden

(C) Copyright by In-Circuit GmbH

PROJECT TITLE:

610000003: ICswift SAM7

BOARD NO

625000003C

SHEET TITLE

MECHANICAL

SIZE:

A3

REV:

C

DRAWN:

Lars Träger

DATED:

11.03.2009

RELEASED:

Lars Träger

DATED:

CHECKED:

Karsten Stork

DATED:

11.03.2009

LAST SAVED

08.02.2017

SHEET: 7 OF 9

