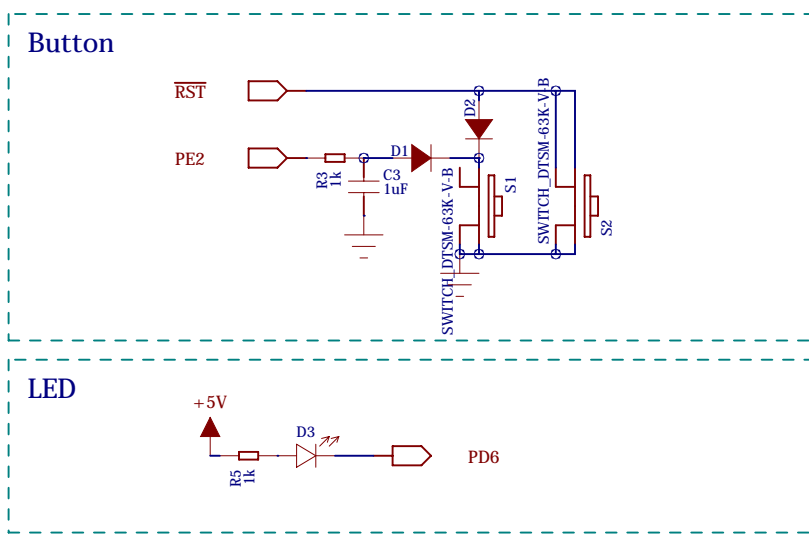
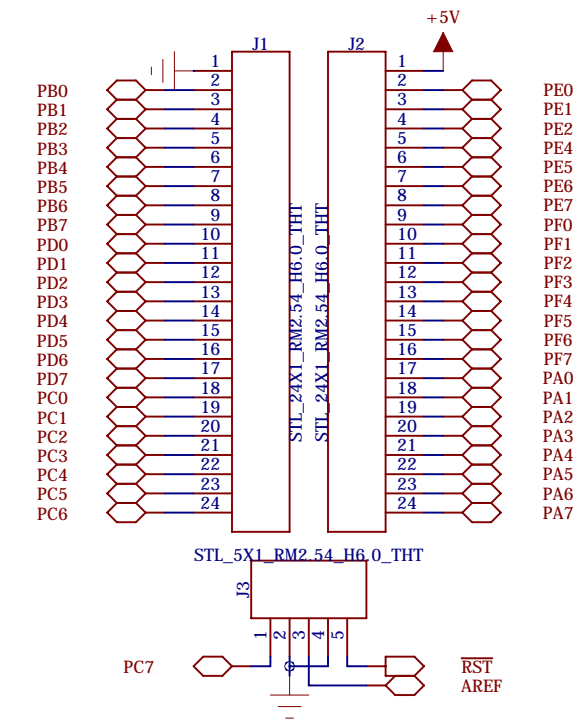



PA0/AD0	51	PA0
PA1/AD1	50	PA1
PA2/AD2	49	PA2
PA3/AD3	48	PA3
PA4/AD4	47	PA4
PA4/AD5	46	PA5
PA6/AD6	45	PA6
PA7/AD7	44	PA7
PB0/SS/PCINT0	10	PB0
PB1/SCLK/PCINT1	11	PB1
PB2/MOSI/PDI/PCINT2	12	PB2
PB3/MISO/PDO/PCINT3	13	PB3
PB4/OC2A/PCINT4	14	PB4
PB5/OC1A/PCINT5	15	PB5
PB6/OC1B/PCINT6	16	PB6
PB7/OC0A/OC1C/PCINT7	17	PB7
PC0/A8	35	PC0
PC1/A9	36	PC1
PC2/A10	37	PC2
PC3/A11/T3	38	PC3
PC4/A12/OC3C	39	PC4
PC5/A13/OC3B	40	PC5
PC6/A14/OC3A	41	PC6
PC7/A15/IC3/CLKO	42	PC7
PD0/SCL/OC0B/INT0	25	PD0
PD1/SDA/OC2B/INT1	26	PD1
PD2/RXD1/INT2	27	PD2
PD3/TXD1/INT3	28	PD3
PD4/ICP1	30	PD4
PD5/XCK1	31	PD5
PD6/T1	32	PD6
PD7/T0	32	PD7
PF0/ADC0	61	PF0
PF1/ADC1	60	PF1
PF2/ADC2	59	PF2
PF3/ADC3	58	PF3
PF4/ADC4/TCK	57	PF4
PF5/ADC5/TMS	56	PF5
PF6/ADC6/TDO	55	PF6
PF7/ADC7/TDI	54	PF7





In-Circuit GmbH
 Boltenhagener Str. 124
 D-01109 Dresden
 (C) Copyright by In-Circuit GmbH

PROJECT TITLE:
610000163: AT90USB-Evalboard

BOARD NO 625000161A	SHEET TITLE MAIN	SIZE: A3	REV: A
DRAWN: Karsten Stork	DATED: 10.09.2010	RELEASED: -	DATED:
CHECKED: -	DATED: -	LAST SAVED 08.02.2017	SHEET: 1 OF 1

