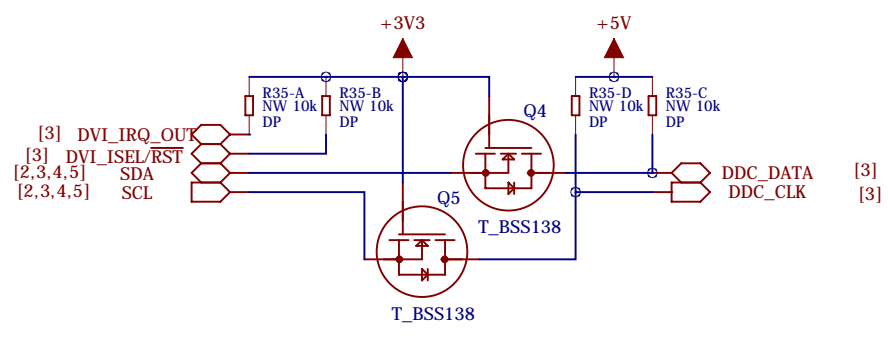
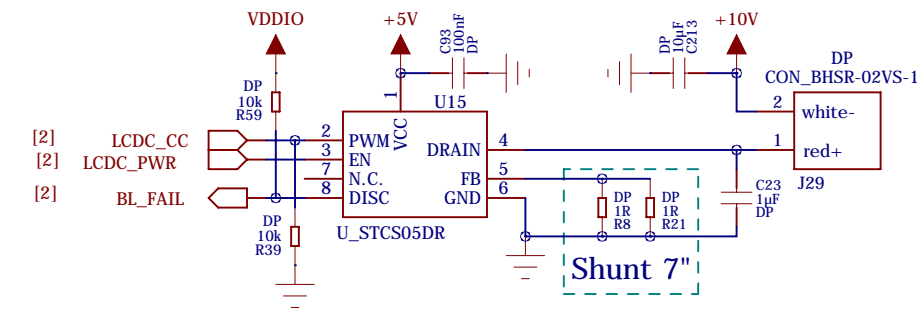
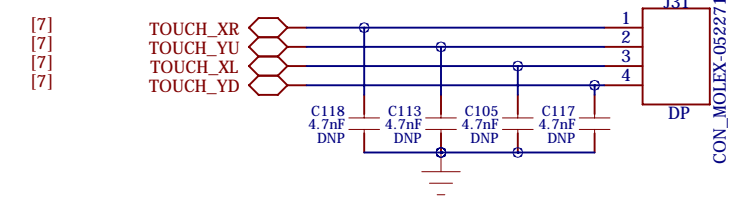
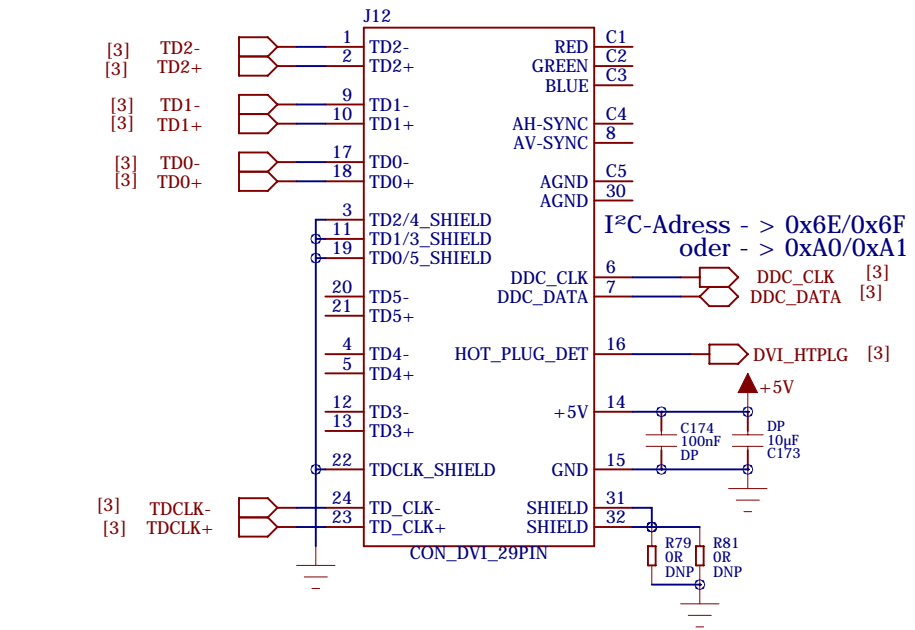
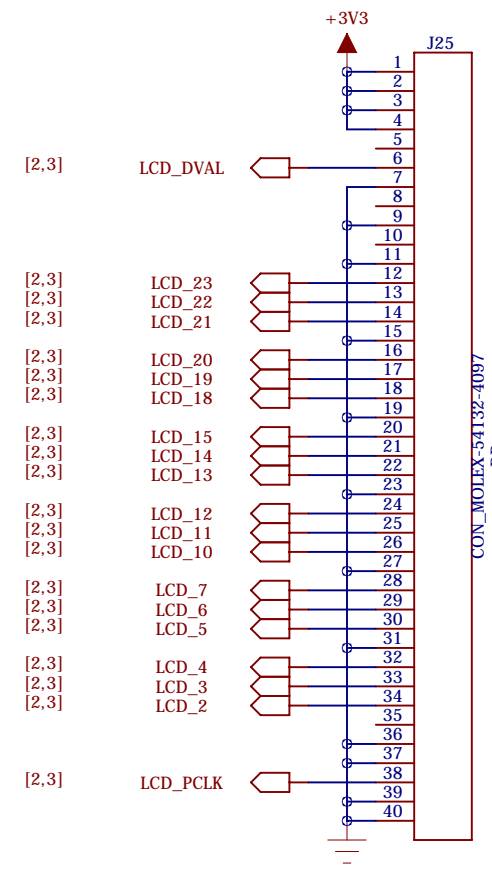
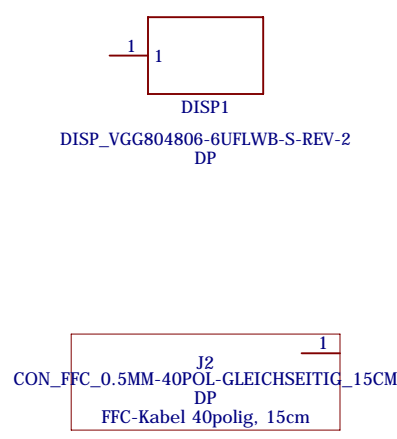
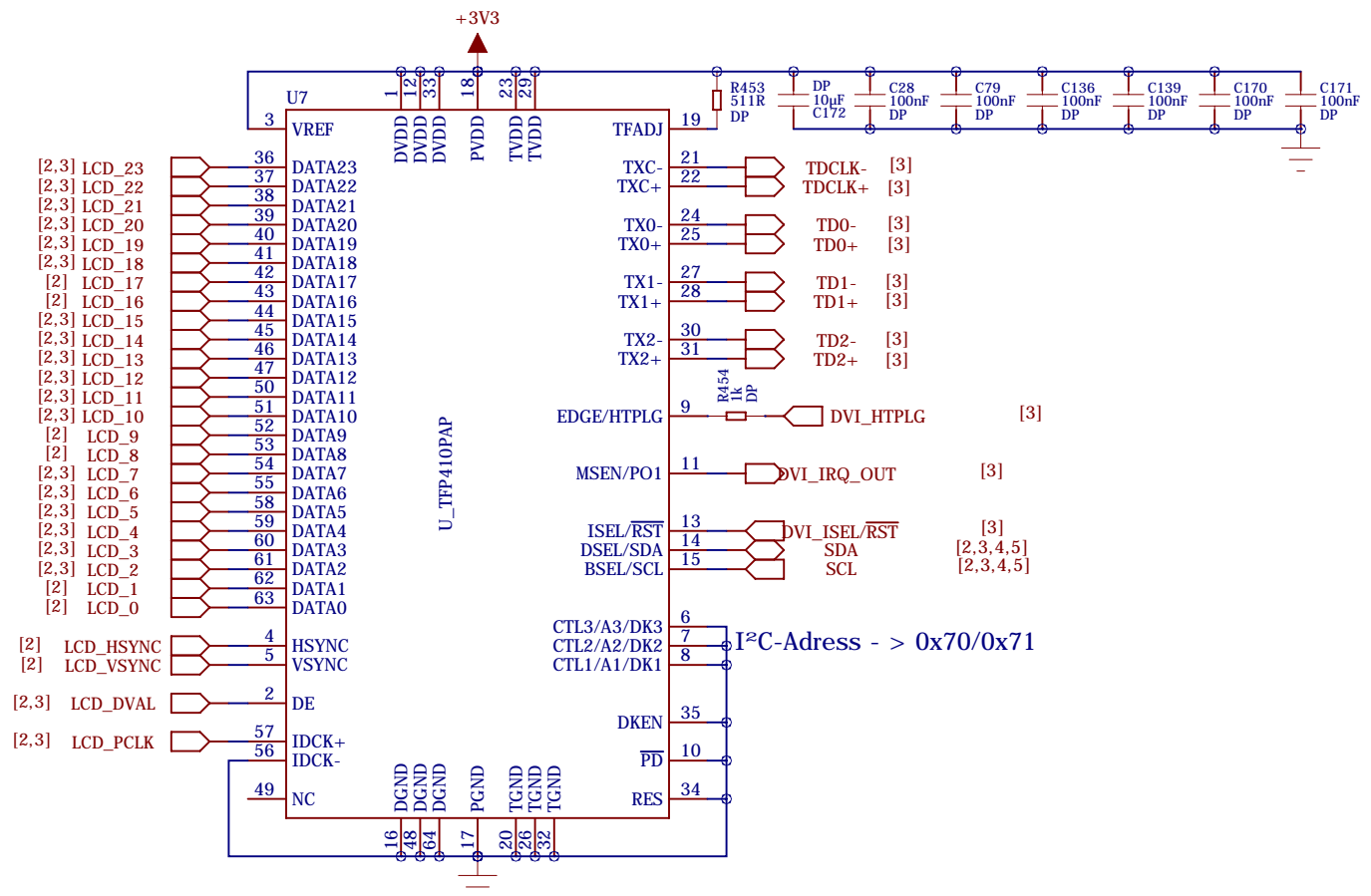


In-Circuit GmbH
 Boltenhagener Str. 124
 D-01109 Dresden
 (C) Copyright by In-Circuit GmbH

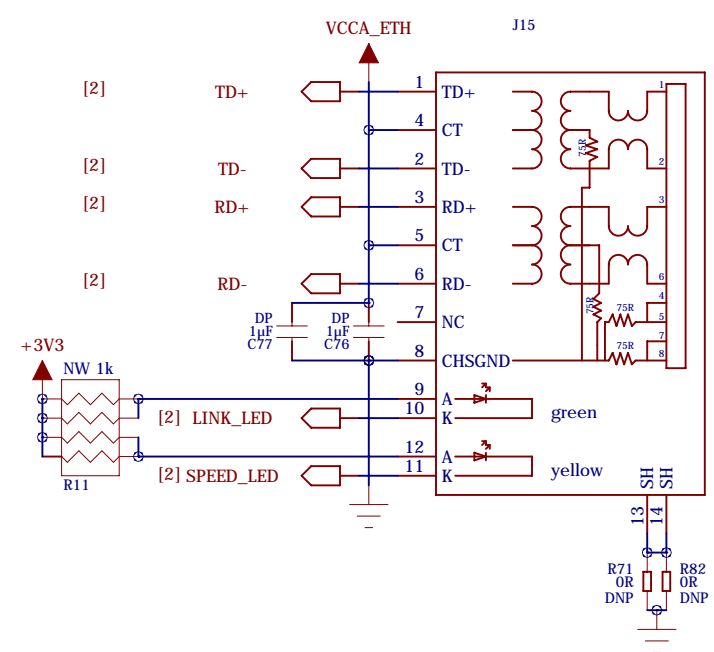
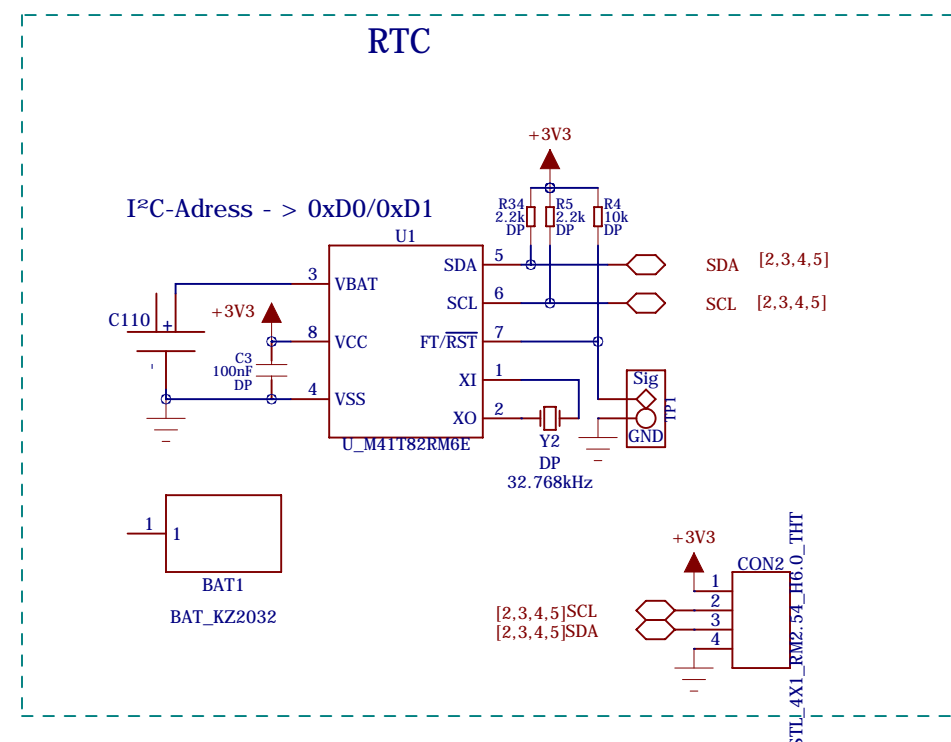
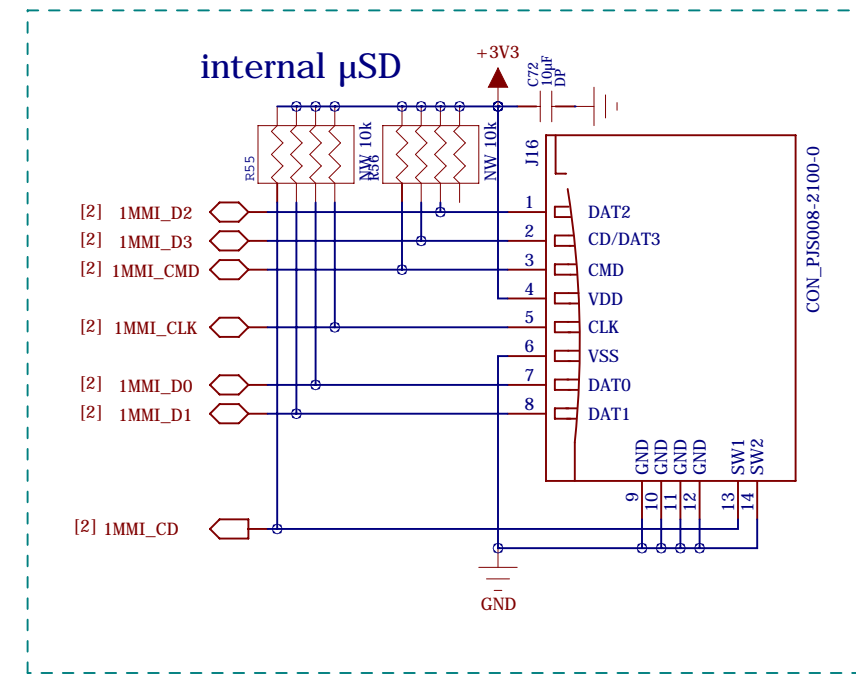
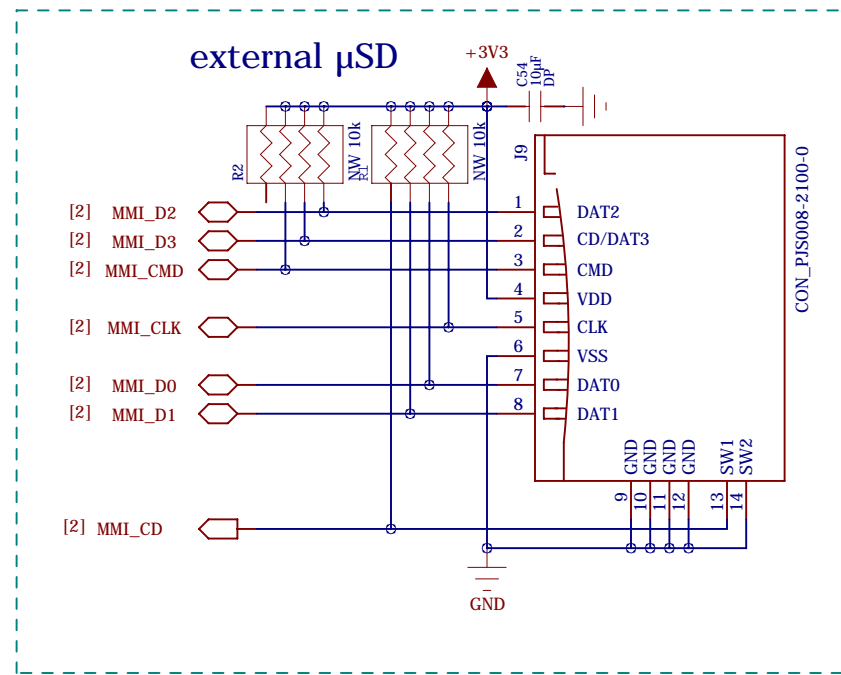
PROJECT TITLE:
610000217: ICT ADB4001

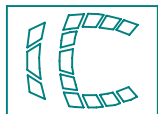
BOARD NO 625000218A	SHEET TITLE 2_ICNOVA	SIZE: A3	REV: A
DRAWN: Karsten Stork	DATED: 12.2011	RELEASED: -	DATED:
CHECKED: -	DATED:	LAST SAVED 17.09.2014	SHEET: 2 OF 12



In-Circuit GmbH
 Boltenhagener Str. 124
 D-01109 Dresden
 (C) Copyright by In-Circuit GmbH

PROJECT TITLE: 610000217: ICT ADB4001			
BOARD NO 625000218A	SHEET TITLE 3_DISPLAY/DVI	SIZE: A3	REV: A
DRAWN: Karsten Stork	DATED: 12.2011	RELEASED: -	DATED:
CHECKED: -	DATED:	LAST SAVED 17.09.2014	SHEET: 3 OF 12

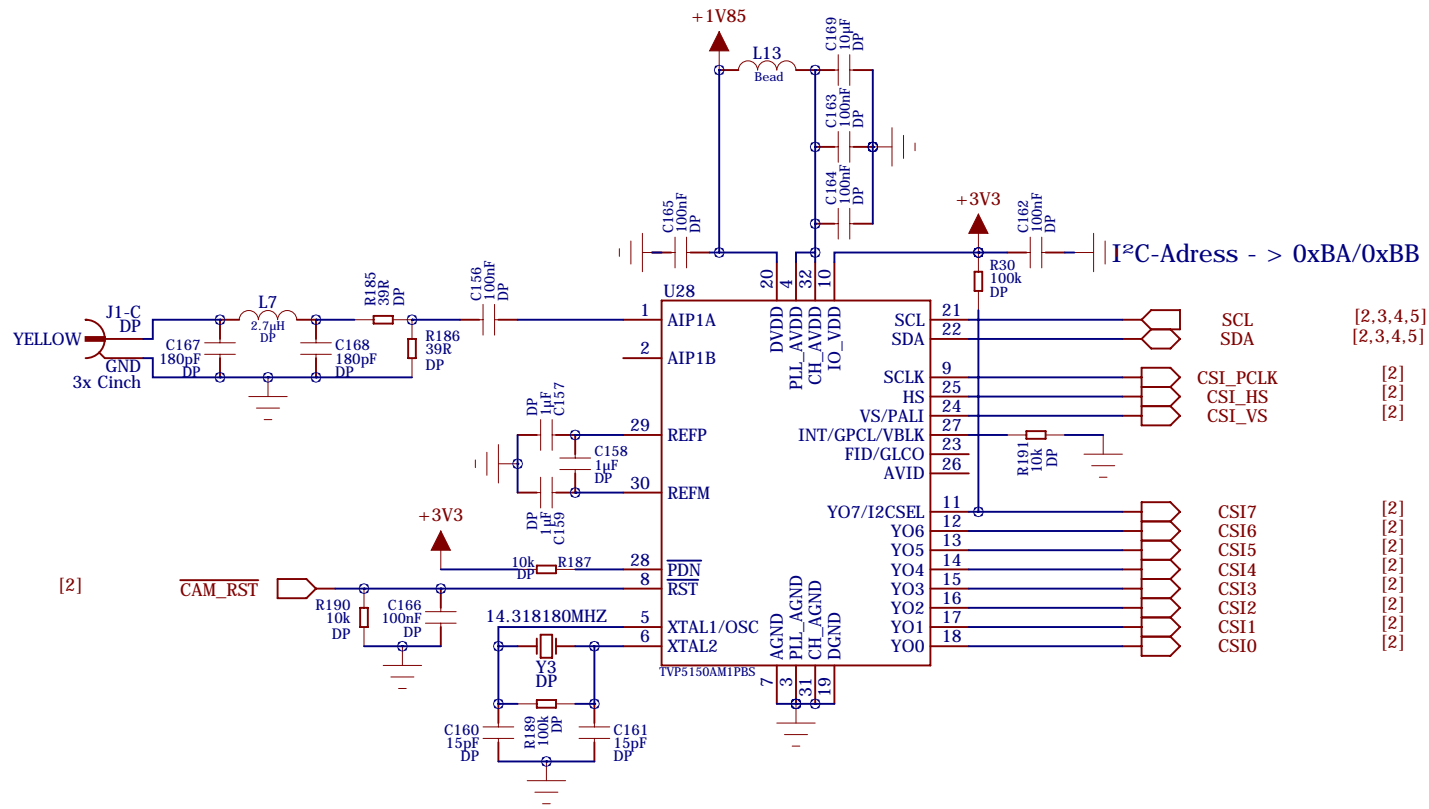
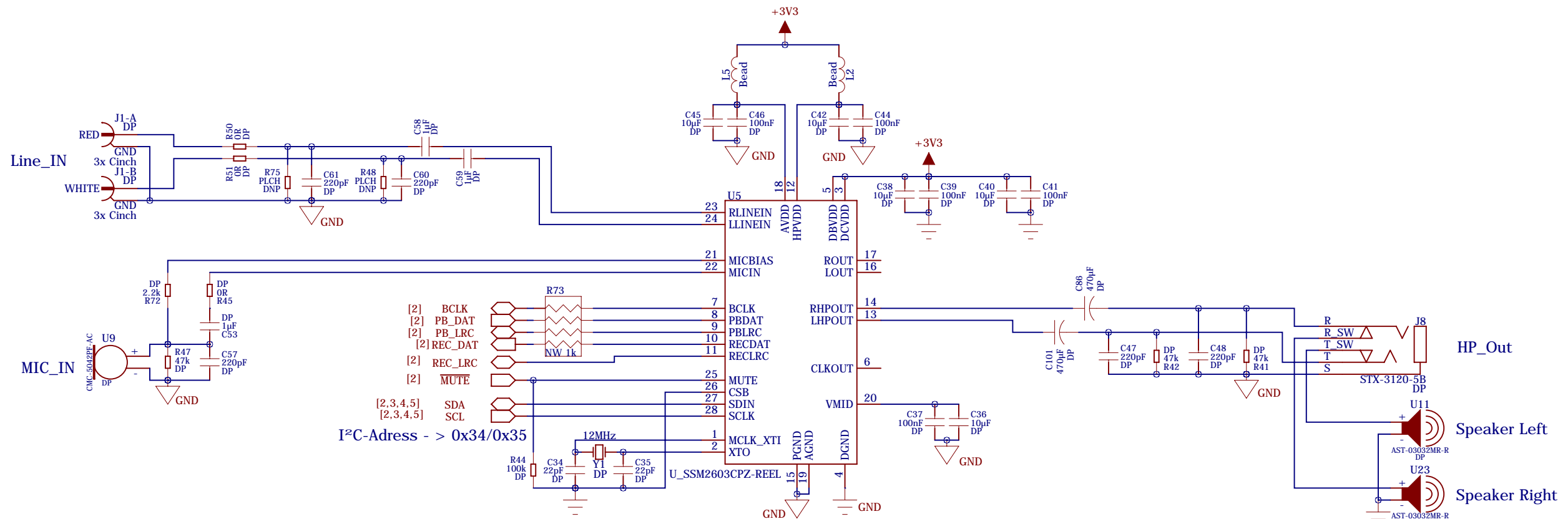


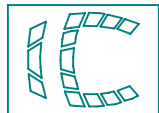


In-Circuit GmbH
 Boltenhagener Str. 124
 D-01109 Dresden
 (C) Copyright by In-Circuit GmbH

PROJECT TITLE:
610000217: ICT ADB4001

BOARD NO 625000218A	SHEET TITLE 4_μSD-CARDS/ETH/RTC	SIZE: A3	REV: A
DRAWN: Karsten Stork	DATED: 12.2011	RELEASED: -	DATED:
CHECKED: -	DATED:	LAST SAVED 17.09.2014	SHEET: 4 OF 12

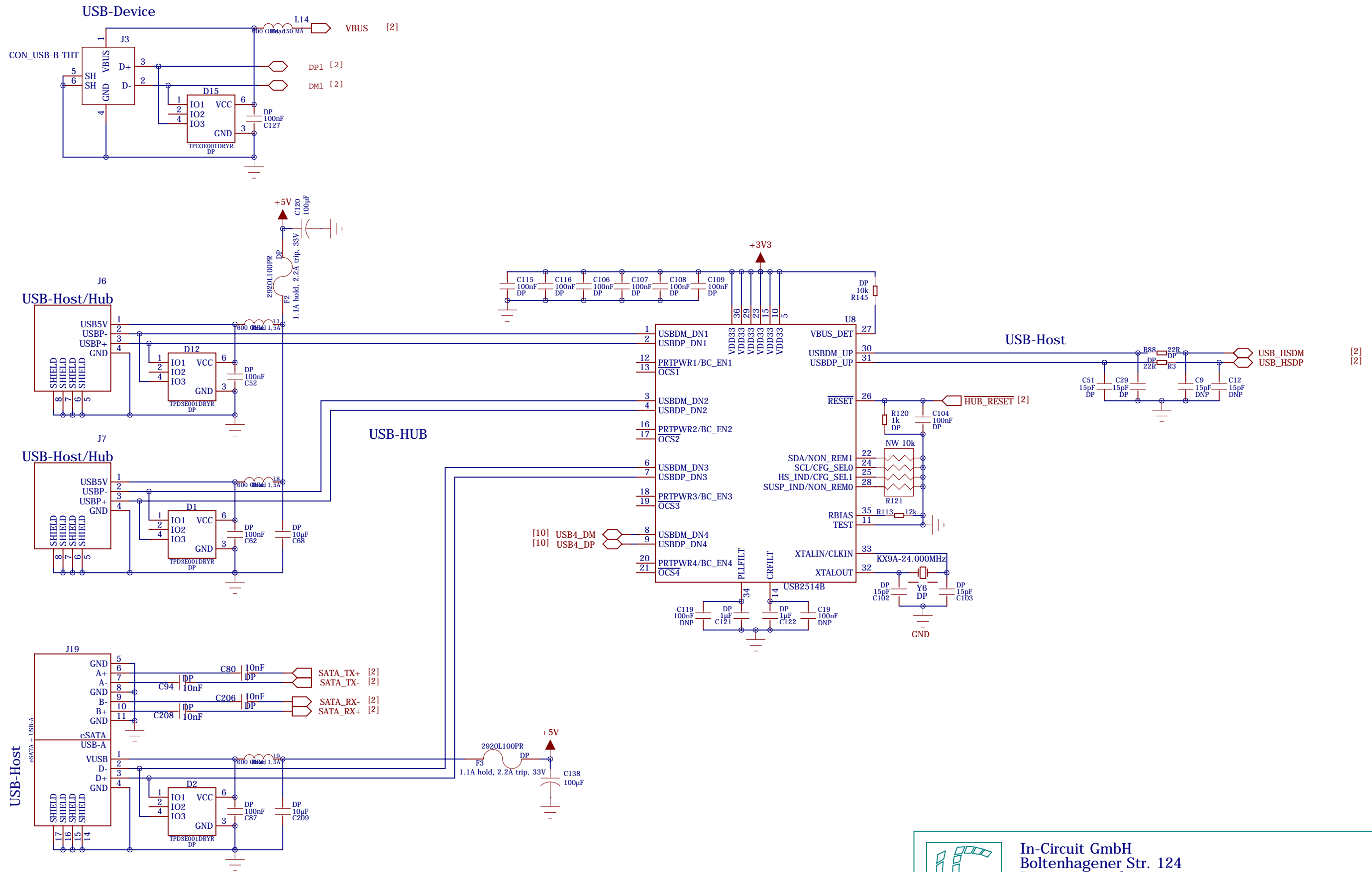


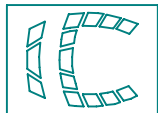


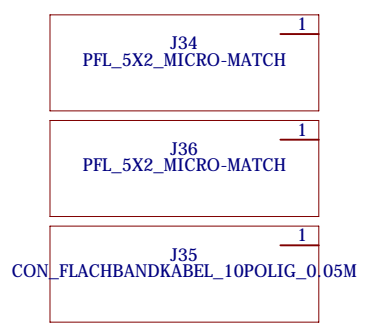
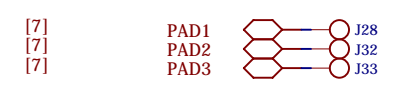
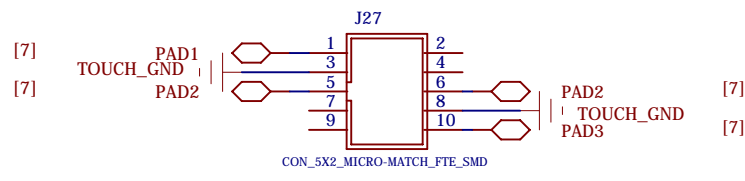
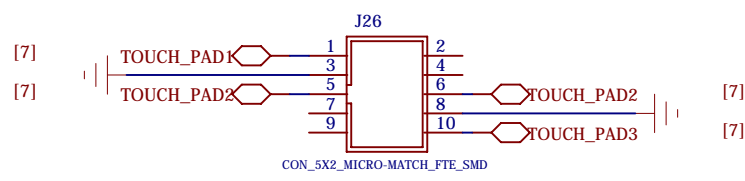
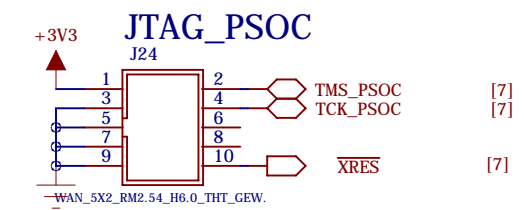
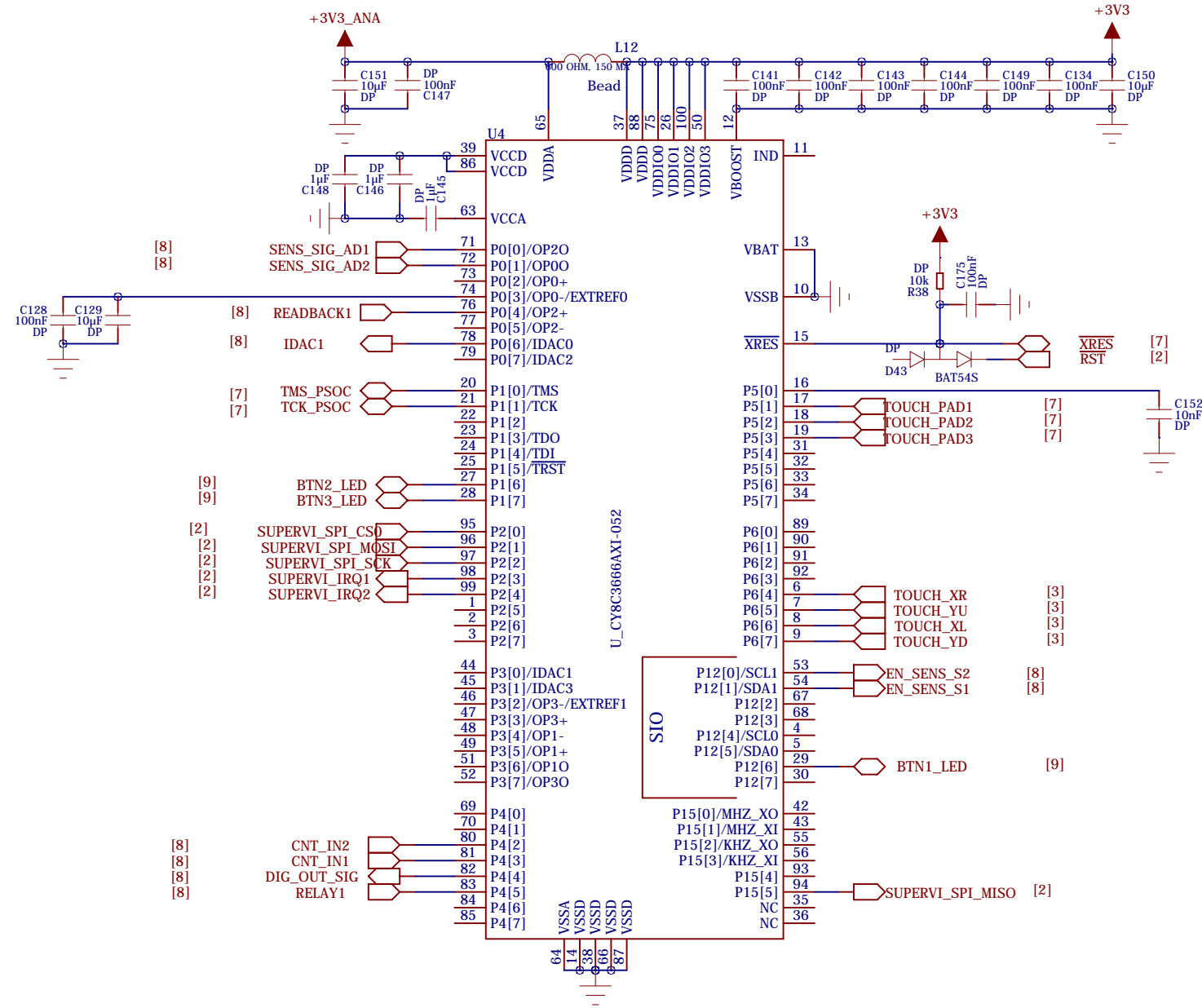
In-Circuit GmbH
 Boltenhagener Str. 124
 D-01109 Dresden
 (C) Copyright by In-Circuit GmbH

PROJECT TITLE:
610000217: ICT ADB4001

BOARD NO 625000218A	SHEET TITLE 5_SOUND/CAM	SIZE: A3	REV: A
DRAWN: Karsten Stork	DATED: 12.2011	RELEASED: -	DATED:
CHECKED: -	DATED: -	LAST SAVED 17.09.2014	SHEET: 5 OF 12



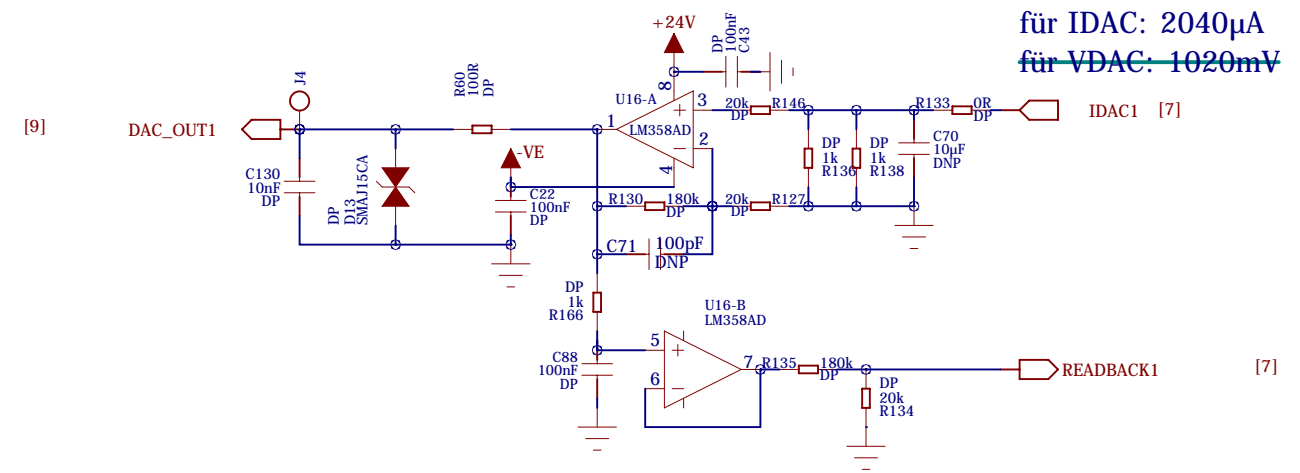
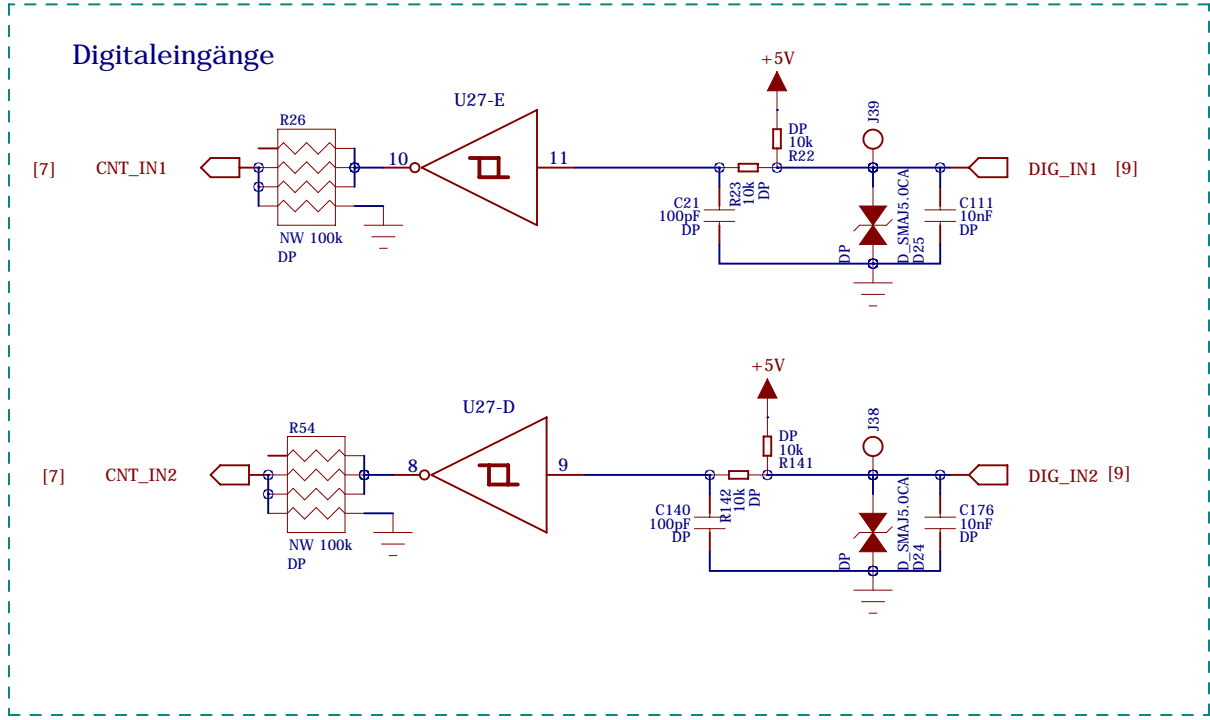
 In-Circuit GmbH Boltenhagener Str. 124 D-01109 Dresden (C) Copyright by In-Circuit GmbH			
BOARD NO	SHEET TITLE	SIZE:	REV:
625000218A	6_USB/ESATA	A3	A
DRAWN:	DATED:	RELEASED:	DATED:
Karsten Stork	12.2011	-	-
CHECKED:	DATED:	LAST SAVED	SHEET: 6 OF 12
-	-	17.09.2014	



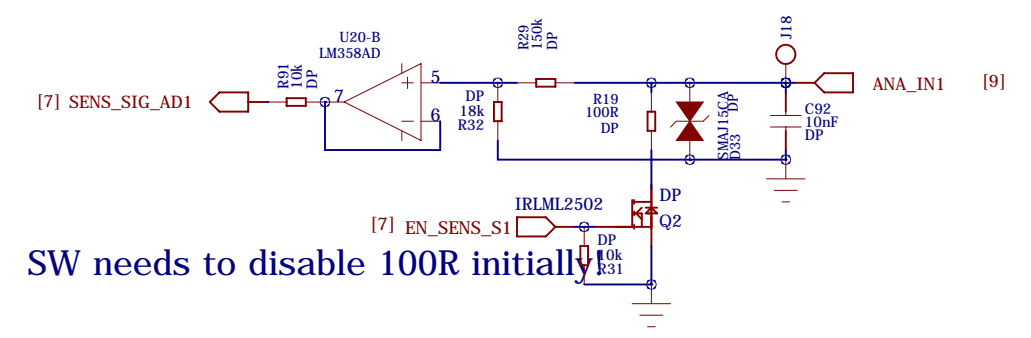
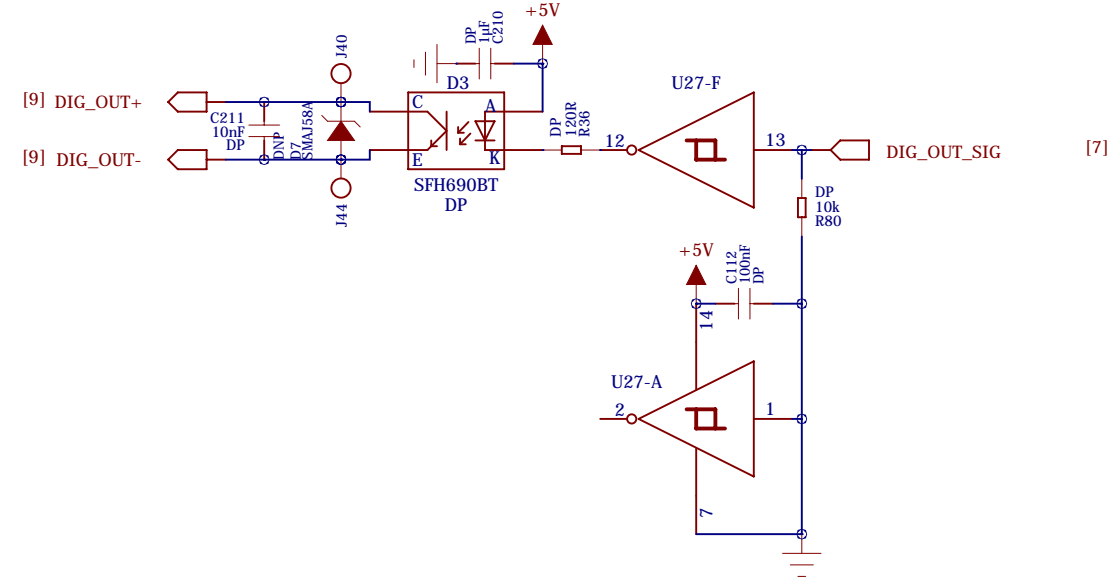
In-Circuit GmbH
 Boltenhagener Str. 124
 D-01109 Dresden
 (C) Copyright by In-Circuit GmbH

PROJECT TITLE:
610000217: ICT ADB4001

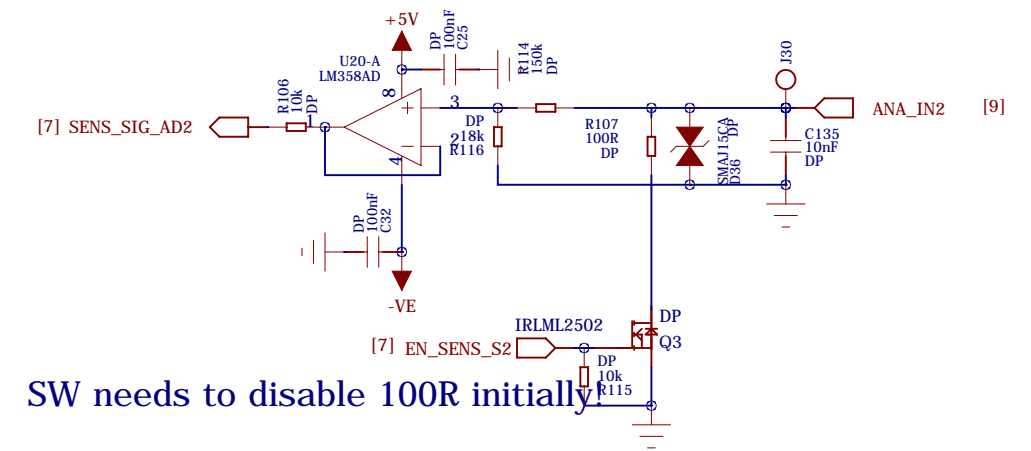
BOARD NO 625000218A	SHEET TITLE 7_PSOC	SIZE: A3	REV: A
DRAWN: Karsten Stork	DATED: 12.2011	RELEASED: -	DATED:
CHECKED: -	DATED: -	LAST SAVED 17.09.2014	SHEET: 7 OF 12



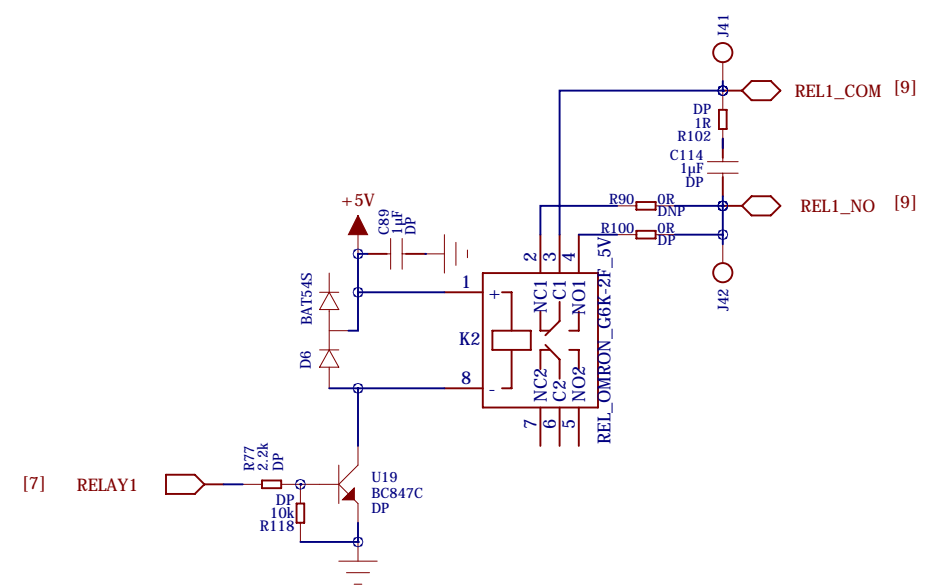
zum Messen von Sensorsignalen 0-10V (EN_SENS -> LOW)
oder 4-20mA (EN_SENS -> HIGH)



SW needs to disable 100R initially!



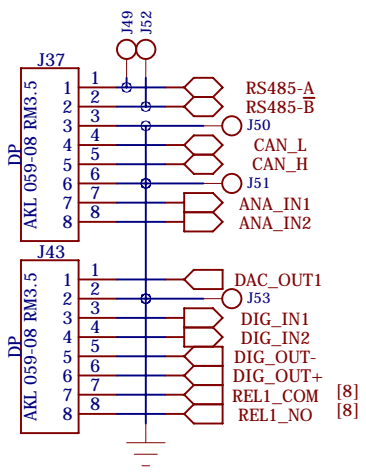
SW needs to disable 100R initially!



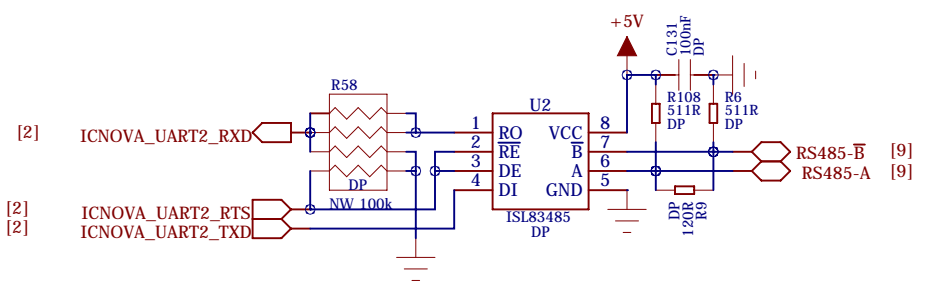
In-Circuit GmbH
Boltenhagener Str. 124
D-01109 Dresden
(C) Copyright by In-Circuit GmbH

PROJECT TITLE:
610000217: ICT ADB4001

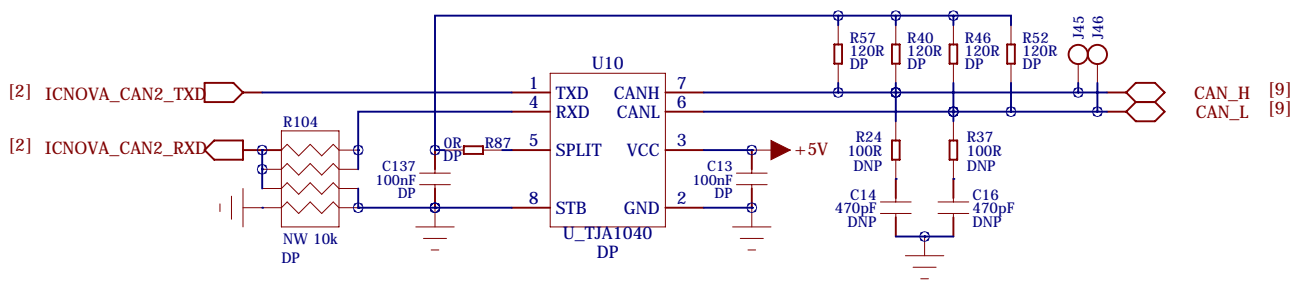
BOARD NO 625000218A	SHEET TITLE 8_IO/REL	SIZE: A3	REV: A
DRAWN: Karsten Stork	DATED: 12.2011	RELEASED: -	DATED:
CHECKED: -	DATED: -	LAST SAVED 17.09.2014	SHEET: 8 OF 12



[9]
[9]
[8]
[8]
[8]
[8]
[8]
[8]

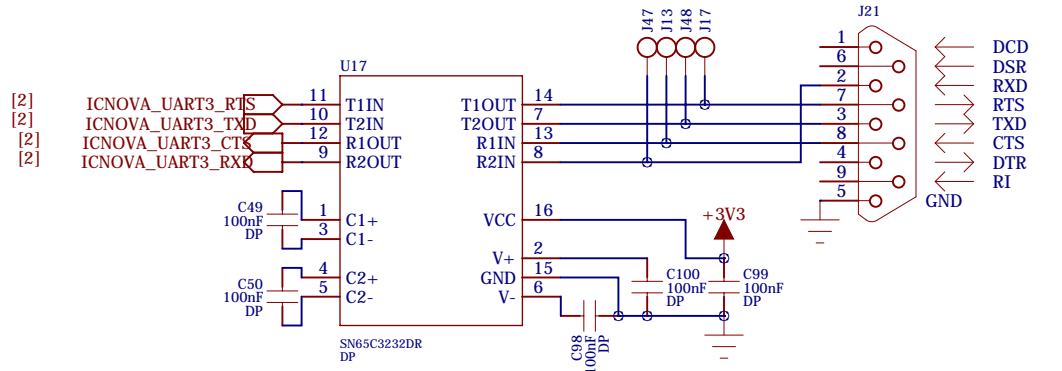


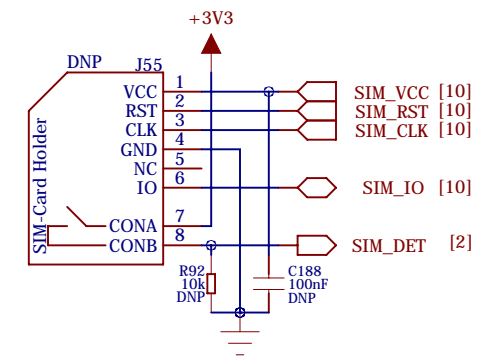
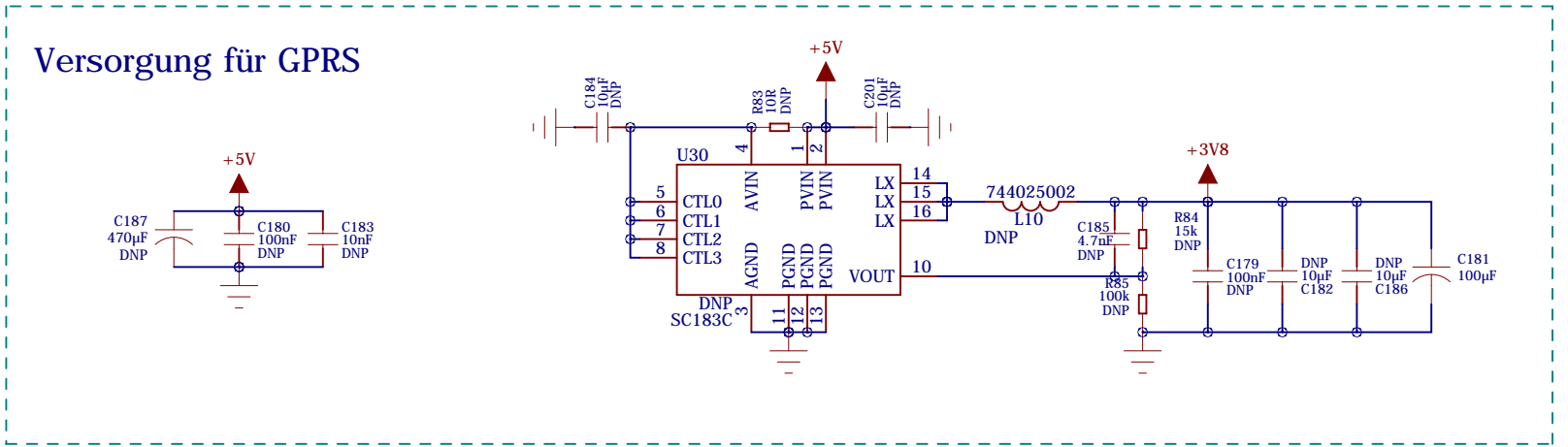
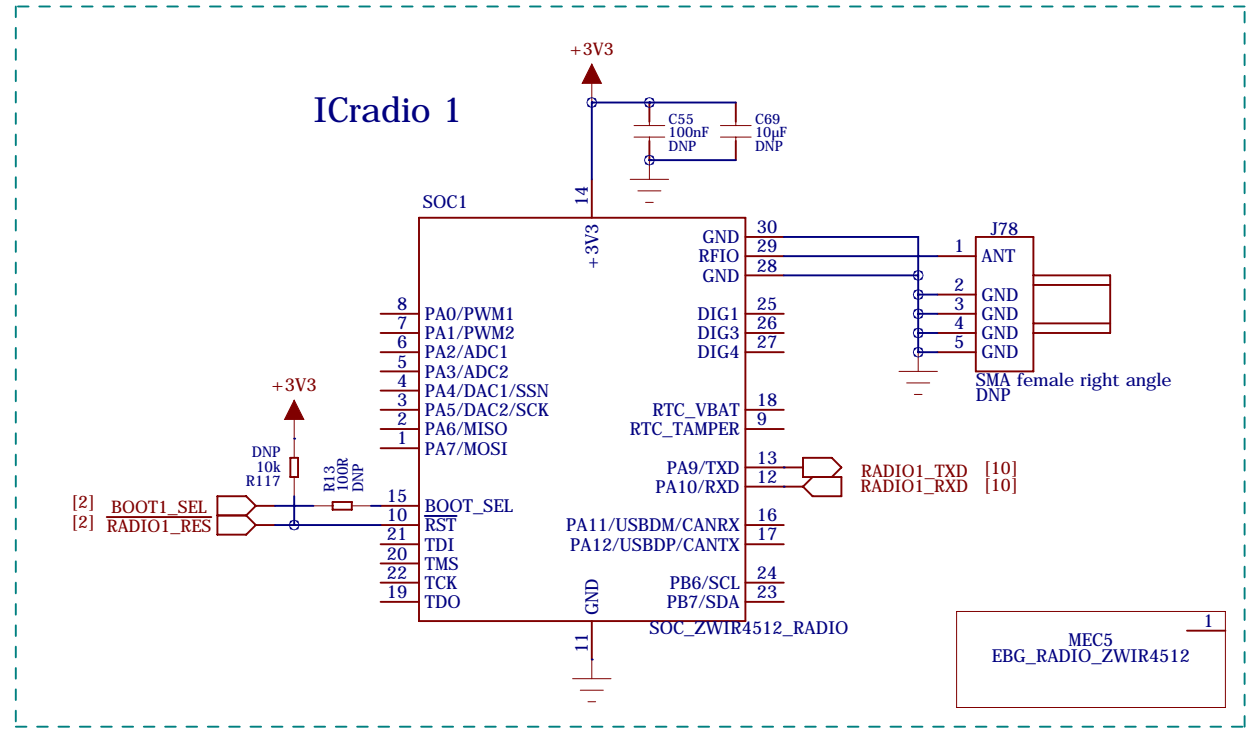
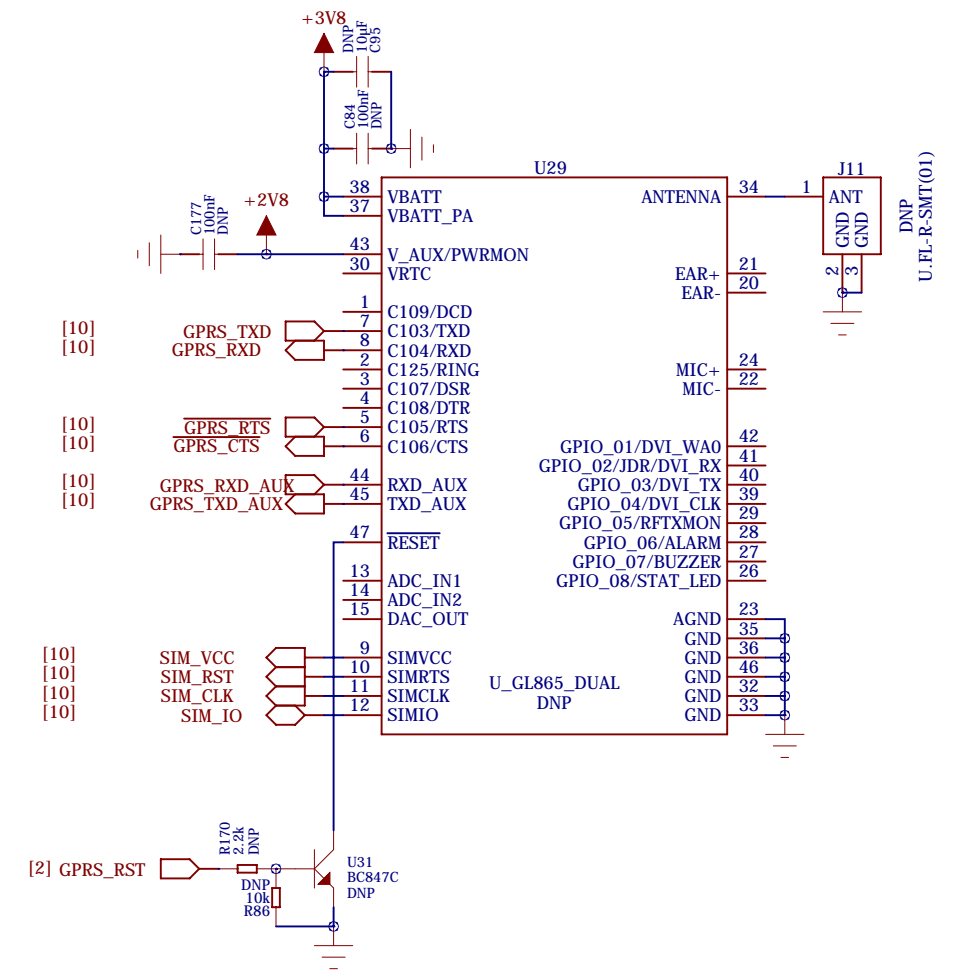
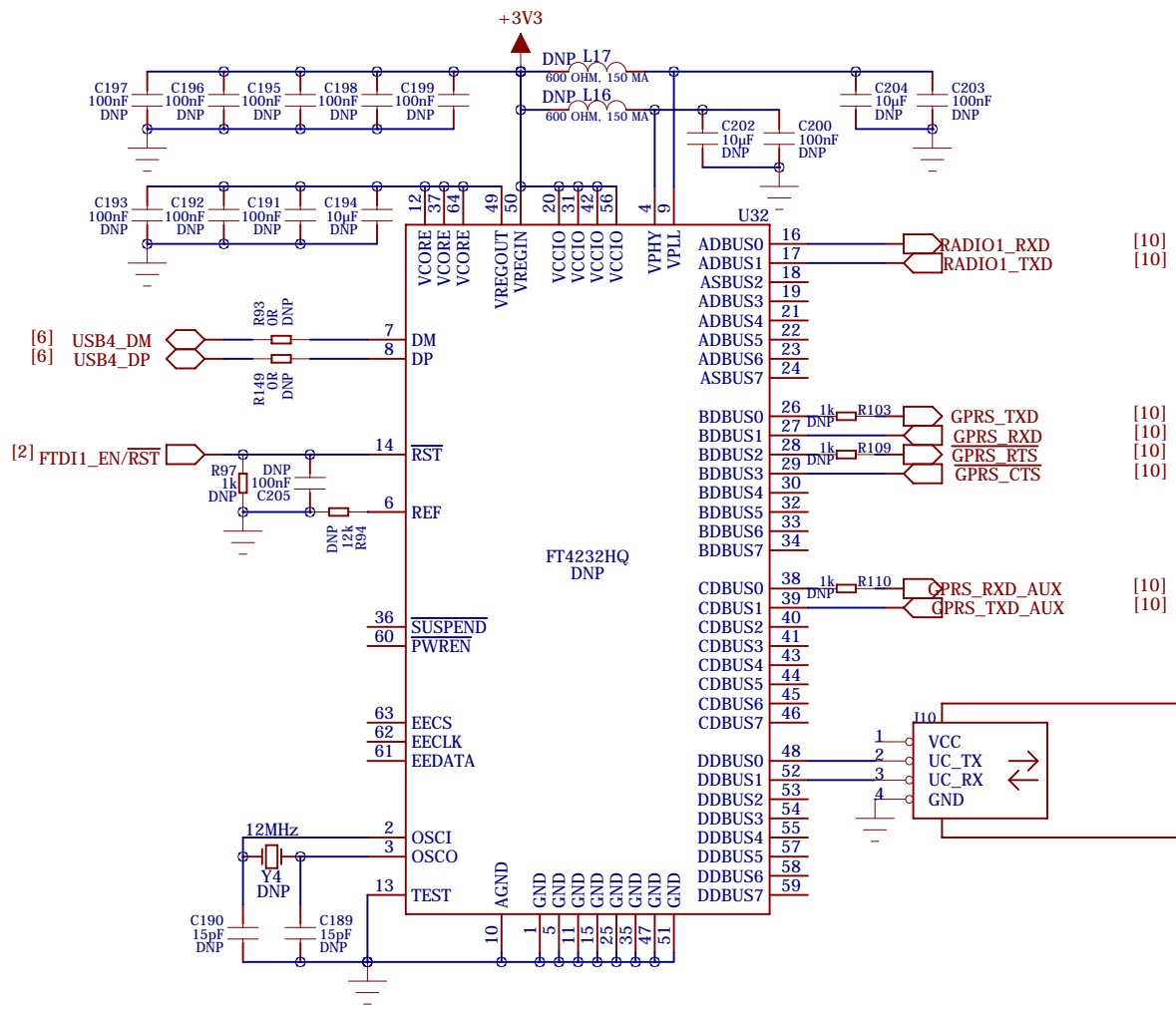
[2] ICNOVA_UART2_RXD
[2] ICNOVA_UART2_RTS
[2] ICNOVA_UART2_TXD



[2] ICNOVA_CAN2_TXD
[2] ICNOVA_CAN2_RXD

CAN_H [9]
CAN_L [9]

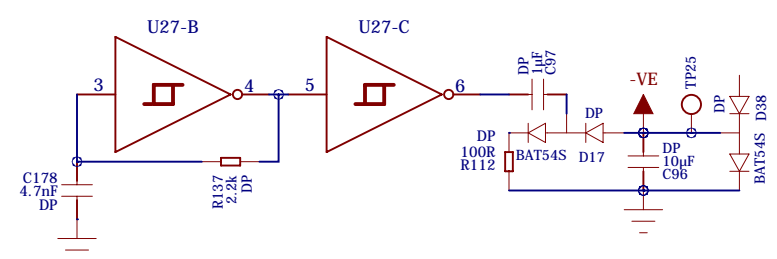
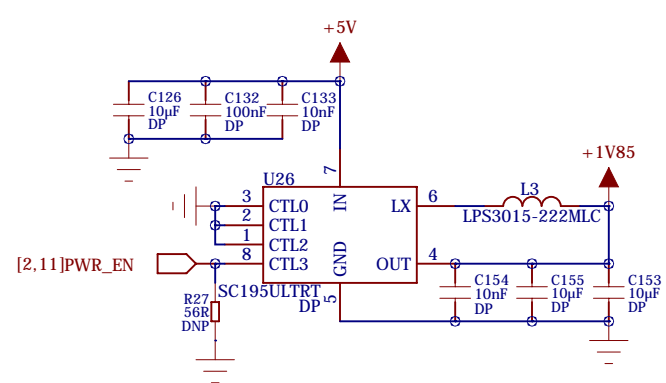
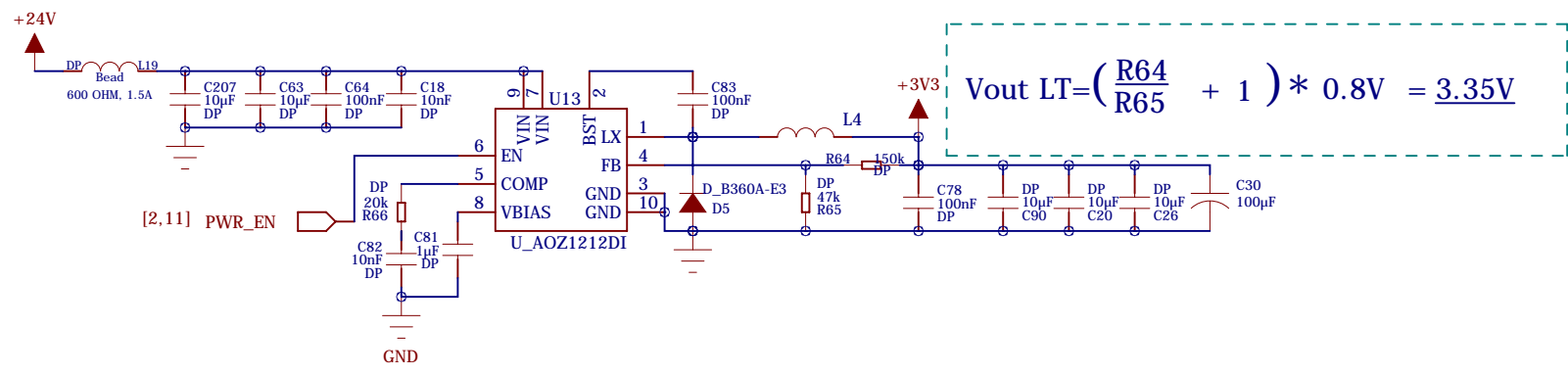
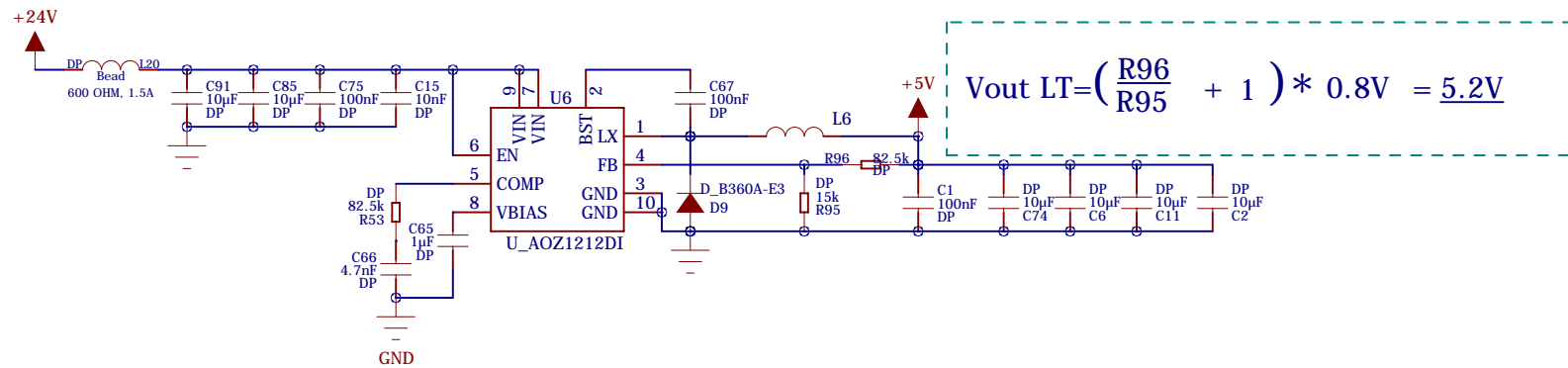
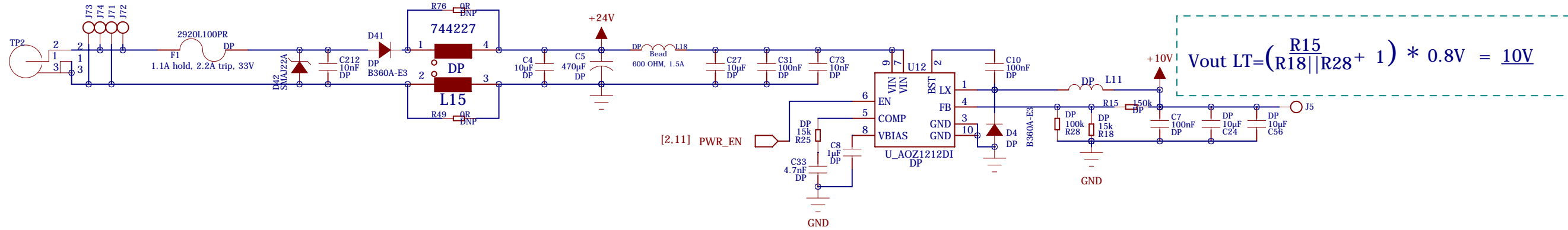


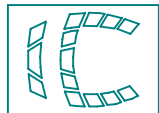


In-Circuit GmbH
 Boltenhagener Str. 124
 D-01109 Dresden
 (C) Copyright by In-Circuit GmbH

PROJECT TITLE:
610000217: ICT ADB4001

BOARD NO 625000218A	SHEET TITLE 10_GPRS	SIZE: A3	REV: A
DRAWN: Karsten Stork	DATED: 12.2011	RELEASED: -	DATED:
CHECKED: -	DATED:	LAST SAVED 17.09.2014	SHEET: 10 OF 12





In-Circuit GmbH
 Boltenhagener Str. 124
 D-01109 Dresden
 (C) Copyright by In-Circuit GmbH

PROJECT TITLE:
610000217: ICT ADB4001

BOARD NO 625000218A	SHEET TITLE 11_PWR	SIZE: A3	REV: A
DRAWN: Karsten Stork	DATED: 12.2011	RELEASED: -	DATED:
CHECKED: -	DATED: -	LAST SAVED 17.09.2014	SHEET: 11 OF 12

1 2 3 4 5 6 7 8 9 10



- MEC1
- MEC2
- MEC3
- MEC4

MECH25
MEC_PLEXI-ADB4001_4MM
DP
Plexiglasplatte für ADB4001

Abstandshalter mit Gewinde M2, 3mm
MECH2
MECH20
MEC_SCHRAUBE-M2X4MM

Abstandshalter mit Gewinde M2, 3mm
MECH3
MECH22
MEC_SCHRAUBE-M2X4MM

MECH21
MEC_UNTERLEGSCHIBE-M2_NYLON

MECH23
MEC_UNTERLEGSCHIBE-M2_NYLON

Abstandshalter mit Gewinde M2, 3mm
MECH1
MECH26
MEC_SENKKOPFSCHRAUBE-M2X6MM
DNP
Schraube M2 x 6mm

Abstandshalter mit Gewinde M2, 3mm
MECH4
MECH27
MEC_SENKKOPFSCHRAUBE-M2X6MM
DNP
Schraube M2 x 6mm

MECH4
MEC_SENKKOPFSCHRAUBE-M3X8MM
DP
Schraube M3 x 8mm

MECH5
MEC_SENKKOPFSCHRAUBE-M3X8MM
DP
Schraube M3 x 8mm

MECH6
MEC_SENKKOPFSCHRAUBE-M3X8MM
DP
Schraube M3 x 8mm

MECH7
MEC_SENKKOPFSCHRAUBE-M3X8MM
DP
Schraube M3 x 8mm

MECH16
MEC_ABSTANDSBOLZEN-M3X15MM
DP
Abstandsbolzen M3 x 15mm

MECH8
MEC_ABSTANDSBOLZEN-M3X15MM
DP
Abstandsbolzen M3 x 15mm

MECH9
MEC_ABSTANDSBOLZEN-M3X15MM
DP
Abstandsbolzen M3 x 15mm

MECH10
MEC_ABSTANDSBOLZEN-M3X15MM
DP
Abstandsbolzen M3 x 15mm

MECH11
MEC_ABSTANDSBOLZEN-M3X8MM
DP
Abstandsbolzen M3 x 8mm

MECH12
MEC_ABSTANDSBOLZEN-M3X8MM
DP
Abstandsbolzen M3 x 8mm

MECH13
MEC_ABSTANDSBOLZEN-M3X8MM
DP
Abstandsbolzen M3 x 8mm

MECH14
MEC_ABSTANDSBOLZEN-M3X8MM
DP
Abstandsbolzen M3 x 8mm



In-Circuit GmbH
Boltenhagener Str. 124
D-01109 Dresden
(C) Copyright by In-Circuit GmbH

PROJECT TITLE: 610000217: ICT ADB4001			
BOARD NO 625000218A	SHEET TITLE 12_MECHANICAL	SIZE: A3	REV: A
DRAWN: Karsten Stork	DATED: 12.2011	RELEASED: -	DATED:
CHECKED: -	DATED: -	LAST SAVED 17.09.2014	SHEET: 12 OF 12

1 2 3 4 5 6 7 8 9 10