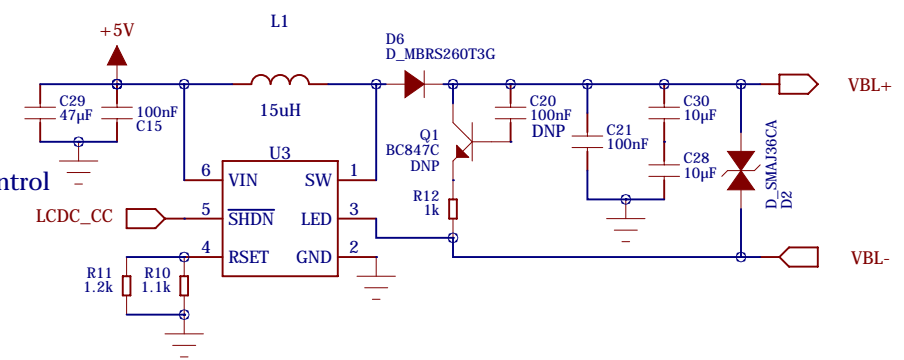


**In-Circuit GmbH**  
 Königsbrücker Str. 69  
 D-01099 Dresden  
 (C) Copyright by In-Circuit GmbH

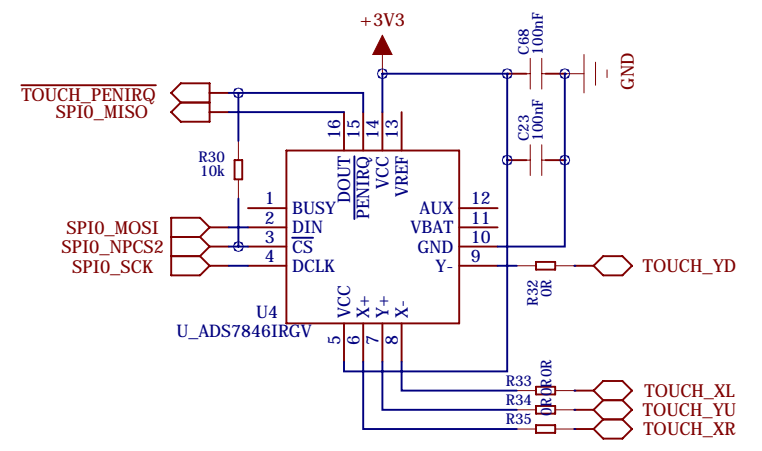
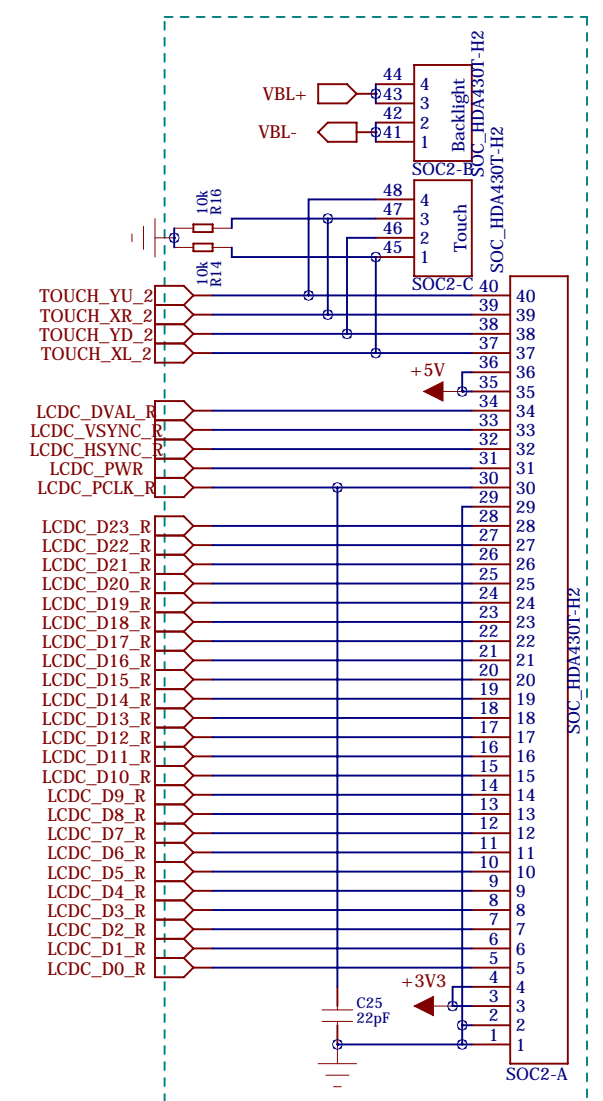
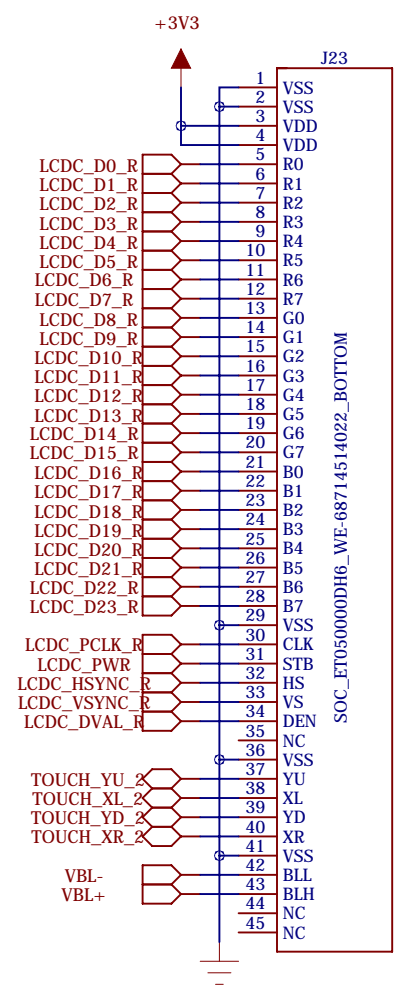
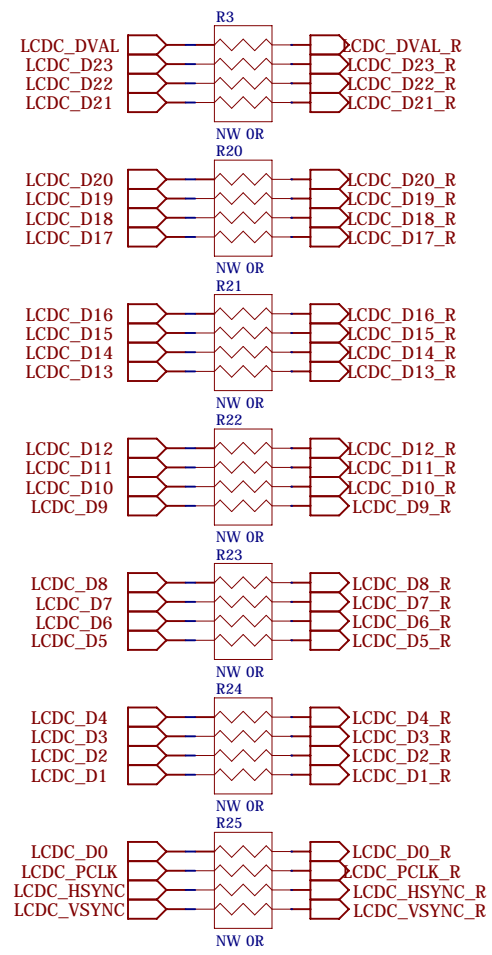
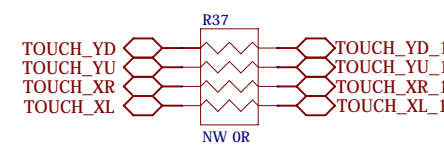
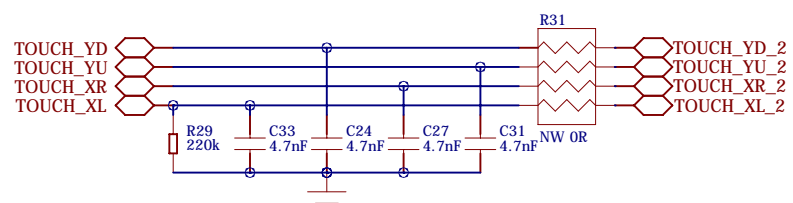
PROJECT TITLE:  
**610000132: ICnova ADB1004**

BOARD NO <b>625000129B</b>	SHEET TITLE <b>ICNOVA_SAM9G45_OEM</b>	SIZE: <b>A3</b>	REV: <b>B</b>
DRAWN: <b>Karsten Stork</b>	DATED: <b>26.01.2010</b>	RELEASED: <b>-</b>	DATED:
CHECKED: <b>-</b>	DATED:	LAST SAVED <b>&lt;undefined&gt;</b>	SHEET: <b>1 OF 5</b>

PWM for brightness control  
3V3=ON; 0V=OFF

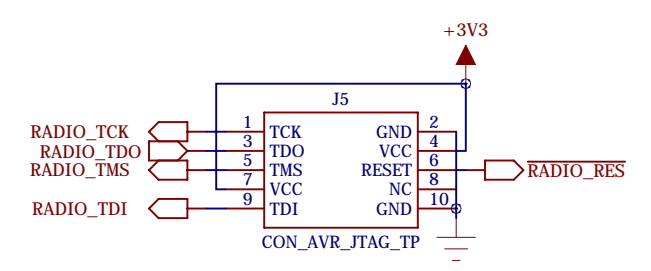
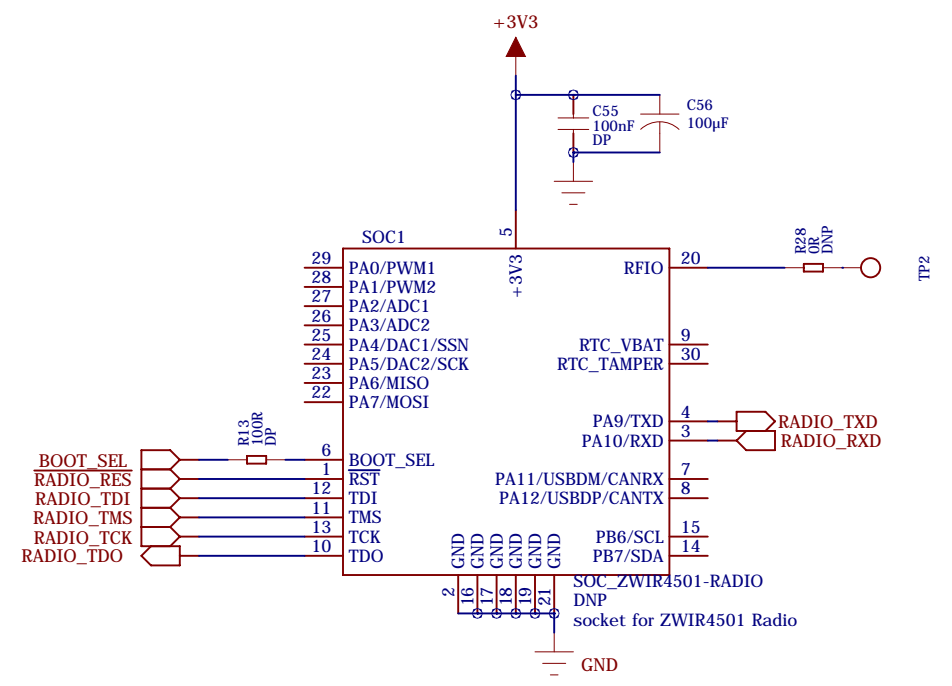
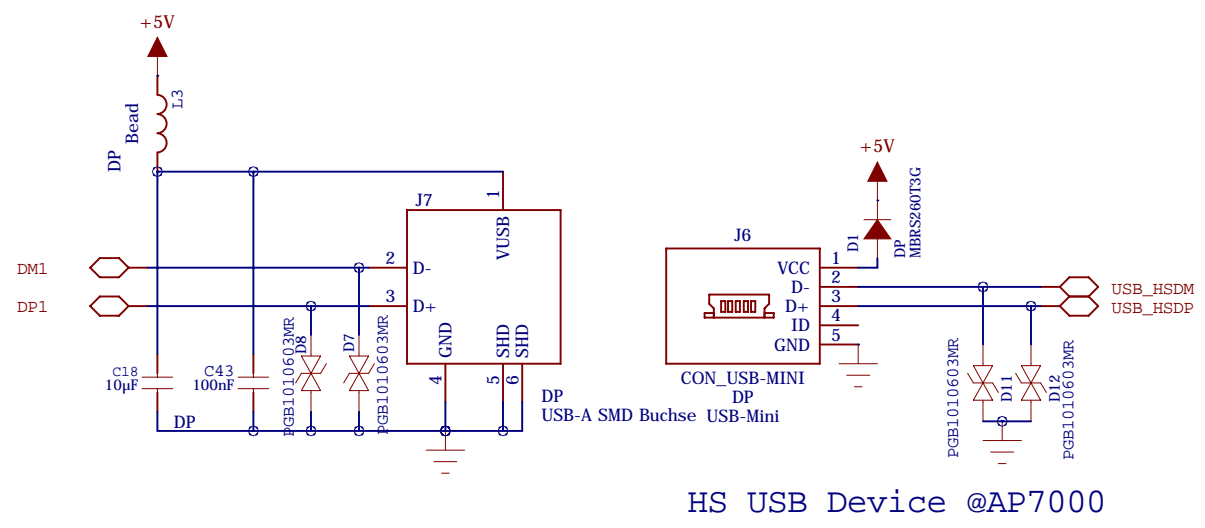



Größe	Display		R10	R11		Rset		Idisp (mA)
4,3	HDA430T-H2	->	1100	nc	->	1100	->	20,45
4,3	ET043000DH6	->	1200	1200	->	600	->	37,50
5	ET050000DH6	->	560	nc	->	560	->	40,18

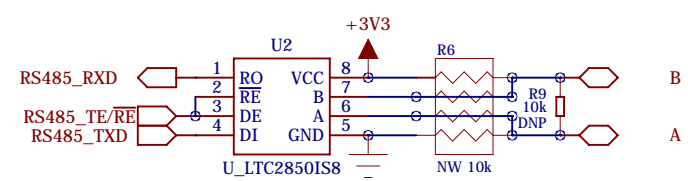
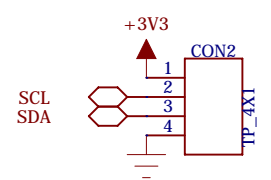
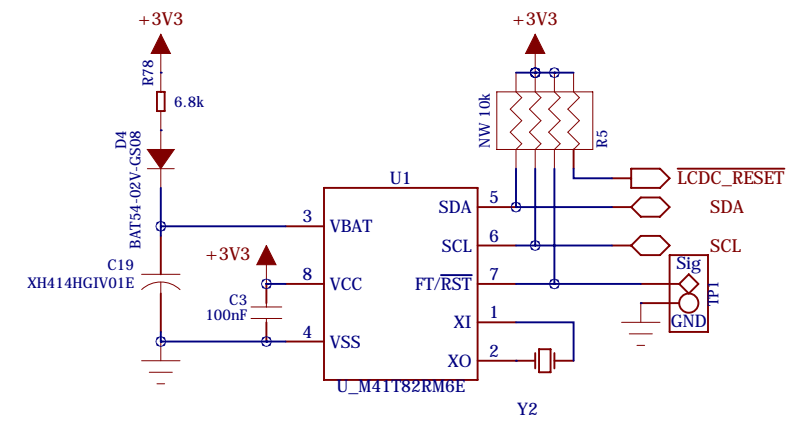
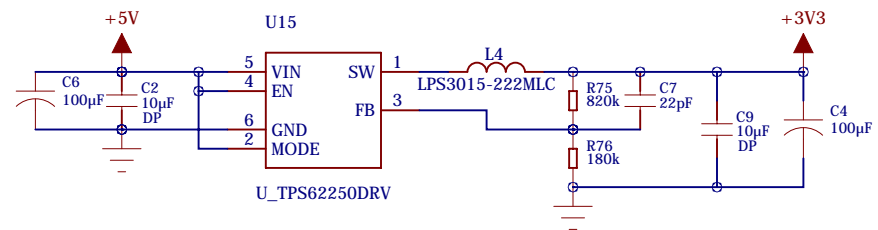
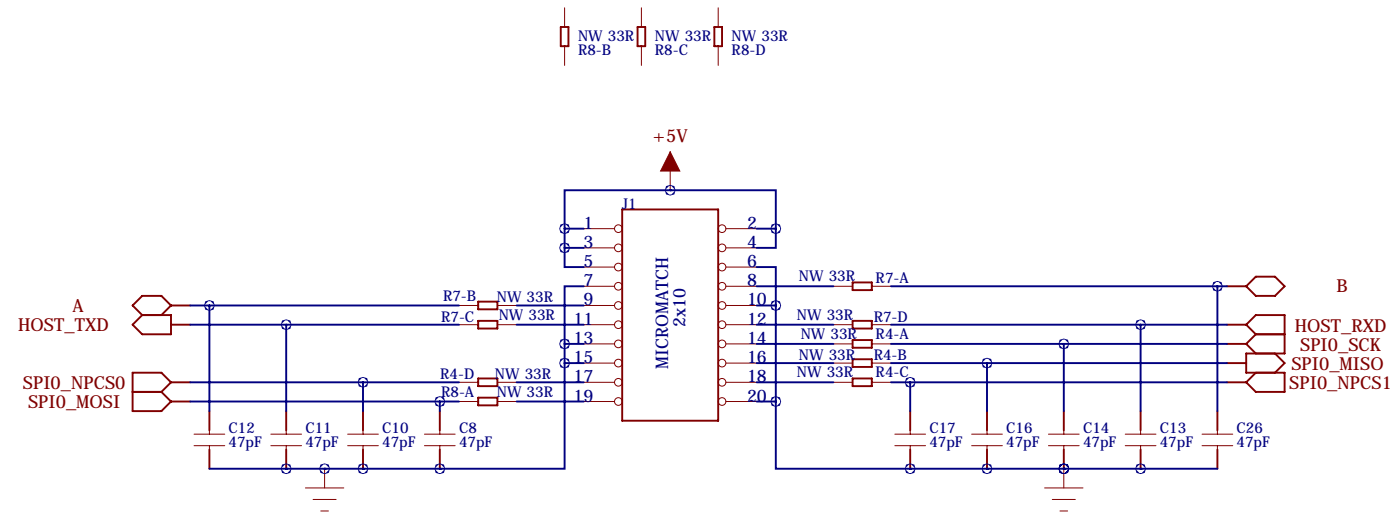


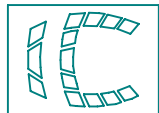
In-Circuit GmbH  
Königsbrücker Str. 69  
D-01099 Dresden  
(C) Copyright by In-Circuit GmbH

PROJECT TITLE: 610000132: ICnova ADB1004			
BOARD NO 625000129B	SHEET TITLE ONBOARD-GRAPHIC	SIZE: A3	REV: B
DRAWN: Karsten Stork	DATED: 26.01.2010	RELEASED: -	DATED:
CHECKED: -	DATED:	LAST SAVED <undefined>	SHEET: 2 OF 5



 <b>In-Circuit GmbH</b> Königsbrücker Str. 69 D-01099 Dresden (C) Copyright by In-Circuit GmbH			
PROJECT TITLE: <b>610000132: ICnova ADB1004</b>			
BOARD NO	SHEET TITLE	SIZE:	REV:
<b>625000129B</b>	<b>USB/RADIO</b>	<b>A3</b>	<b>B</b>
DRAWN:	DATED:	RELEASED:	DATED:
<b>Karsten Stork</b>	<b>26.01.2010</b>	-	
CHECKED:	DATED:	LAST SAVED	SHEET: 3 OF 5
-	-	<undefined>	

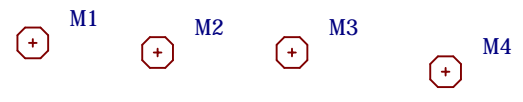
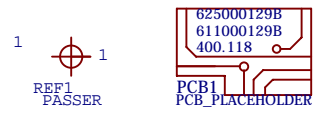




**In-Circuit GmbH**  
 Königsbrücker Str. 69  
 D-01099 Dresden  
 (C) Copyright by In-Circuit GmbH

PROJECT TITLE:  
**610000132: ICnova ADB1004**

BOARD NO <b>625000129B</b>	SHEET TITLE <b>POWER/RTC/RS485</b>	SIZE: <b>A3</b>	REV: <b>B</b>
DRAWN: <b>Karsten Stork</b>	DATED: <b>26.01.2010</b>	RELEASED: -	DATED:
CHECKED: -	DATED: -	LAST SAVED <undefined>	SHEET: 4 OF 5



In-Circuit GmbH  
Königsbrücker Str. 69  
D-01099 Dresden  
**(C) Copyright by In-Circuit GmbH**

PROJECT TITLE: <b>610000132: ICnova ADB1004</b>			
BOARD NO <b>625000129B</b>	SHEET TITLE <b>MECHANICAL</b>	SIZE: <b>A3</b>	REV: <b>B</b>
DRAWN: <b>Karsten Stork</b>	DATED: <b>26.01.2010</b>	RELEASED: -	DATED:
CHECKED: -	DATED: -	LAST SAVED <b>&lt;undefined&gt;</b>	SHEET: <b>5 OF 5</b>