

In-Circuit GmbH
 Königsbrücker Str. 69
 D-01099 Dresden
 (C) Copyright by In-Circuit GmbH

PROJECT TITLE:
ICnova ADB1001

BOARD NO	SHEET TITLE	SIZE:	REV:
610000117A	ICNOVA_AP7000_OEMPLUS	A3	A04
DRAWN:	DATED:	RELEASED:	DATED:
Karsten Stork	16.09.2009	-	-
CHECKED:	DATED:	LAST SAVED	SHEET: 1 OF 7
-	-	19.10.2009	

A

B

C

D

E

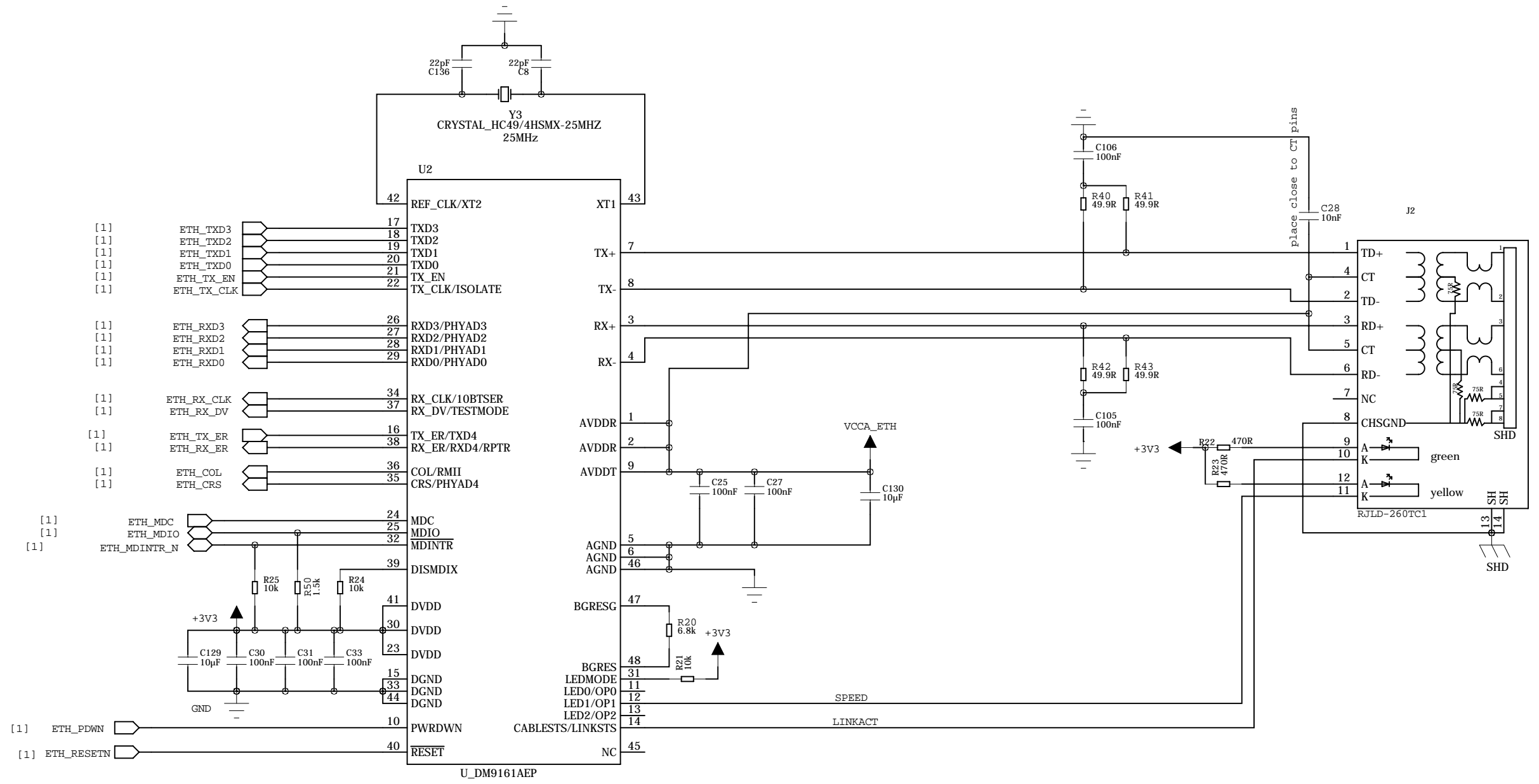
A

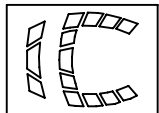
B

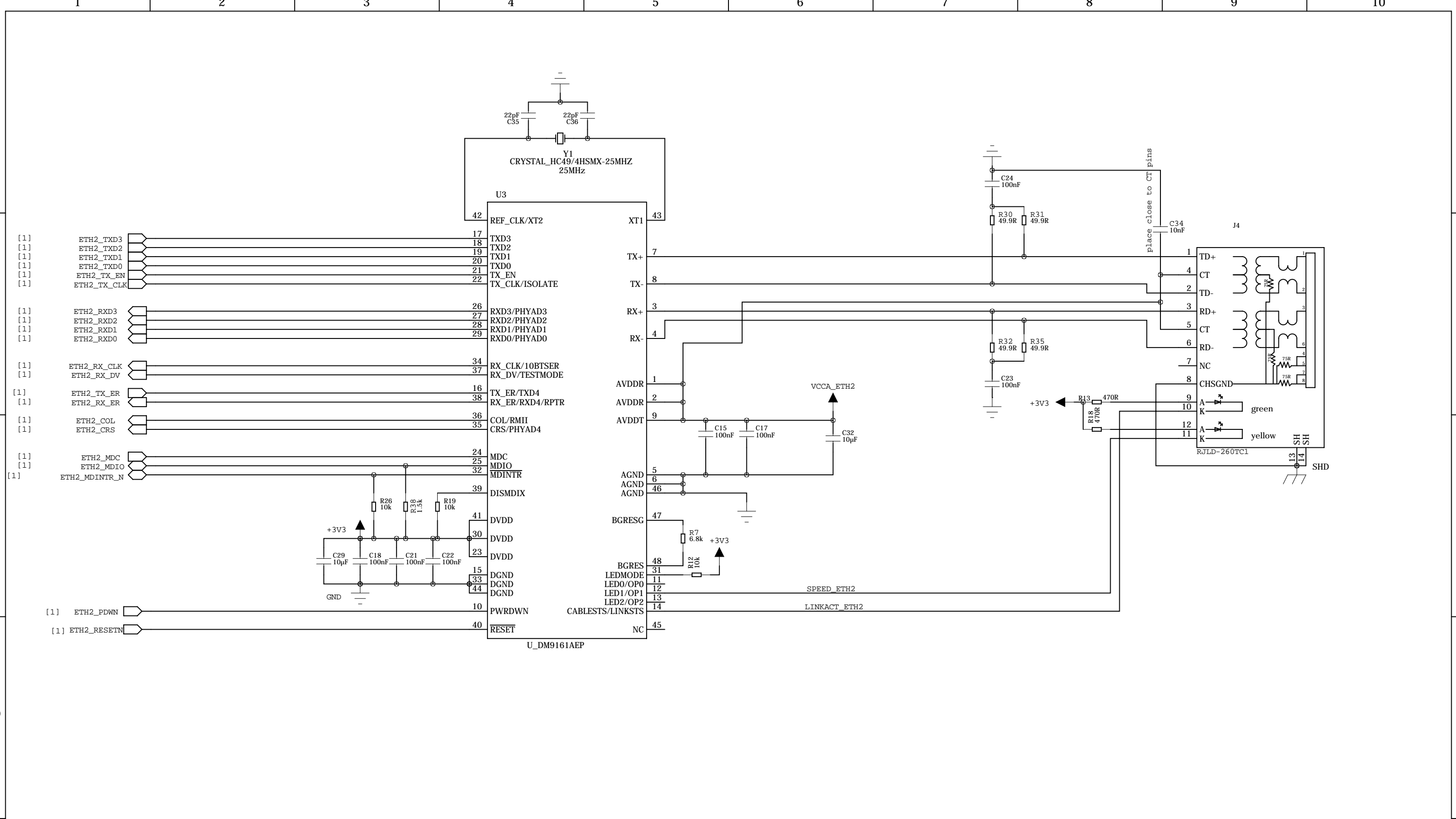
C

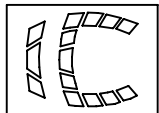
D

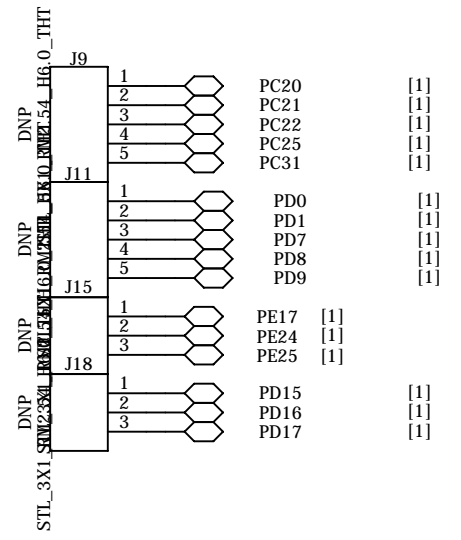
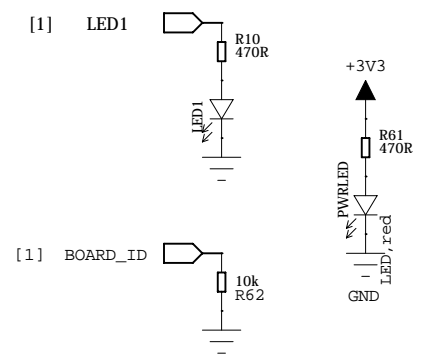
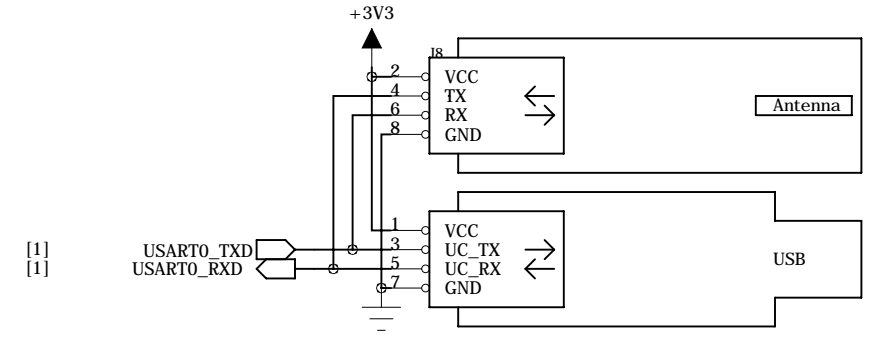
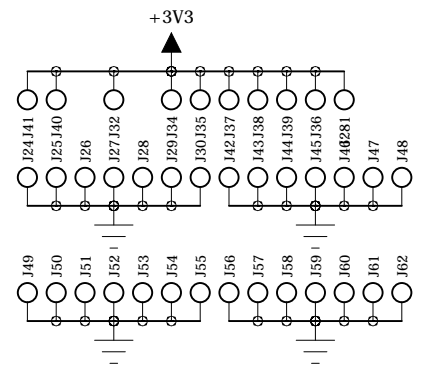
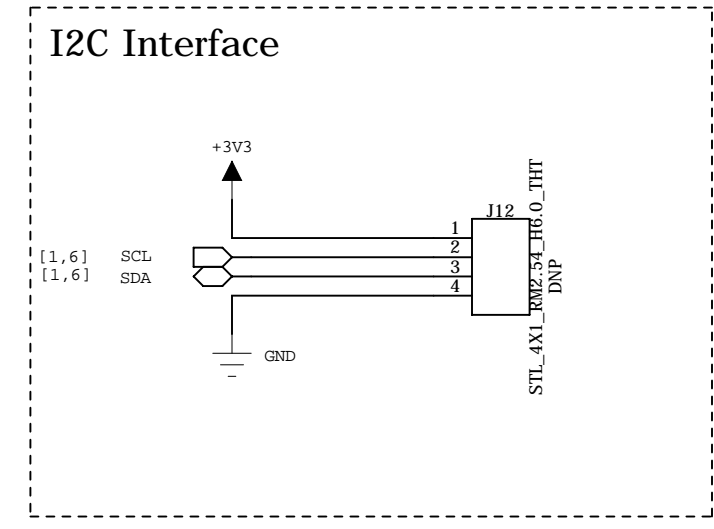
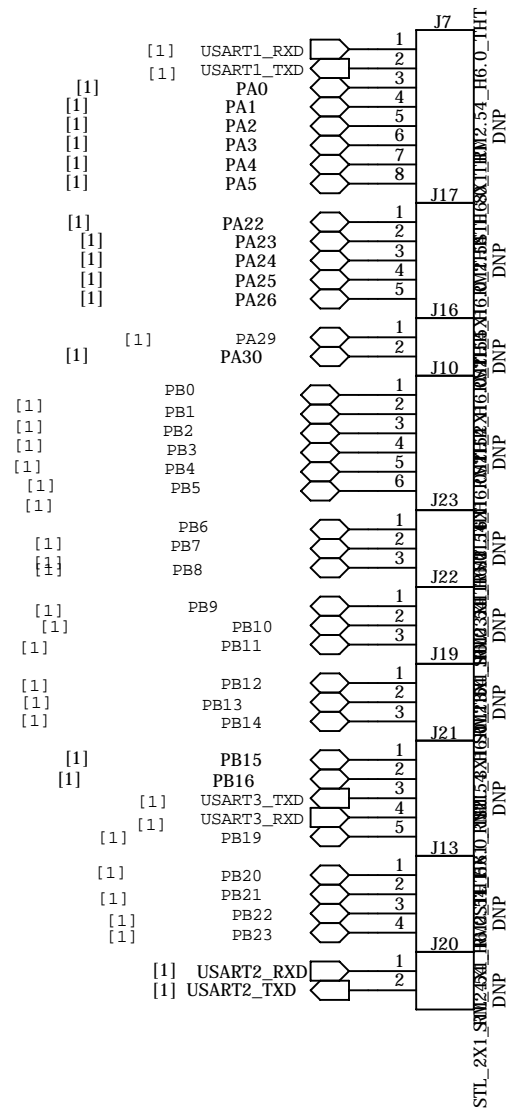
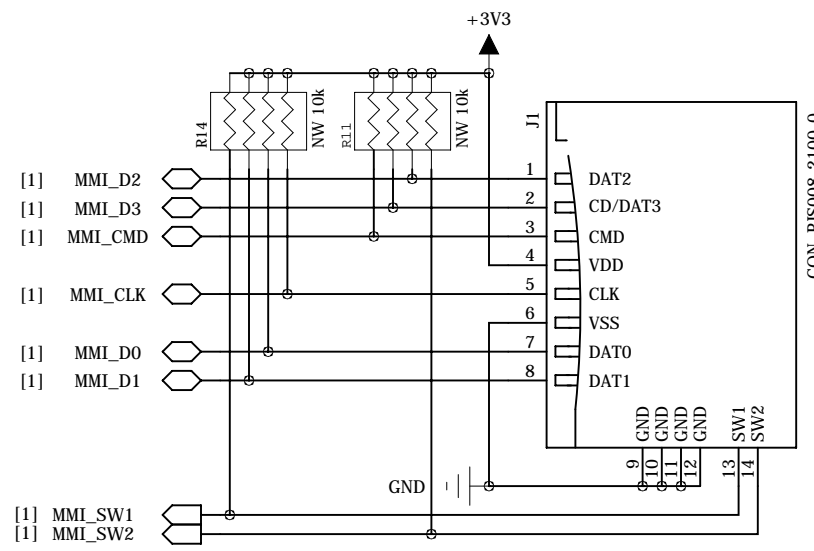
E



 In-Circuit GmbH Königsbrücker Str. 69 D-01099 Dresden (C) Copyright by In-Circuit GmbH			
PROJECT TITLE: ICnova ADB1001			
BOARD NO 610000117A	SHEET TITLE ETHERNET_1	SIZE: A3	REV: A04
DRAWN: Karsten Stork	DATED: 16.09.2009	RELEASED: -	DATED: -
CHECKED: -	DATED: -	LAST SAVED 19.10.2009	SHEET: 2 OF 7



 In-Circuit GmbH Königsbrücker Str. 69 D-01099 Dresden (C) Copyright by In-Circuit GmbH			
PROJECT TITLE: ICnova ADB1001			
BOARD NO 610000117A	SHEET TITLE ETHERNET_2	SIZE: A3	REV: A04
DRAWN: Karsten Stork	DATED: 16.09.2009	RELEASED: -	DATED:
CHECKED: -	DATED: -	LAST SAVED 19.10.2009	SHEET: 3 OF 7



In-Circuit GmbH
 Königsbrücker Str. 69
 D-01099 Dresden
 (C) Copyright by In-Circuit GmbH

PROJECT TITLE:
ICnova ADB1001

BOARD NO 610000117A	SHEET TITLE CONNECTORS/LED/GPIO	SIZE: A3	REV: A04
DRAWN: Karsten Stork	DATED: 16.09.2009	RELEASED: -	DATED:
CHECKED: -	DATED: -	LAST SAVED 19.10.2009	SHEET: 4 OF 7

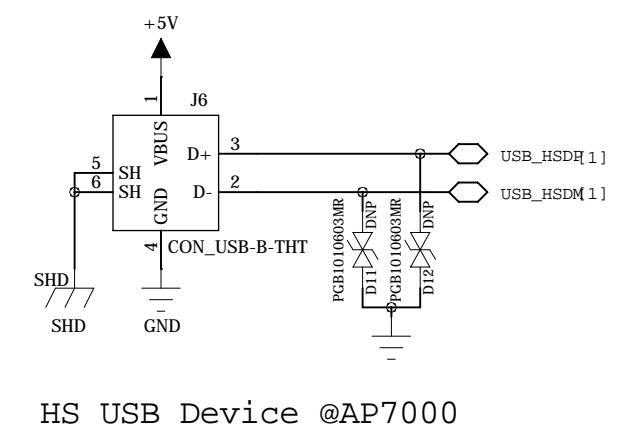
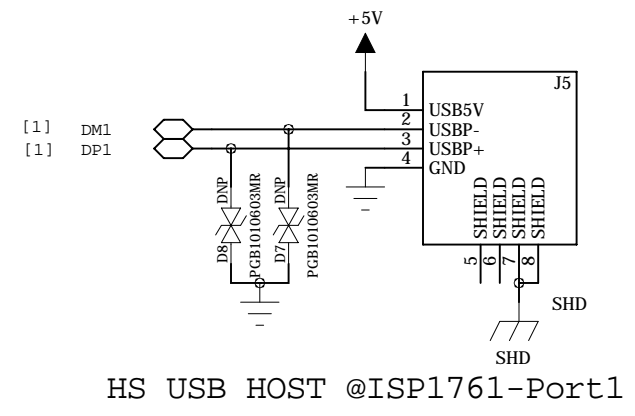
A

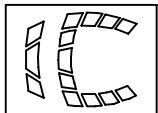
B

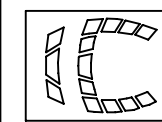
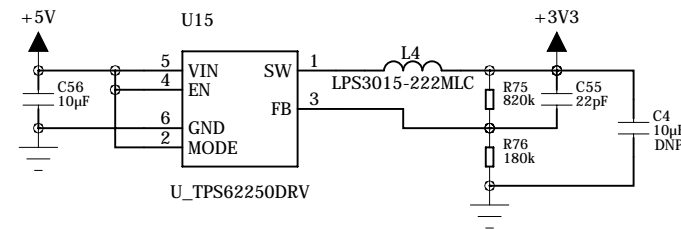
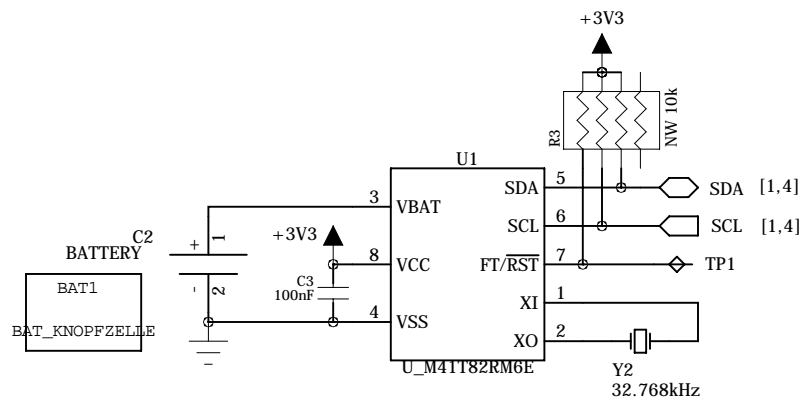
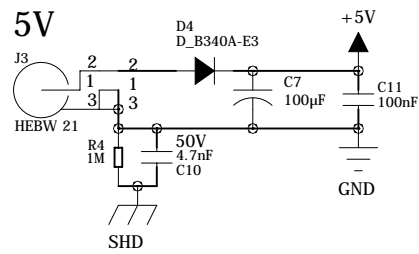
C

D

E



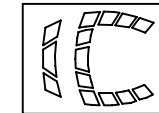
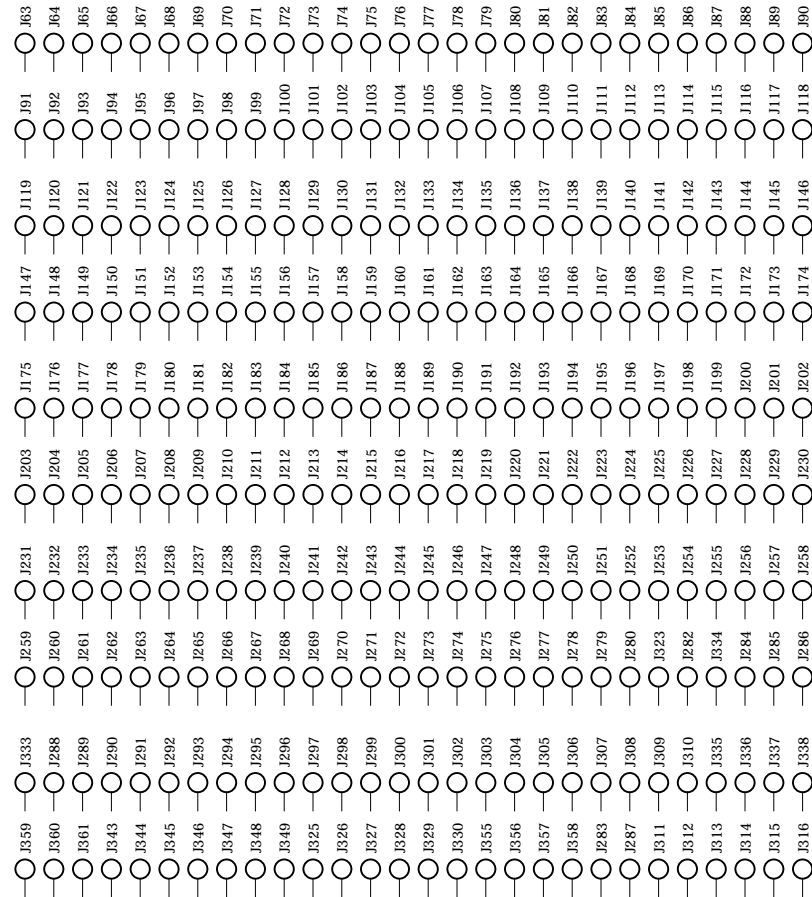
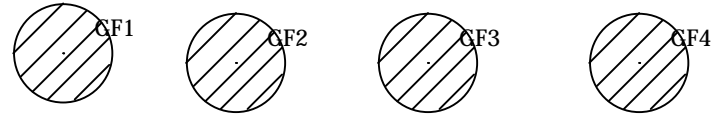
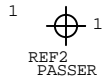
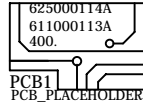
 In-Circuit GmbH Königsbrücker Str. 69 D-01099 Dresden (C) Copyright by In-Circuit GmbH			
PROJECT TITLE: ICnova ADB1001			
BOARD NO 610000117A	SHEET TITLE USB	SIZE: A3	REV: A04
DRAWN: Karsten Stork	DATED: 16.09.2009	RELEASED: -	DATED:
CHECKED: -	DATED: -	LAST SAVED 19.10.2009	SHEET: 5 OF 7



In-Circuit GmbH
 Königsbrücker Str. 69
 D-01099 Dresden
 (C) Copyright by In-Circuit GmbH

PROJECT TITLE: ICnova ADB1001			
BOARD NO 610000117A	SHEET TITLE POWER/RTC	SIZE: A3	REV: A04
DRAWN: Karsten Stork	DATED: 16.09.2009	RELEASED: -	DATED:
CHECKED: -	DATED: -	LAST SAVED 19.10.2009	SHEET: 6 OF 7

1 2 3 4 5 6 7 8 9 10



In-Circuit GmbH
Königsbrücker Str. 69
D-01099 Dresden
(C) Copyright by In-Circuit GmbH

PROJECT TITLE: ICnova ADB1001			
BOARD NO 610000117A	SHEET TITLE MECHANICAL	SIZE: A3	REV: A04
DRAWN: Karsten Stork	DATED: 16.09.2009	RELEASED: -	DATED:
CHECKED: -	DATED: -	LAST SAVED 19.10.2009	SHEET: 7 OF 7

1 2 3 4 5 6 7 8 9 10