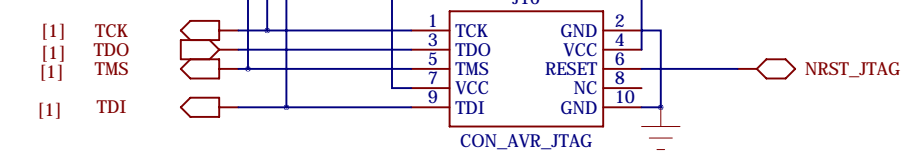
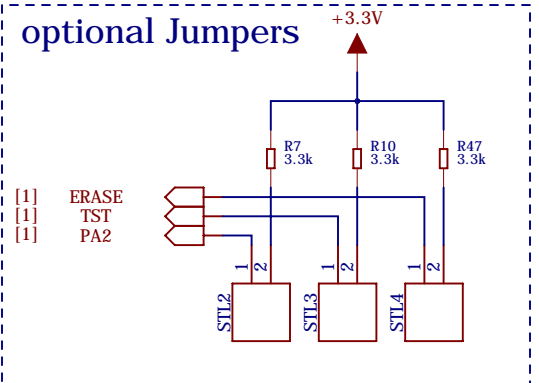
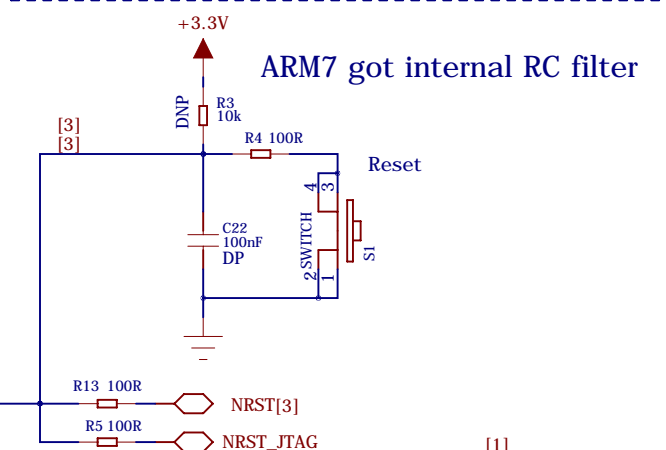
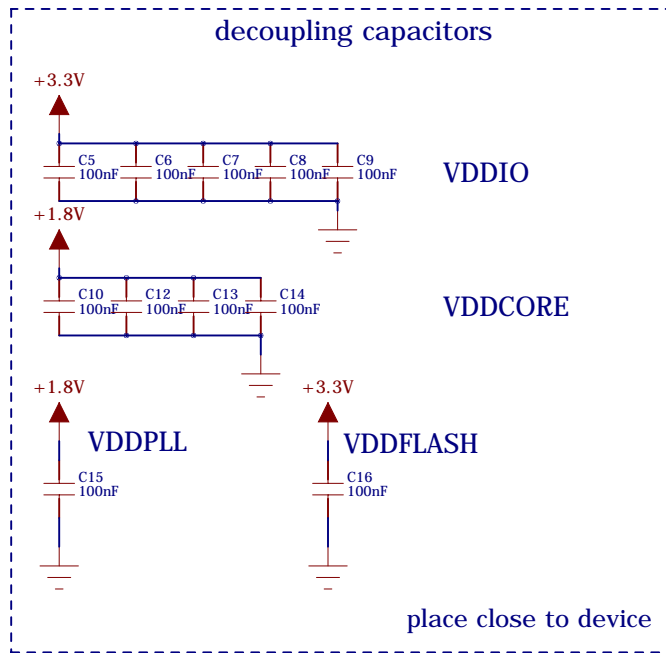
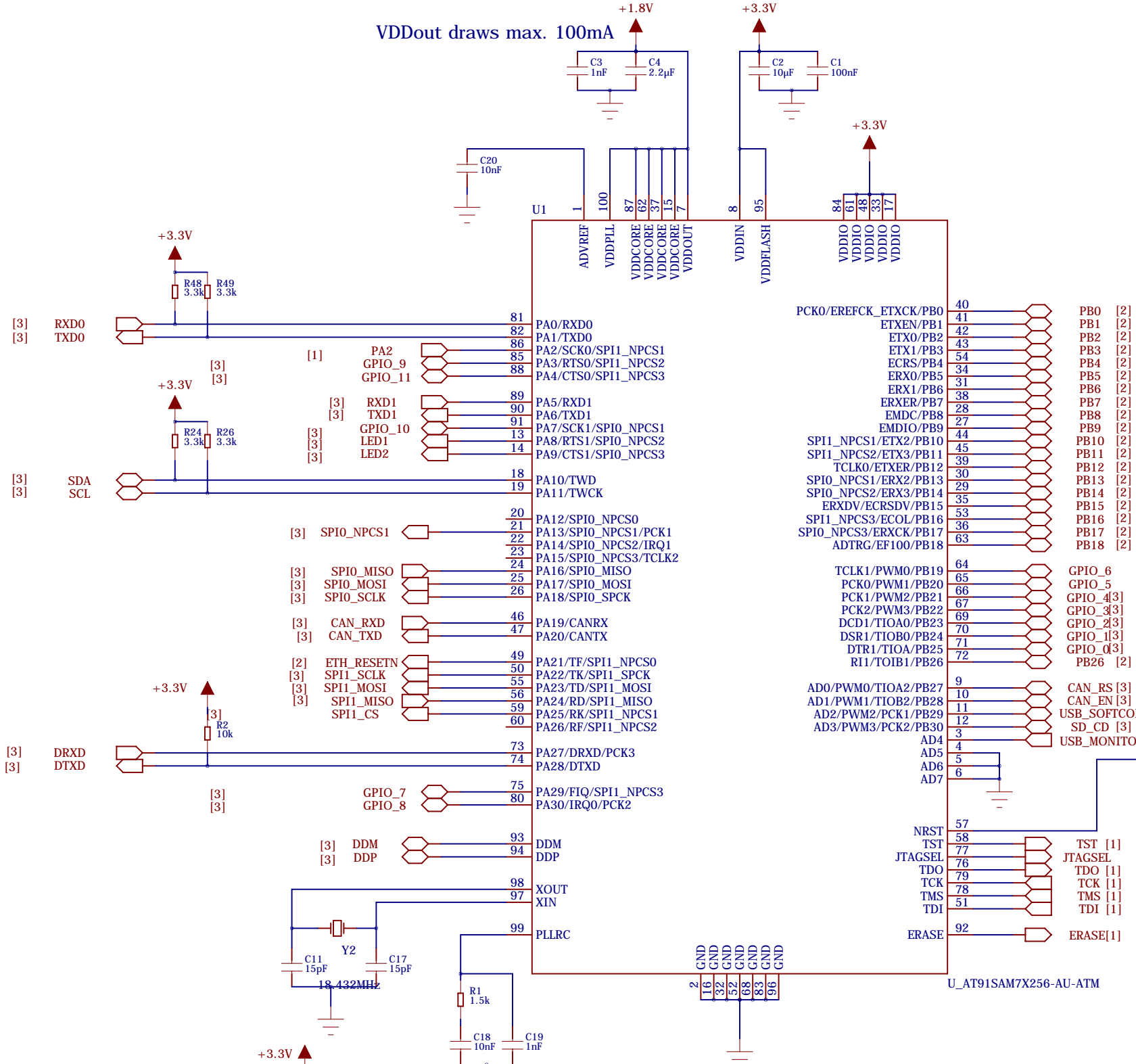


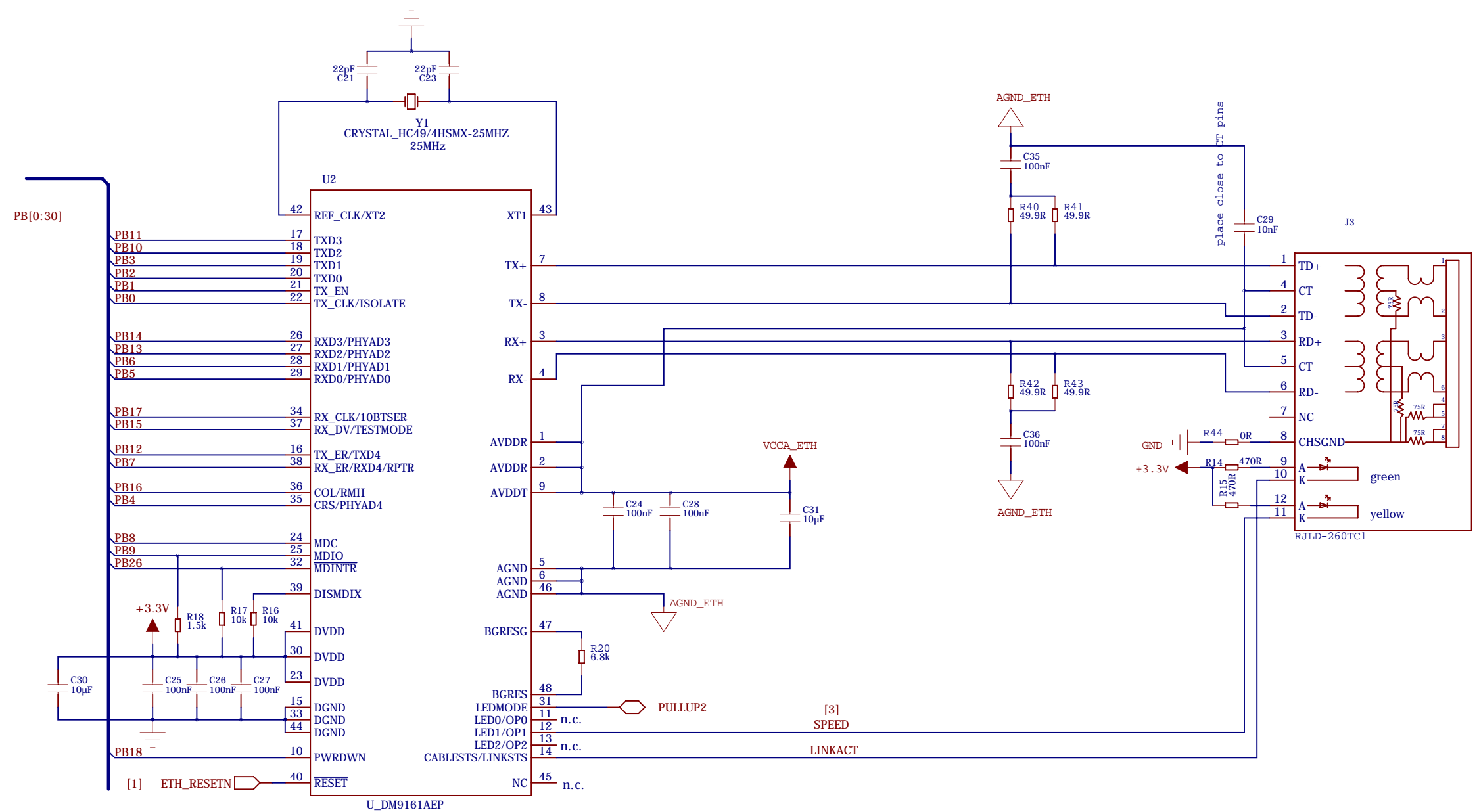
VDDout draws max. 100mA



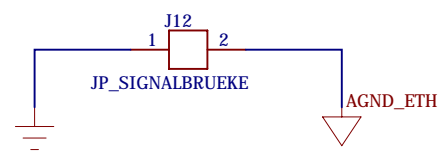
©Copyright by In-Circuit GmbH

**In-Circuit GmbH**  
 Königsbrücker Str. 69  
 D-01099 Dresden  
 Germany

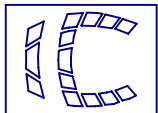
PROJECT TITLE: <b>ICswift SAM7X256</b>			
BOARD NO <b>61000003C</b>	SHEET TITLE <b>AT91SAM7XC256</b>	SIZE: <b>A3</b>	REV: <b>C</b>
DRAWN: <b>Lars Träger</b>	DATED: <b>11.03.2009</b>	RELEASED: <b>Lars Träger</b>	DATED: <b>11.03.2009</b>
CHECKED: <b>Karsten Stork</b>	DATED: <b>11.03.2009</b>	LAST SAVED <b>&lt;undefined&gt;</b>	SHEET: <b>1 OF 5</b>

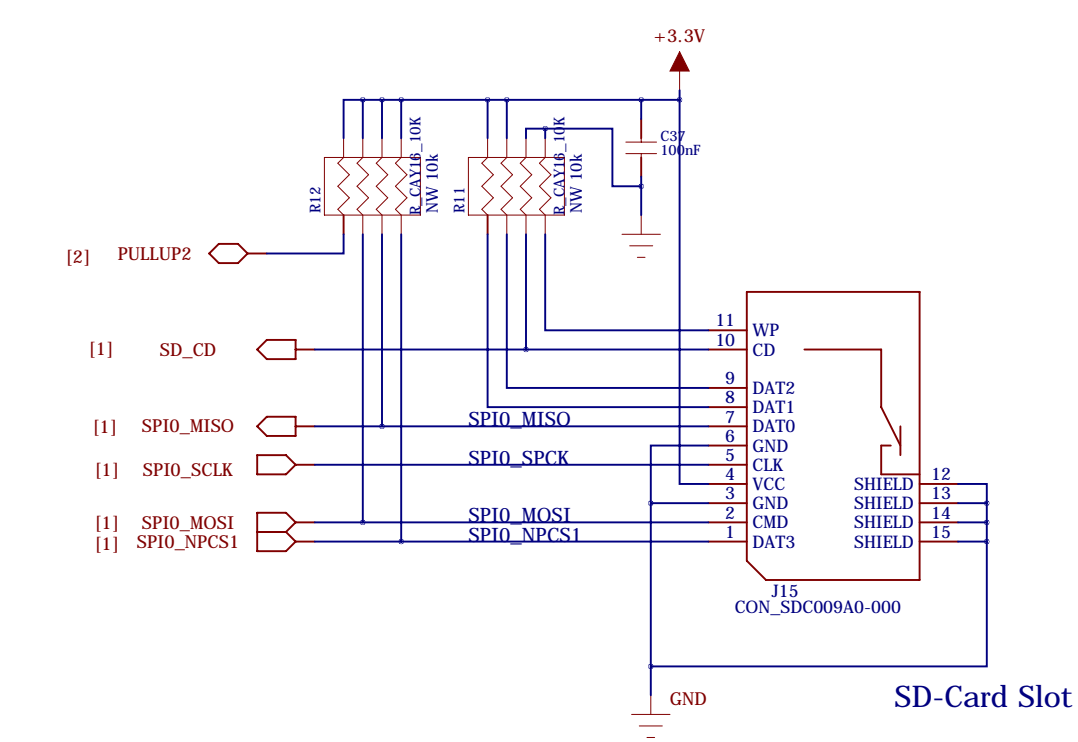
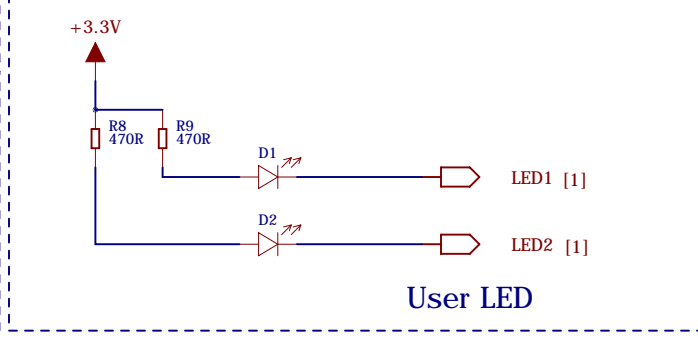
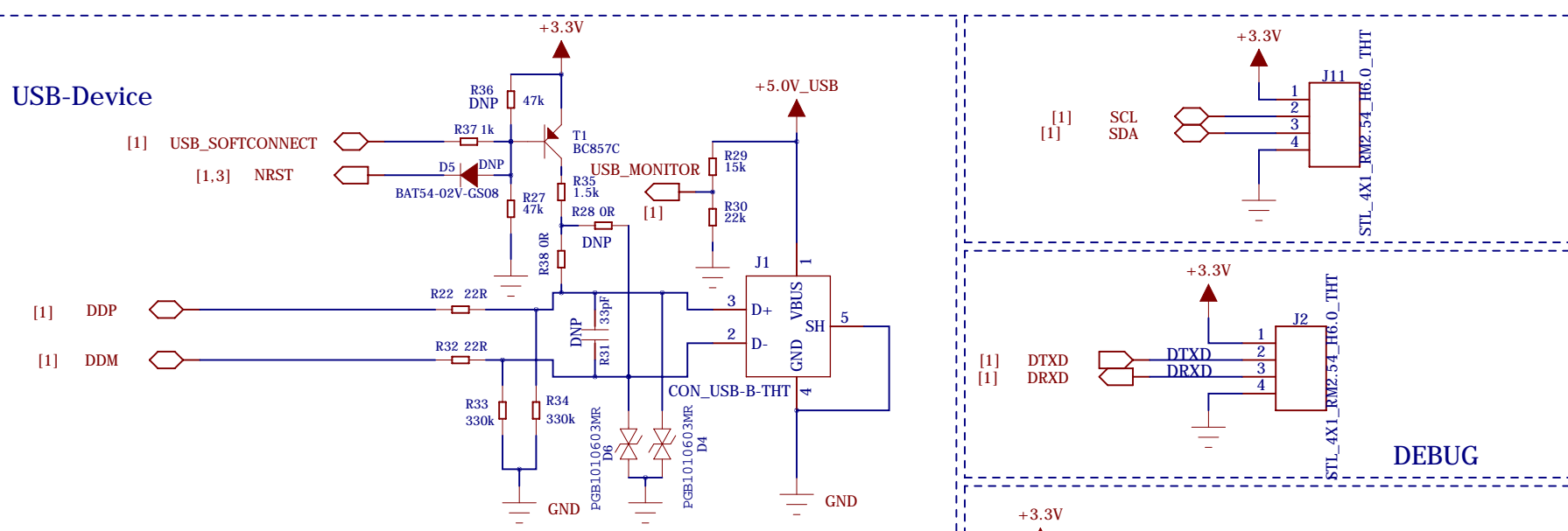
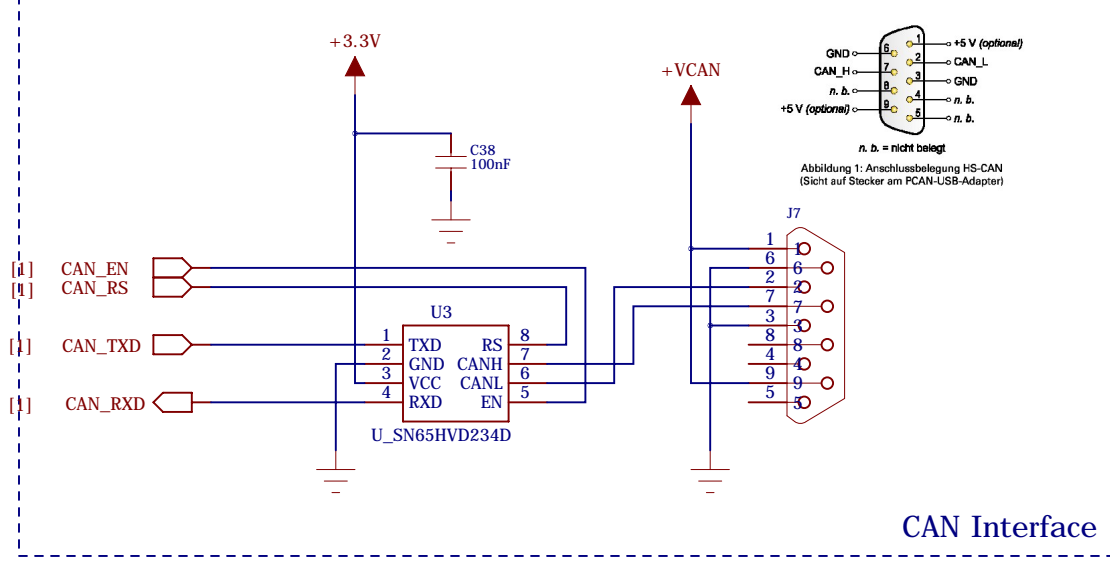
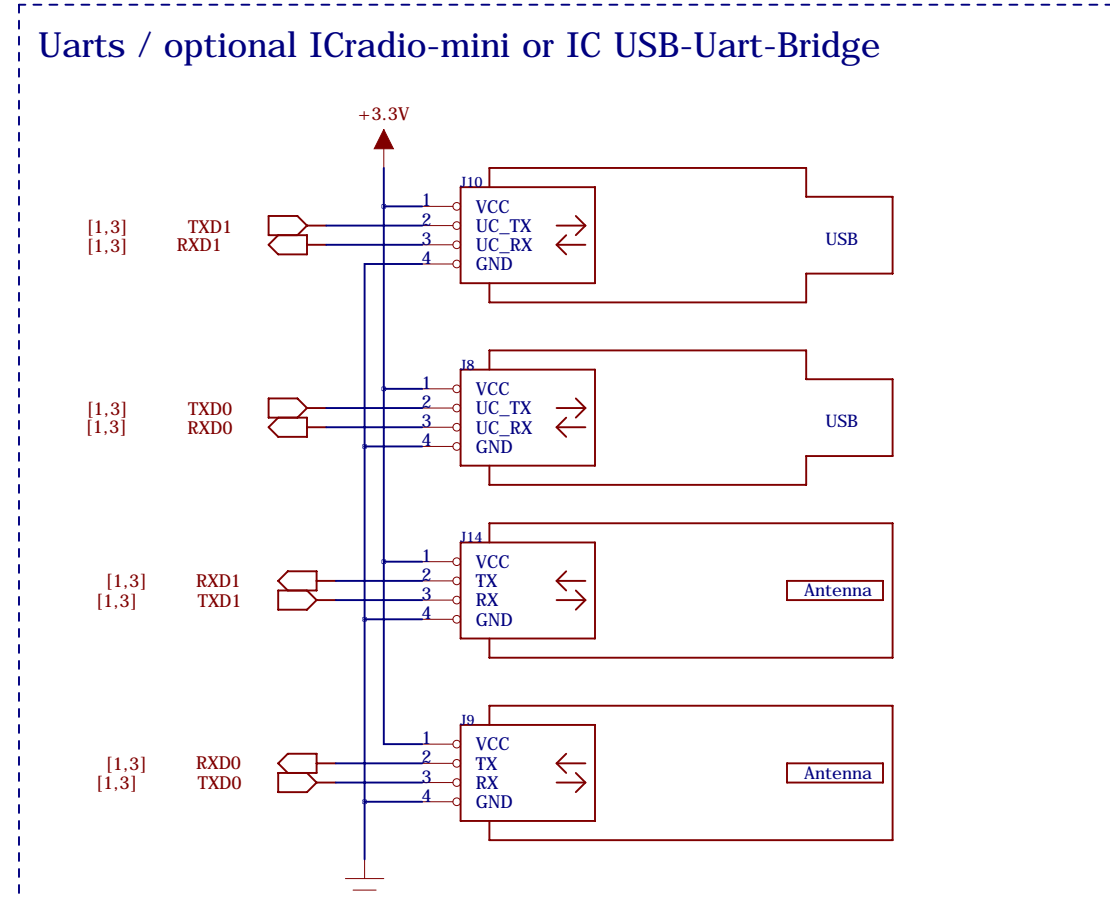
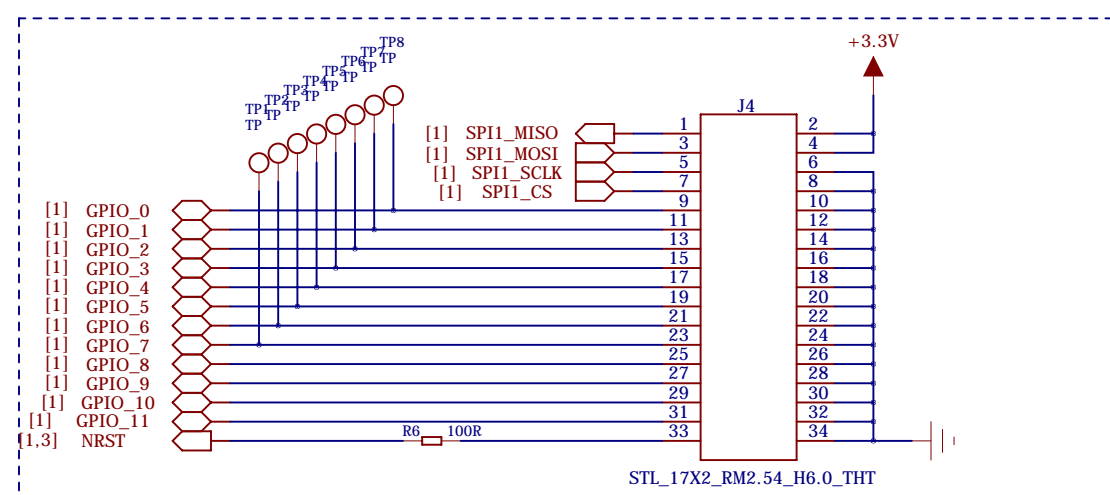


**NOTE:**  
 Chasis GND needs to be separated from AGND!  
 connect AGND and Chasis GND with narrow copper path



©Copyright by In-Circuit GmbH

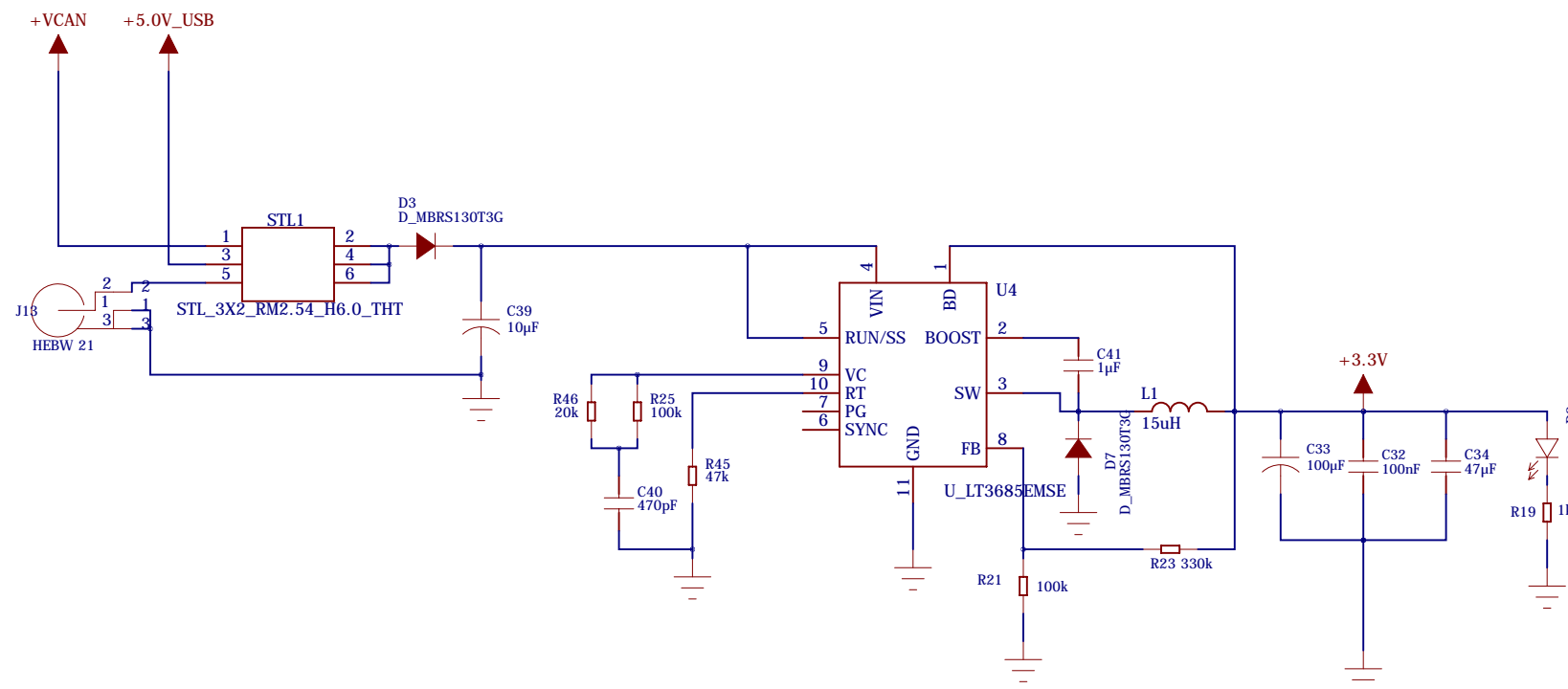
 In-Circuit GmbH Königsbrücker Str. 69 D-01099 Dresden Germany			
PROJECT TITLE: ICswift SAM7X256			
BOARD NO 61000003C	SHEET TITLE ETHERNET	SIZE A3	REV: C
DRAWN: Lars Träger	DATED: 11.03.2009	RELEASED: Lars Träger	DATED: 11.03.2009
CHECKED: Karsten Stork	DATED: 11.03.2009	LAST SAVED <undefined>	SHEET: 2 OF 5



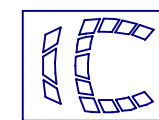
©Copyright by In-Circuit GmbH

In-Circuit GmbH  
Königsbrücker Str. 69  
D-01099 Dresden  
Germany

PROJECT TITLE: <b>ICswift SAM7X256</b>			
BOARD NO <b>610000003C</b>	SHEET TITLE <b>INTERFACE</b>	SIZE: <b>A3</b>	REV: <b>C</b>
DRAWN: <b>Lars Träger</b>	DATED: <b>11.03.2009</b>	RELEASED: <b>Lars Träger</b>	DATED: <b>11.03.2009</b>
CHECKED: <b>Karsten Stork</b>	DATED: <b>11.03.2009</b>	LAST SAVED <b>&lt;undefined&gt;</b>	SHEET: <b>3 OF 5</b>



©Copyright by In-Circuit GmbH



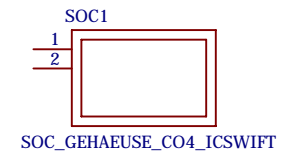
In-Circuit GmbH  
 Königsbrücker Str. 69  
 D-01099 Dresden  
 Germany

PROJECT TITLE: <b>ICswift SAM7X256</b>			
BOARD NO <b>610000003C</b>	SHEET TITLE <b>POWER</b>	SIZE: <b>A3</b>	REV: <b>C</b>
DRAWN: <b>Lars Träger</b>	DATED: <b>11.03.2009</b>	RELEASED: <b>Lars Träger</b>	DATED: <b>11.03.2009</b>
CHECKED: <b>Karsten Stork</b>	DATED: <b>11.03.2009</b>	LAST SAVED <b>&lt;undefined&gt;</b>	SHEET: <b>4 OF 5</b>

1 2 3 4 5 6 7 8 9 10

A

A



B

B

C

C

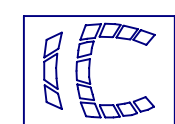
D

D

E

E

©Copyright by In-Circuit GmbH



In-Circuit GmbH  
Königsbrücker Str. 69  
D-01099 Dresden  
Germany

PROJECT TITLE: <b>ICswift SAM7X256</b>			
BOARD NO <b>610000003C</b>	SHEET TITLE <b>MECHANICAL</b>	SIZE: <b>A3</b>	REV: <b>C</b>
DRAWN: <b>Lars Träger</b>	DATED: <b>11.03.2009</b>	RELEASED: <b>Lars Träger</b>	DATED: <b>11.03.2009</b>
CHECKED: <b>Karsten Stork</b>	DATED: <b>11.03.2009</b>	LAST SAVED <b>&lt;undefined&gt;</b>	SHEET: 5 OF 5

1 2 3 4 5 6 7 8 9 10