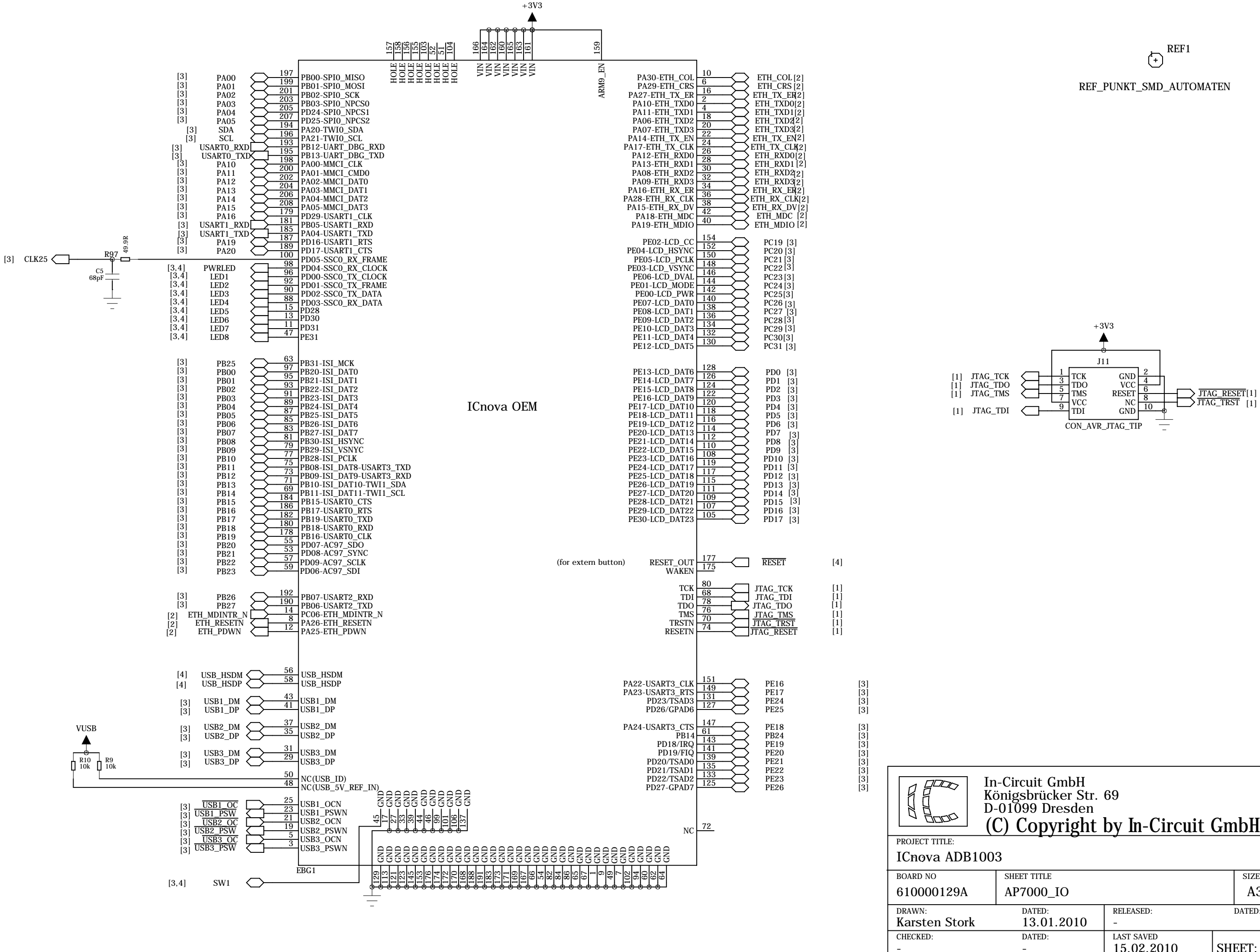
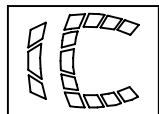


A
B
C
D
E

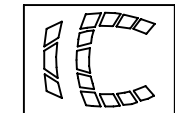
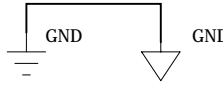
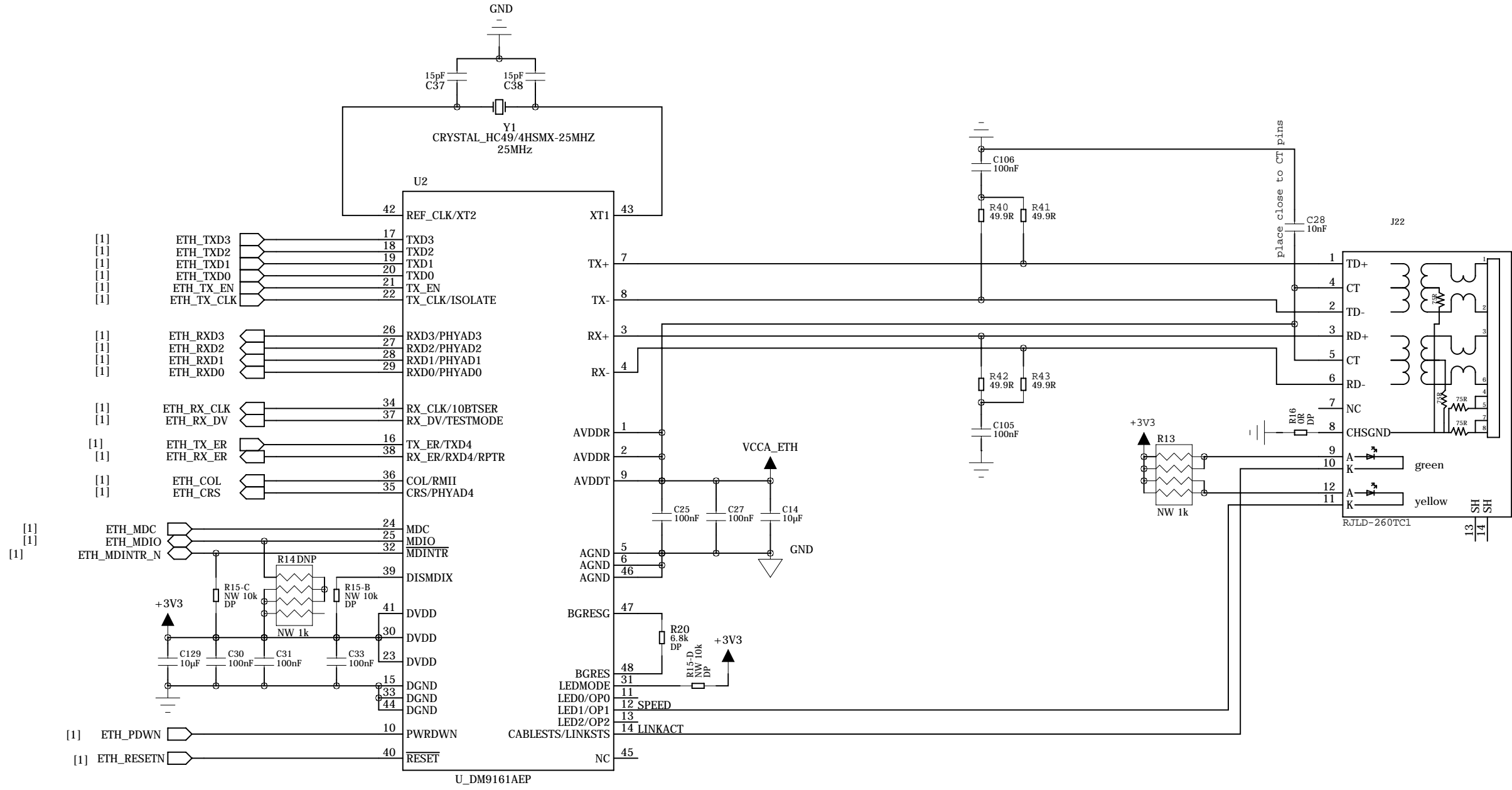




In-Circuit GmbH
 Königsbrücker Str. 69
 D-01099 Dresden
 (C) Copyright by In-Circuit GmbH

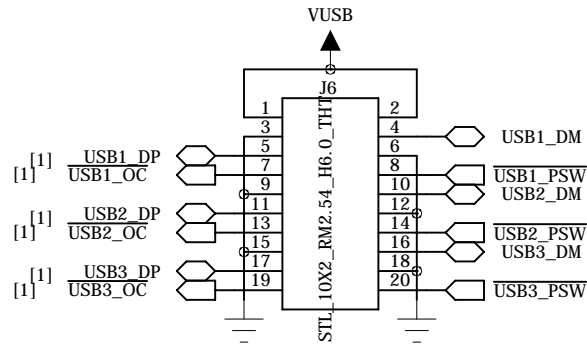
PROJECT TITLE:
ICnova ADB1003

BOARD NO 610000129A	SHEET TITLE AP7000_IO	SIZE: A3	REV: A
DRAWN: Karsten Stork	DATED: 13.01.2010	RELEASED: -	DATED:
CHECKED: -	DATED: -	LAST SAVED 15.02.2010	SHEET: 1 OF 5

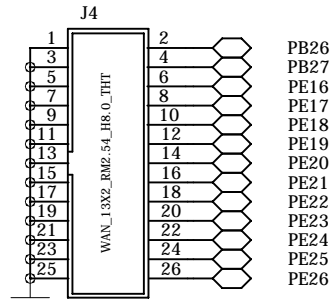
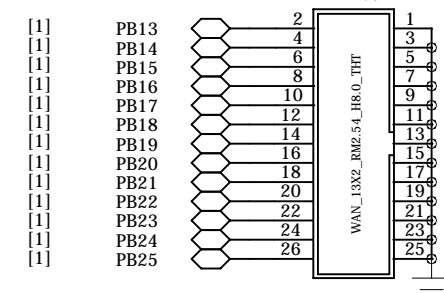
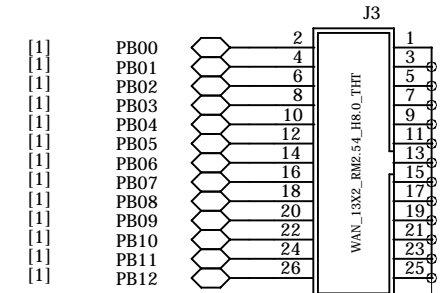


In-Circuit GmbH
 Königsbrücker Str. 69
 D-01099 Dresden
 (C) Copyright by In-Circuit GmbH

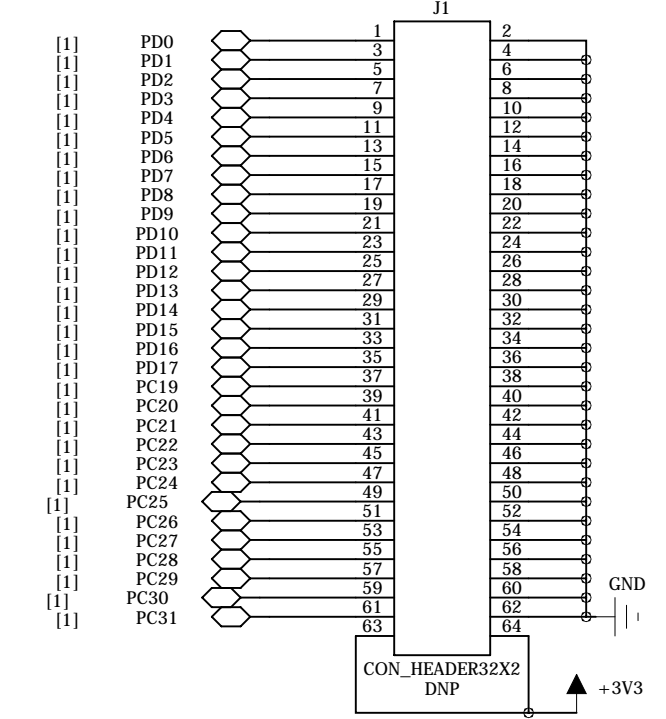
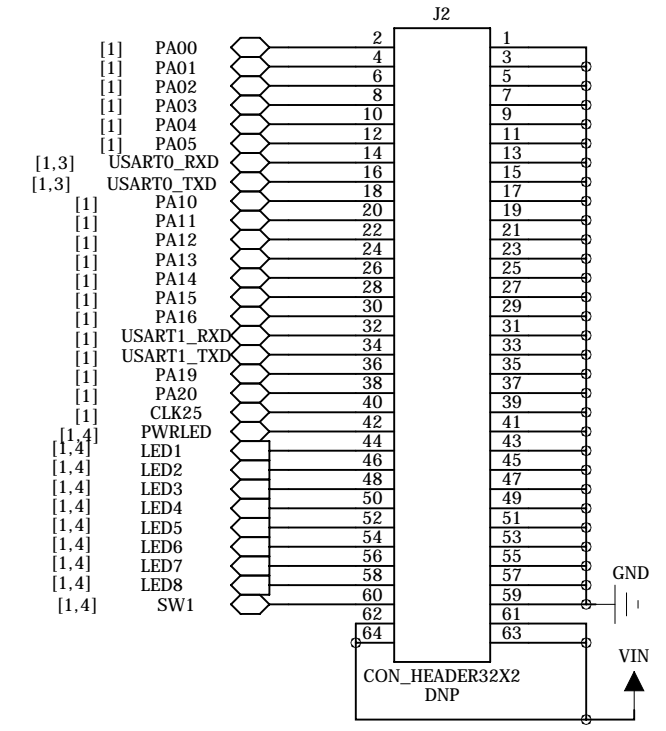
PROJECT TITLE: ICnova ADB1003			
BOARD NO 610000129A	SHEET TITLE ETHERNET	SIZE A3	REV: A
DRAWN: Karsten Stork	DATED: 13.01.2010	RELEASED: -	DATED:
CHECKED: -	DATED: -	LAST SAVED 15.02.2010	SHEET: 2 OF 5



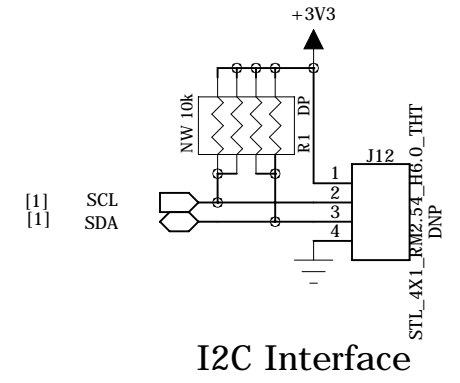
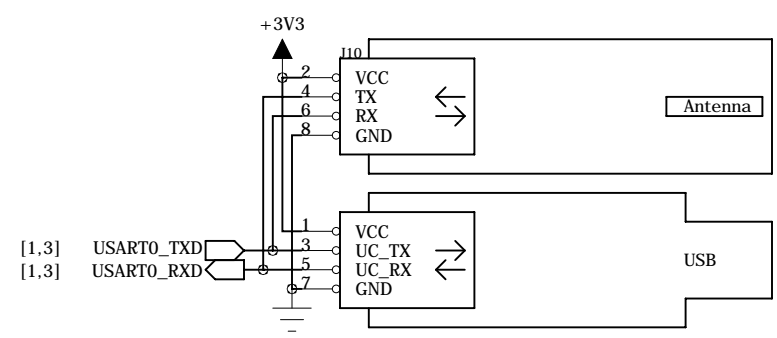
[1]
[1]
[1]
[1]
[1]

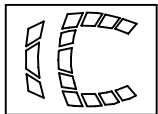


[1]
[1]
[1]
[1]
[1]
[1]
[1]
[1]
[1]
[1]
[1]
[1]



to be placed, to not interfere with the daughter board

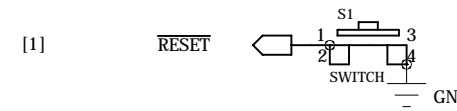
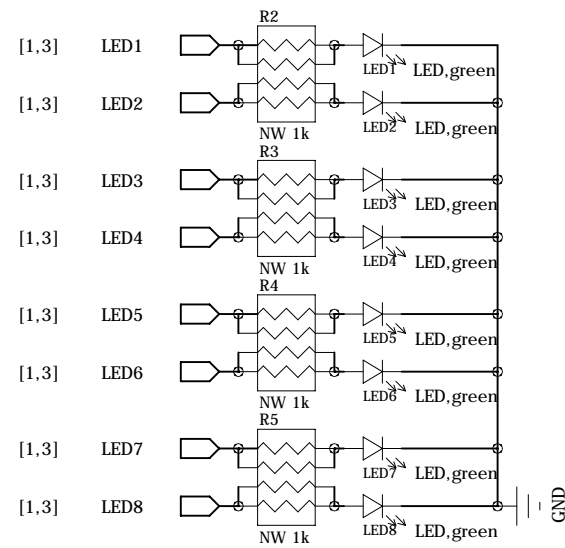
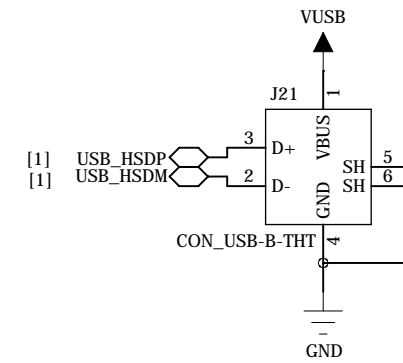
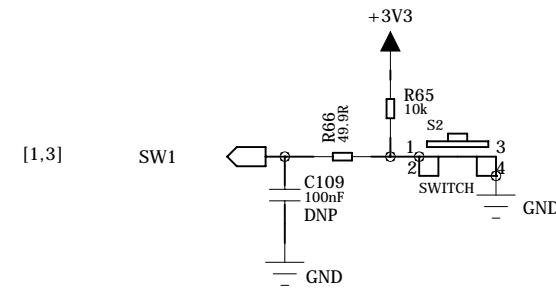
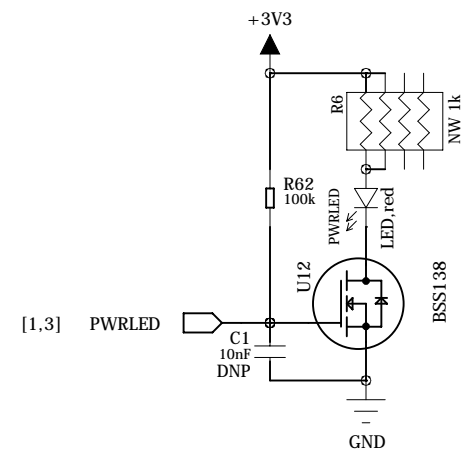


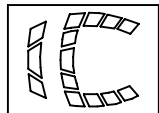


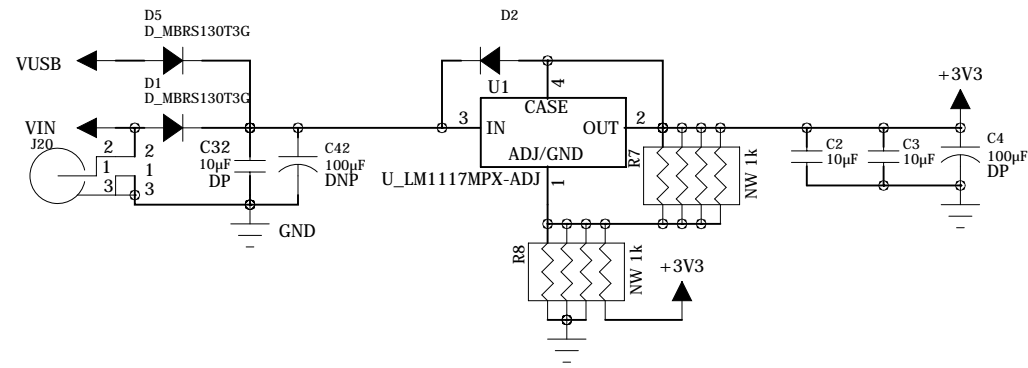
In-Circuit GmbH
Königsbrücker Str. 69
D-01099 Dresden
(C) Copyright by In-Circuit GmbH

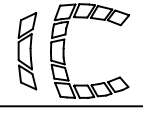
PROJECT TITLE:
ICnova ADB1003

BOARD NO 610000129A	SHEET TITLE CONNECTORS	SIZE: A3	REV: A
DRAWN: Karsten Stork	DATED: 13.01.2010	RELEASED: -	DATED:
CHECKED: -	DATED: -	LAST SAVED 15.02.2010	SHEET: 3 OF 5



		In-Circuit GmbH Königsbrücker Str. 69 D-01099 Dresden (C) Copyright by In-Circuit GmbH	
PROJECT TITLE: ICnova ADB1003			
BOARD NO	SHEET TITLE	SIZE:	REV:
610000129A	LEDS/USB/SWITCHES	A3	A
DRAWN:	DATED:	RELEASED:	DATED:
Karsten Stork	13.01.2010	-	-
CHECKED:	DATED:	LAST SAVED	SHEET: 4 OF 5
-	-	15.02.2010	



		In-Circuit GmbH Königsbrücker Str. 69 D-01099 Dresden	
		(C) Copyright by In-Circuit GmbH	
PROJECT TITLE: ICnova ADB1003			
BOARD NO 610000129A	SHEET TITLE POWER	SIZE: A3	REV: A
DRAWN: Karsten Stork	DATED: 13.01.2010	RELEASED: -	DATED: -
CHECKED: -	DATED: -	LAST SAVED 15.02.2010	SHEET: 5 OF 5

