


DW1000 Anchor

Anchor for Ranging / RTLS applications with
 DW1000 Ultra Wide Band module.



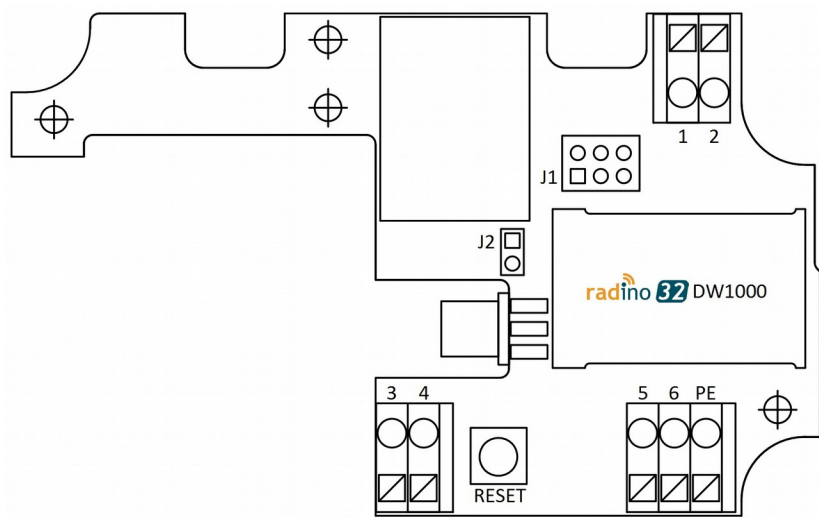
Features

- radino32 DW1000 module
- Integrated UWB antenna
- Vin 9-48V DC
- Enclosure IP 65
- RS485 Interface for data and setup
- 1x Relay 10A/250VAC, NC/NO-function switchable by jumper
- Connection: RS485(A/B/GND), Vin(9-48V), GND, 2xRelay

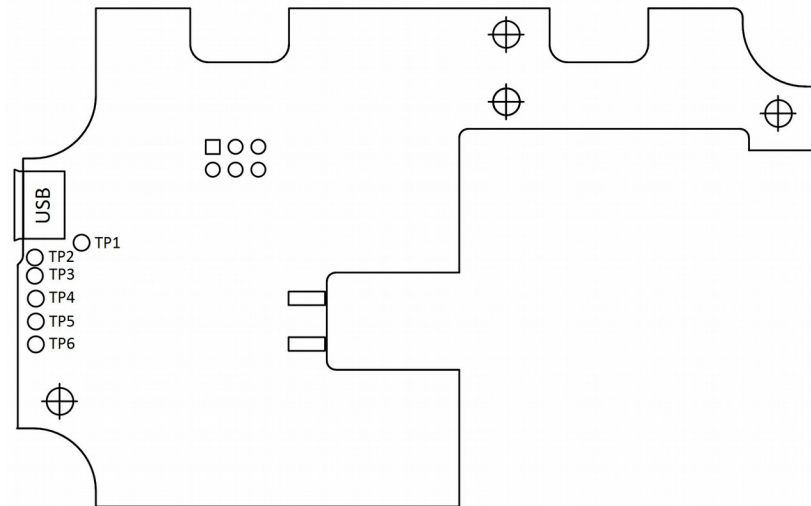
For more information visit:
<http://www.in-circuit.de/>
<http://www.radino.cc/>

Pinout

Top view



Bottom view



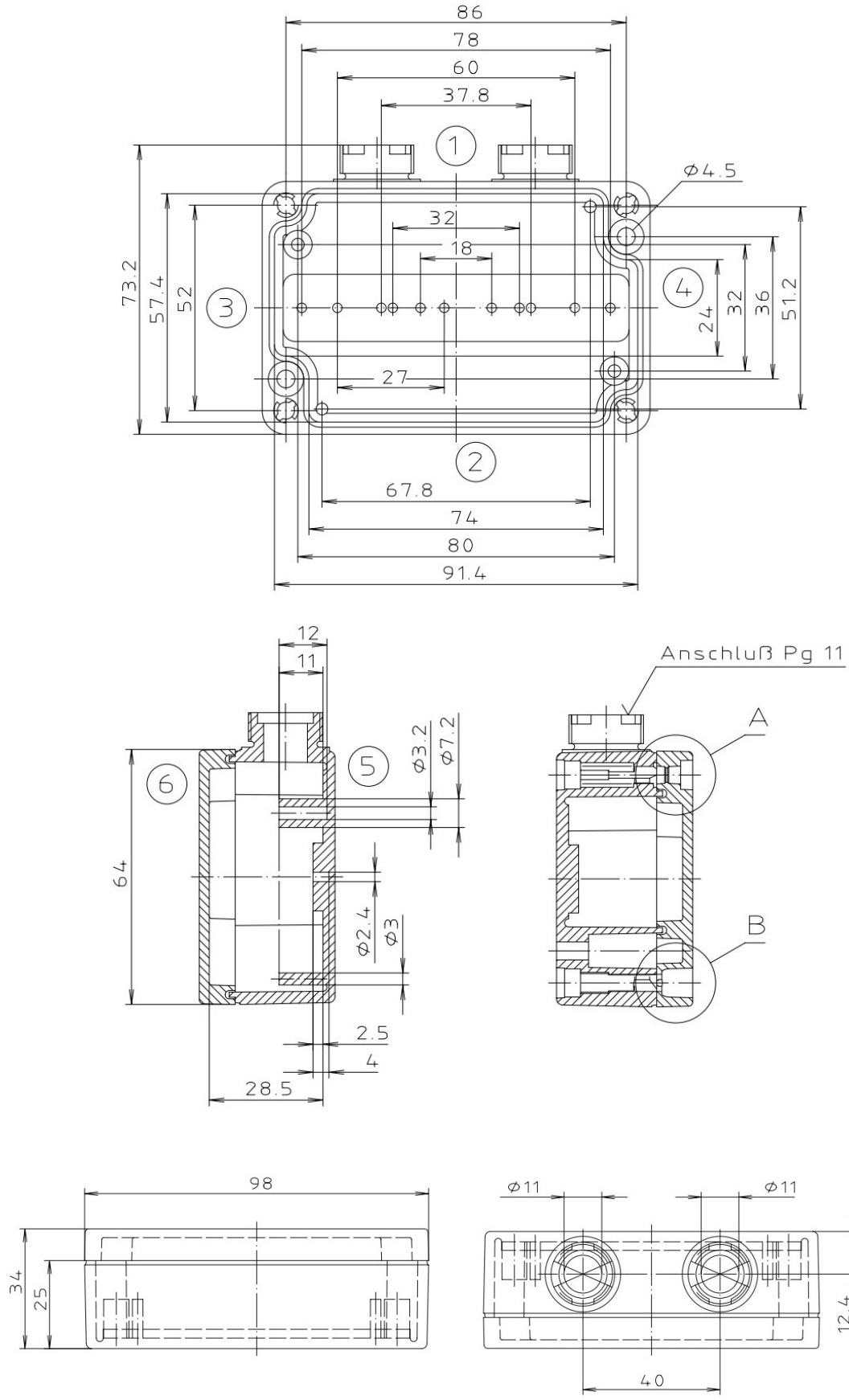
	Description
1	relay_NO
2	relay_COM
3	VIN
4	GND
5	RS485_B
6	RS485_A
PE	GND

J1	Description
1	RESET
2	+3V3
3	SWDIO
4	SWCLK
5	DBG_TX
6	GND

	Description
TP1	RESET
TP2	GND
TP3	UART_RX
TP4	UART_TX
TP5	+3V3
TP6	BSL

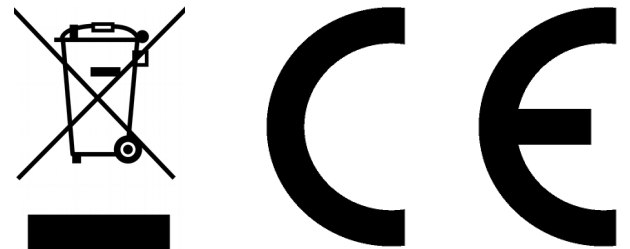
J2	Description
1	IO12
2	GND

Dimensions of enclosure



Ordering Information

Part	Ordering Code	MOQ	Package
DW1000 Anchor	901.395	1	Single device in box



Revision history:

Version	Date	Changes	Editor
A	2017/05/29	Initial Version	Grünig