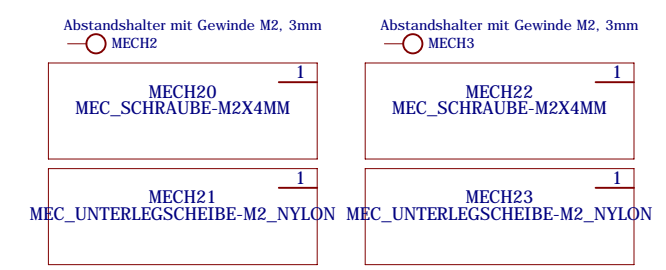
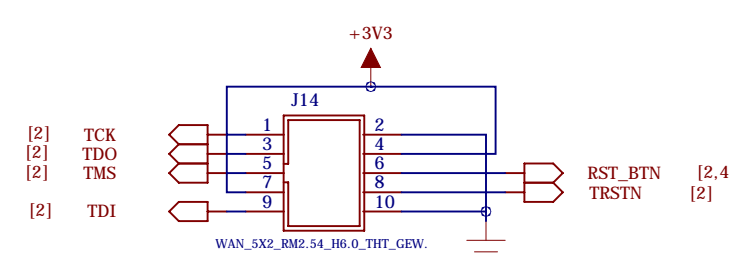
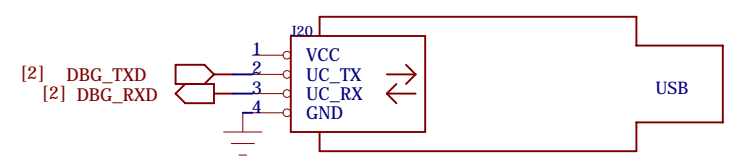
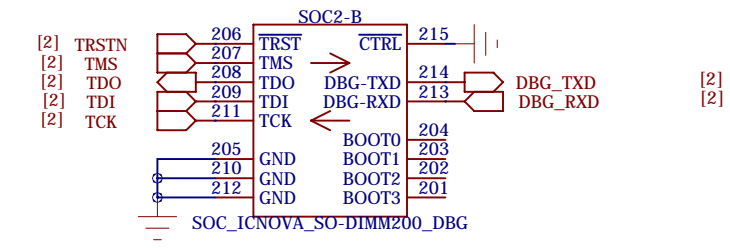
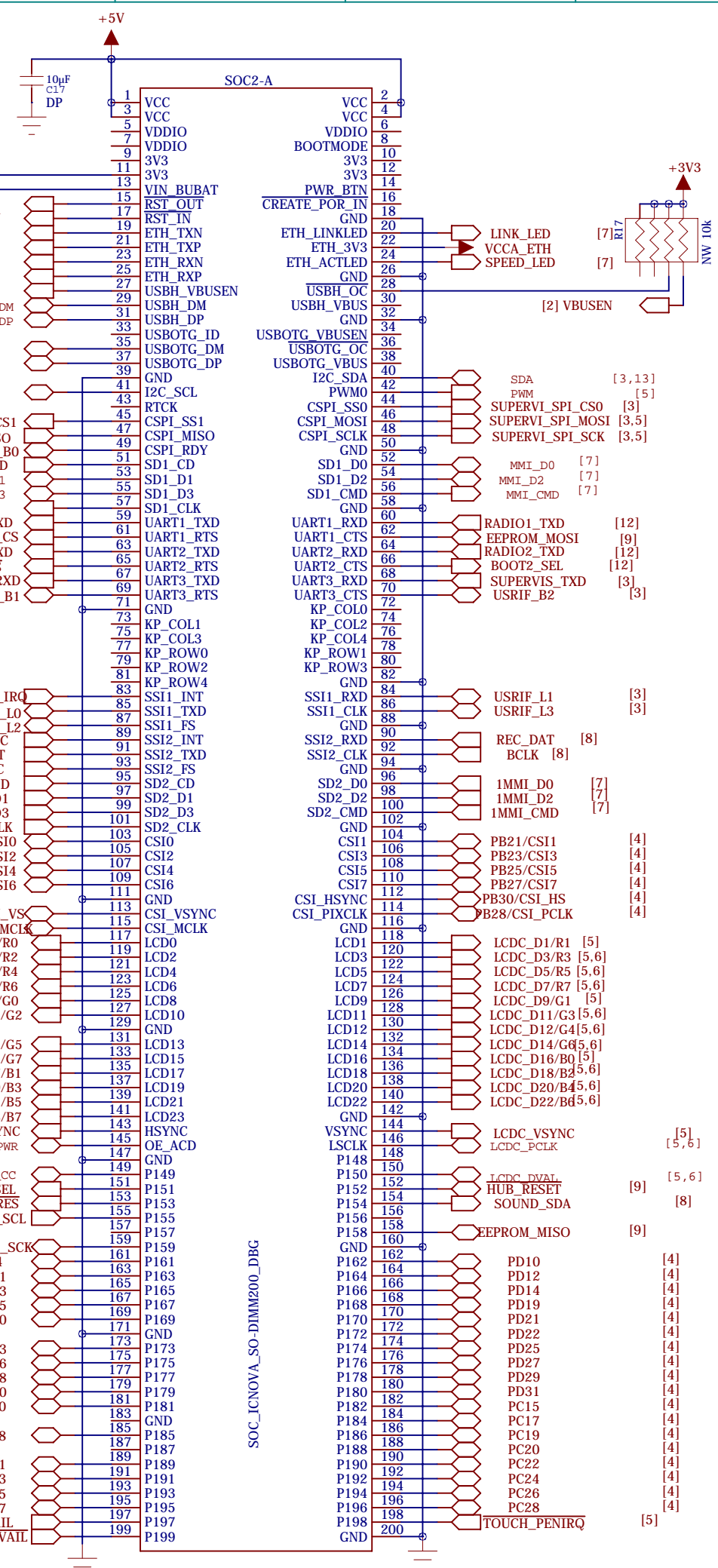
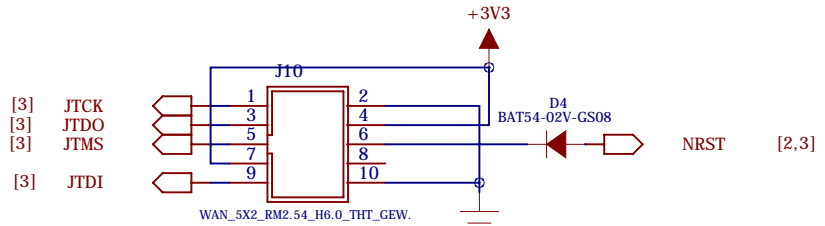
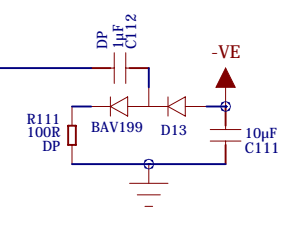
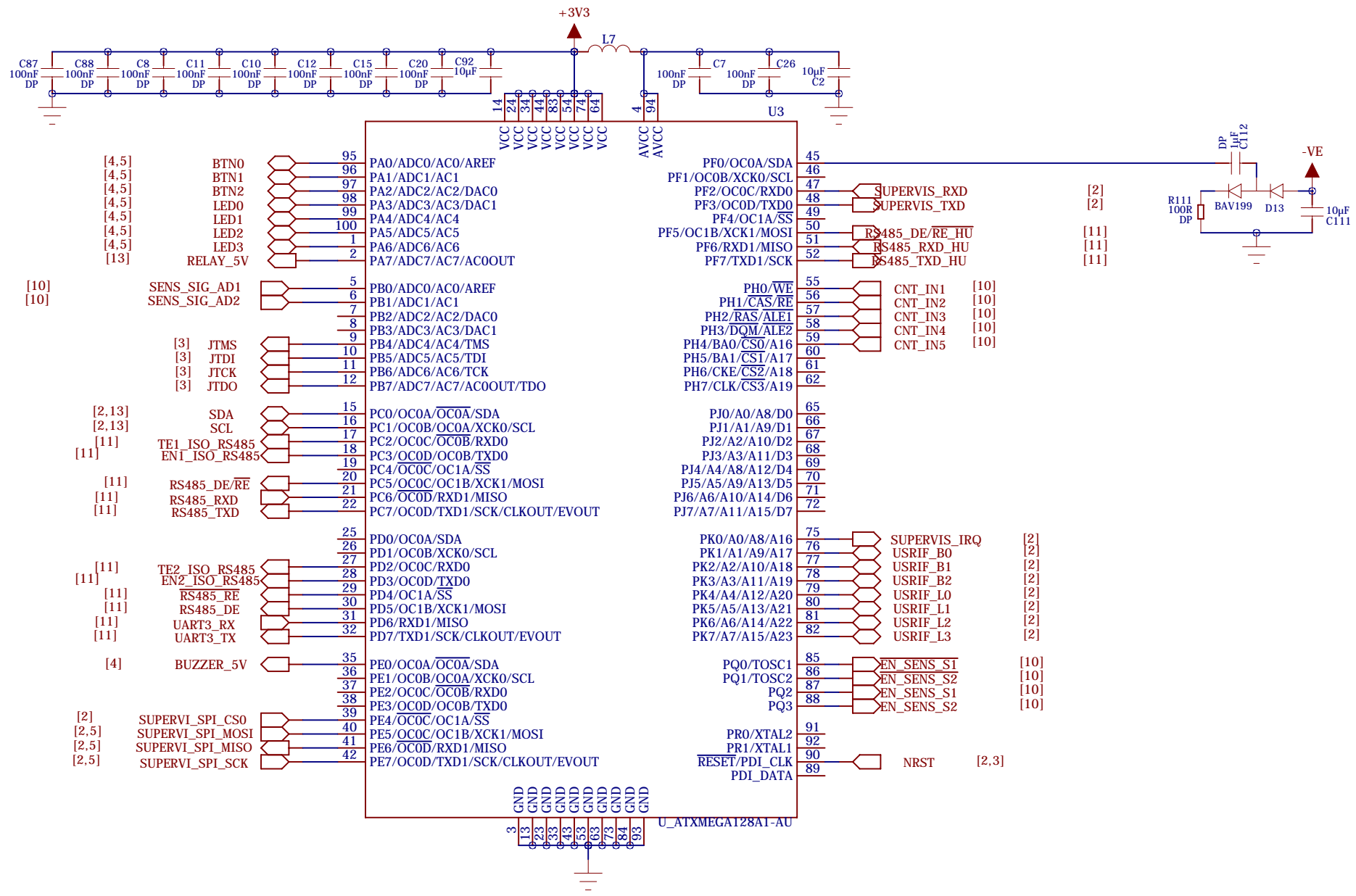


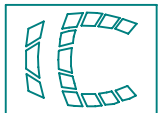
SAM9G45 Backup not used!

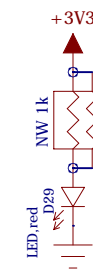
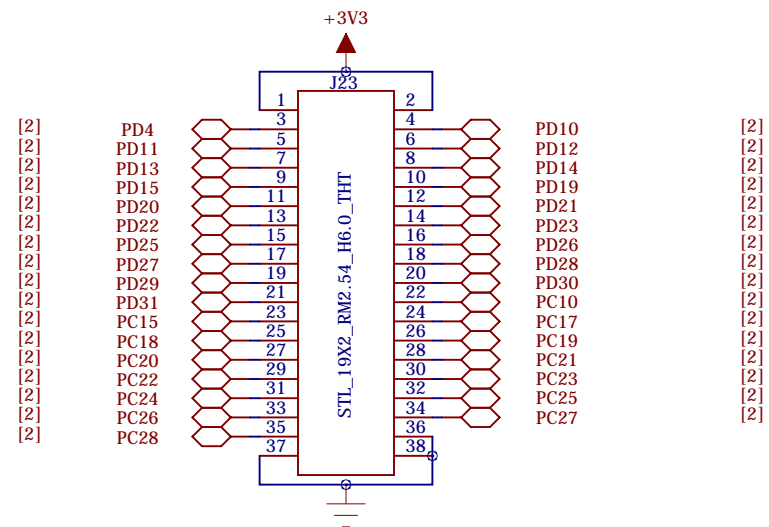
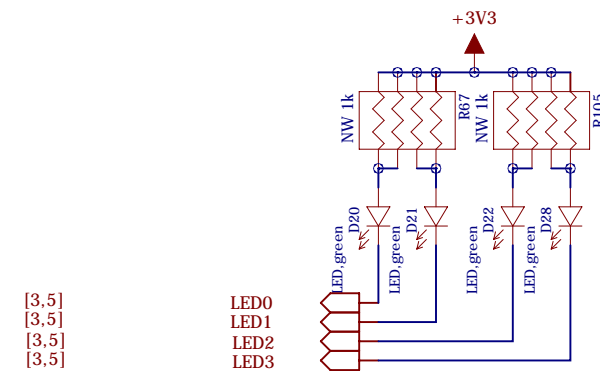
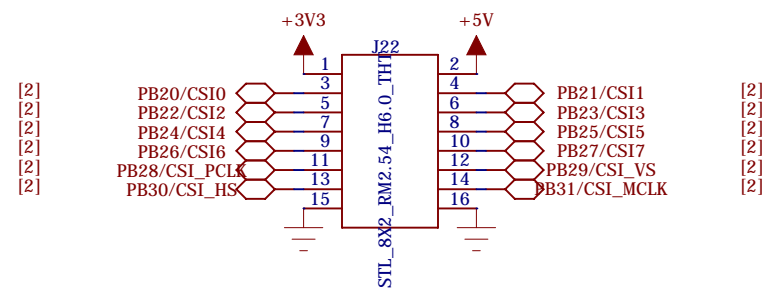
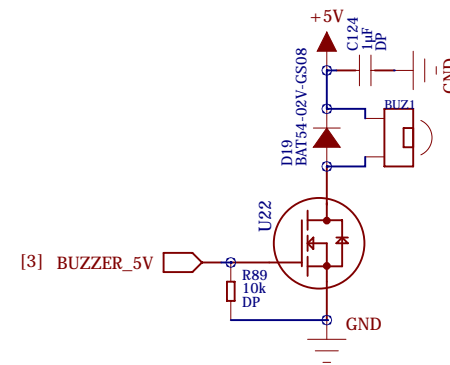
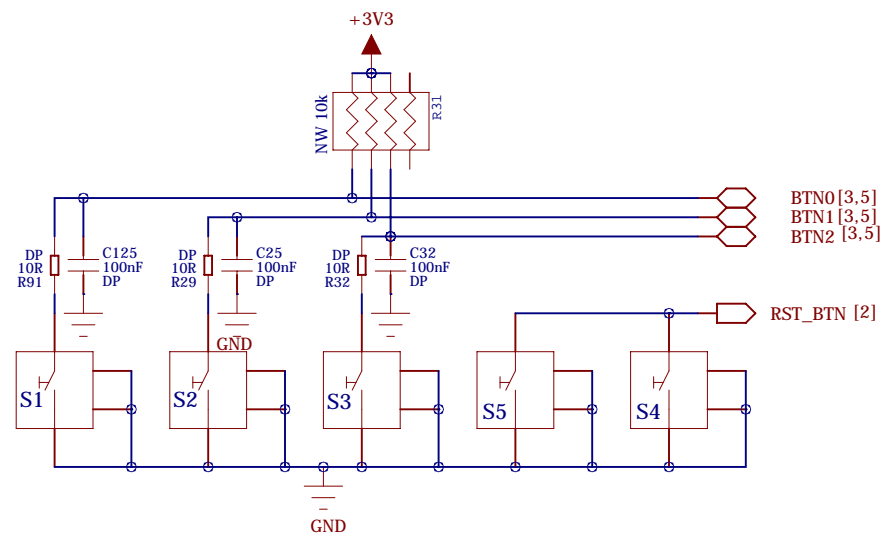



In-Circuit GmbH
 Königsbrücker Str. 69
 D-01099 Dresden
 (C) Copyright by In-Circuit GmbH

PROJECT TITLE: 610000157: ARROW DisplayDriver			
BOARD NO 625000155B	SHEET TITLE 2_ICNOVA_SAM9G45_SODIMM	SIZE: A3	REV: B
DRAWN: Steven Zimmermann	DATED: 30.08.2010	RELEASED: -	DATED:
CHECKED: -	DATED:	LAST SAVED 24.06.2013	SHEET: 2 OF 15

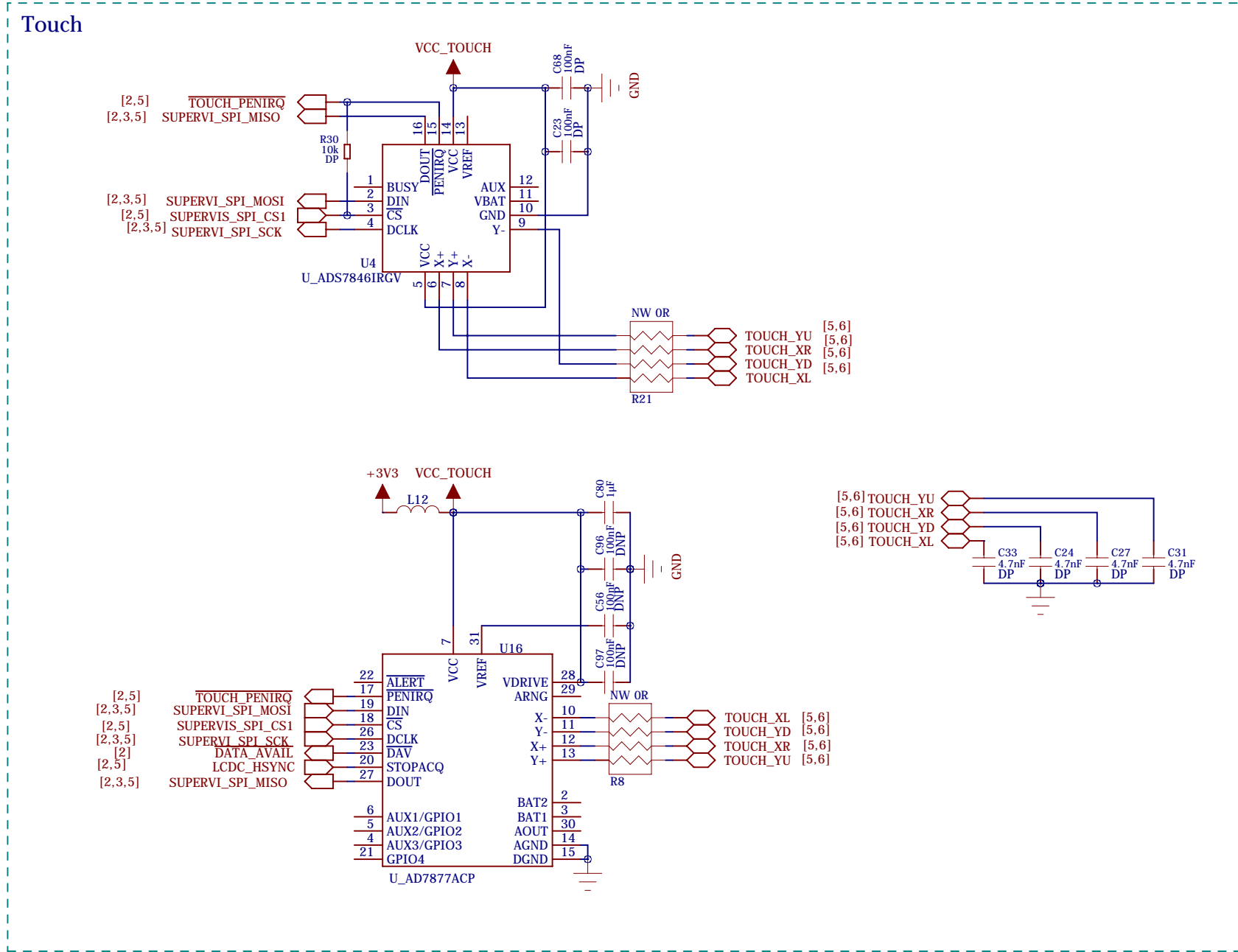
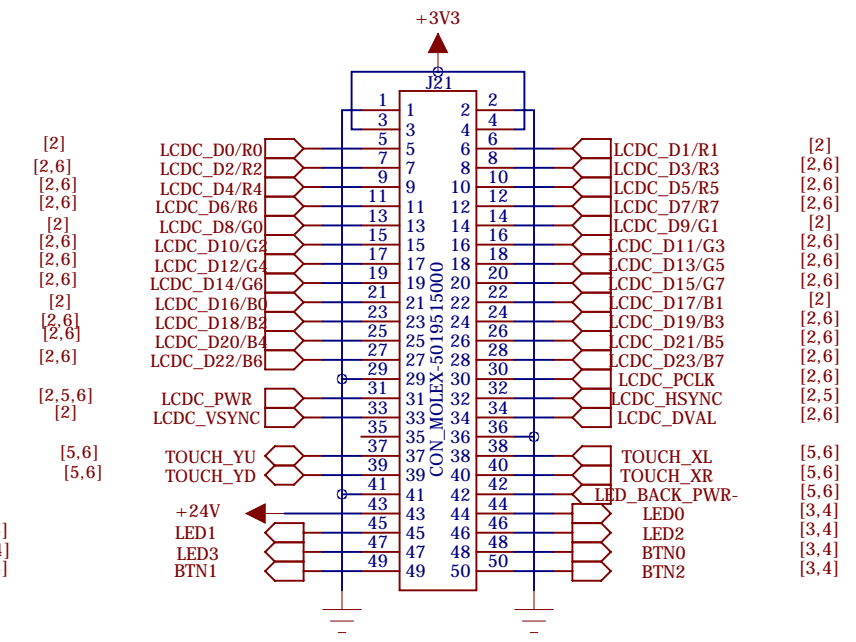
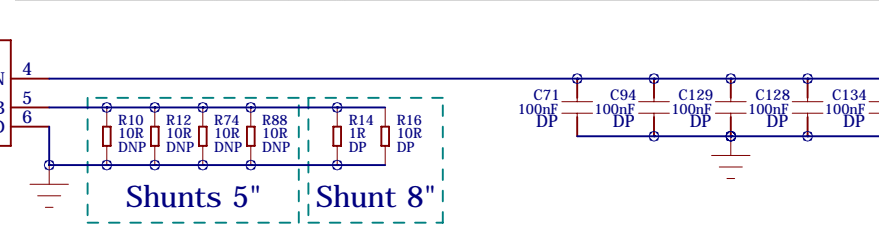



 In-Circuit GmbH Königsbrücker Str. 69 D-01099 Dresden (C) Copyright by In-Circuit GmbH			
PROJECT TITLE: 610000157: ARROW DisplayDriver			
BOARD NO 625000155B	SHEET TITLE 3_SUPERVISOR	SIZE A3	REV: B
DRAWN: Steven Zimmermann	DATED: 30.08.2010	RELEASED: -	DATED:
CHECKED: -	DATED: -	LAST SAVED 24.06.2013	SHEET: 3 OF 15



 In-Circuit GmbH Königsbrücker Str. 69 D-01099 Dresden (C) Copyright by In-Circuit GmbH			
BOARD NO	SHEET TITLE	SIZE:	REV:
625000155B	4_USER_IF	A3	B
DRAWN:	DATED:	RELEASED:	DATED:
Steven Zimmermann	30.08.2010	-	-
CHECKED:	DATED:	LAST SAVED	SHEET: 4 OF 15
-	-	24.06.2013	

Display	Größe	ILED_soll (mA)	Rs_soll (Ohm)	Rs (Ohm)	Pr (W)
ET050000DH6	5"	40	2,500	2,500	0,004
TX20D26VM0APA	8"	110	0,909	0,909	0,011





In-Circuit GmbH
Königsbrücker Str. 69
D-01099 Dresden
(C) Copyright by In-Circuit GmbH

PROJECT TITLE:
610000157: ARROW DisplayDriver

BOARD NO 625000155B	SHEET TITLE 5_ONBOARD-GRAPHIC_5"	SIZE: A3	REV: B
DRAWN: Steven Zimmermann	DATED: 30.08.2010	RELEASED: -	DATED:
CHECKED: -	DATED: -	LAST SAVED 24.06.2013	SHEET: 5 OF 15

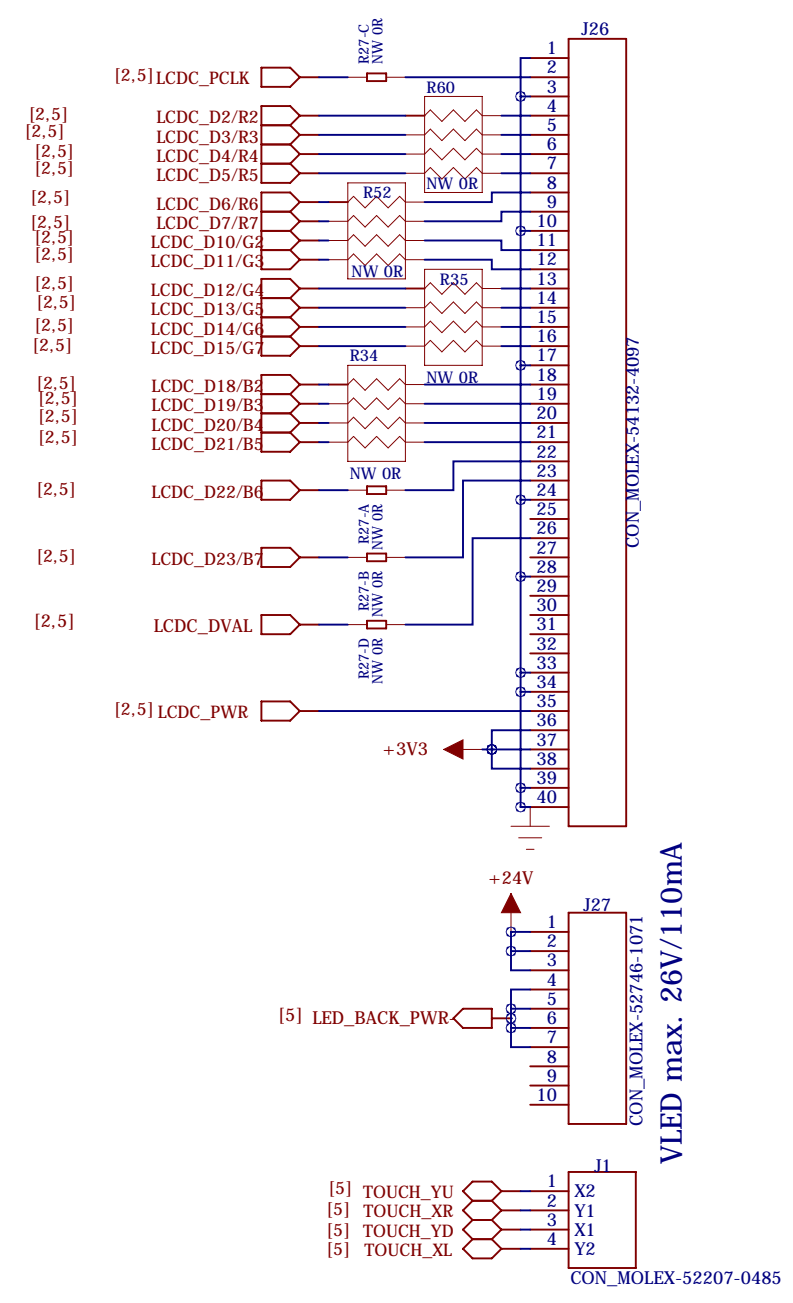
A

B


C

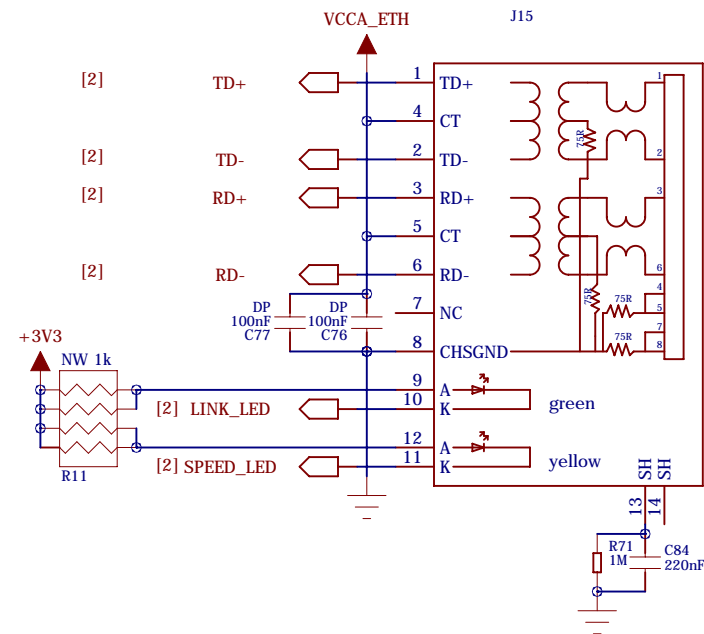
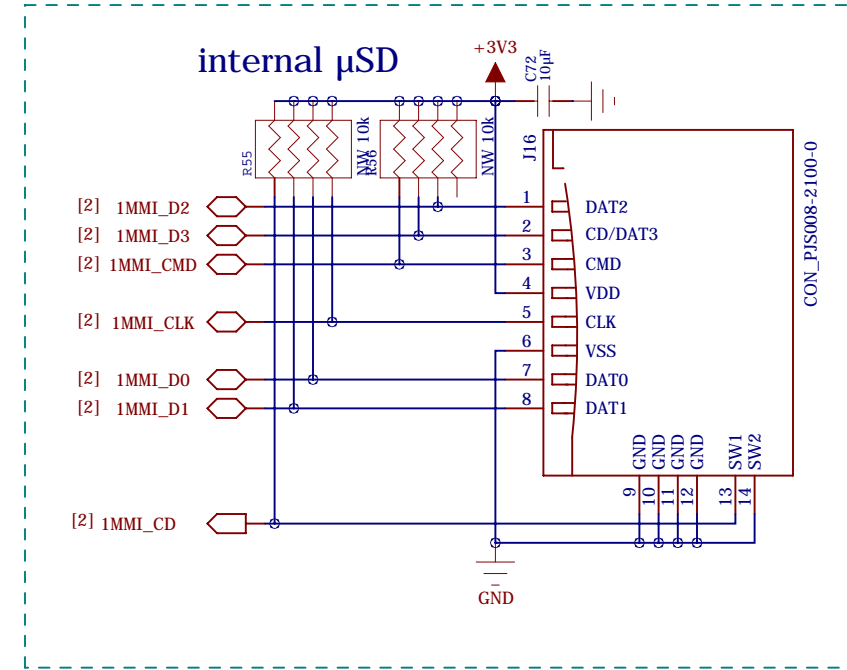
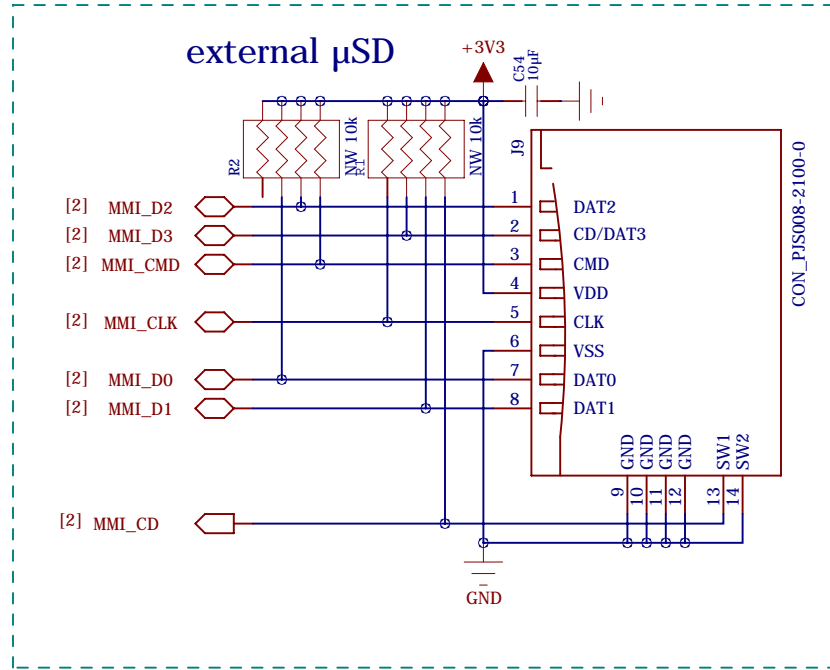
D

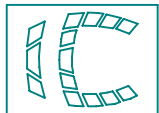
E

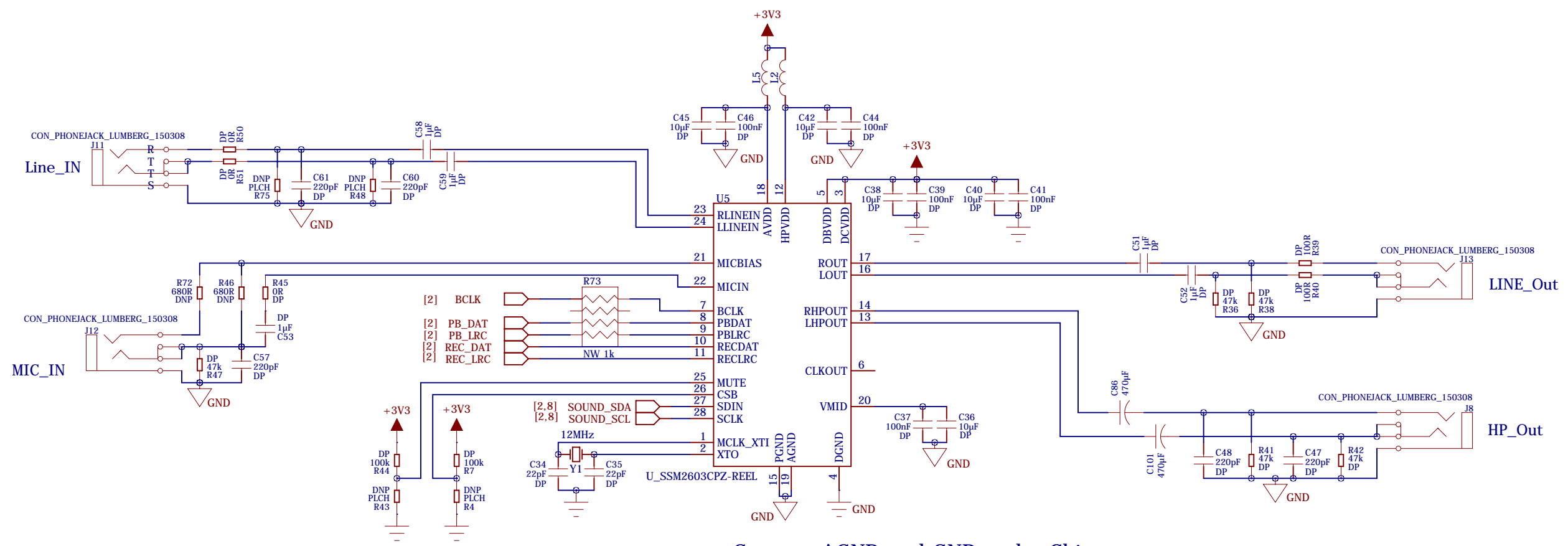


MECH4 MEC_SCHRAUBE-M2.5X8MM	MECH8 MEC_UNTERLEGSCHIEBE-M2.5_NYLON	MECH12 MEC_FEDERSCHIEBE-M2.5	MECH16 MEC_ABSTANDSBOLZEN-M2.5X20MM	MECH1 DISP_TX20D26VMOAPA_TEMP
MECH5 MEC_SCHRAUBE-M2.5X8MM	MECH9 MEC_UNTERLEGSCHIEBE-M2.5_NYLON	MECH13 MEC_FEDERSCHIEBE-M2.5	MECH17 MEC_ABSTANDSBOLZEN-M2.5X20MM	
MECH6 MEC_SCHRAUBE-M2.5X8MM	MECH10 MEC_UNTERLEGSCHIEBE-M2.5_NYLON	MECH14 MEC_FEDERSCHIEBE-M2.5	MECH18 MEC_ABSTANDSBOLZEN-M2.5X20MM	J2 CON_FFC-40_MOLEX-98266-0432
MECH7 MEC_SCHRAUBE-M2.5X8MM	MECH11 MEC_UNTERLEGSCHIEBE-M2.5_NYLON	MECH15 MEC_FEDERSCHIEBE-M2.5	MECH19 MEC_ABSTANDSBOLZEN-M2.5X20MM	

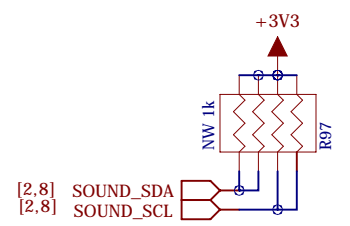
 In-Circuit GmbH Königsbrücker Str. 69 D-01099 Dresden (C) Copyright by In-Circuit GmbH			
PROJECT TITLE: 610000157: ARROW DisplayDriver			
BOARD NO 625000155B	SHEET TITLE 6_ONBOARD-GRAPHIC_8"	SIZE: A3	REV: B
DRAWN: Steven Zimmermann	DATED: 30.08.2010	RELEASED: -	DATED:
CHECKED: -	DATED: -	LAST SAVED 24.06.2013	SHEET: 6 OF 15




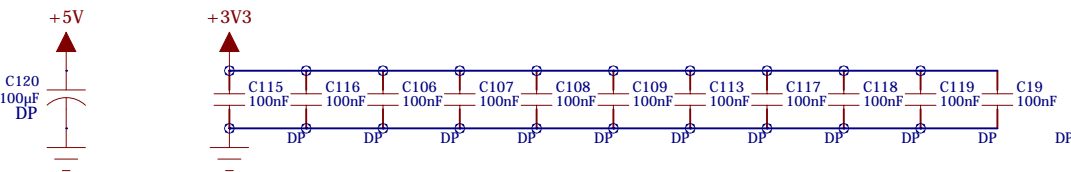
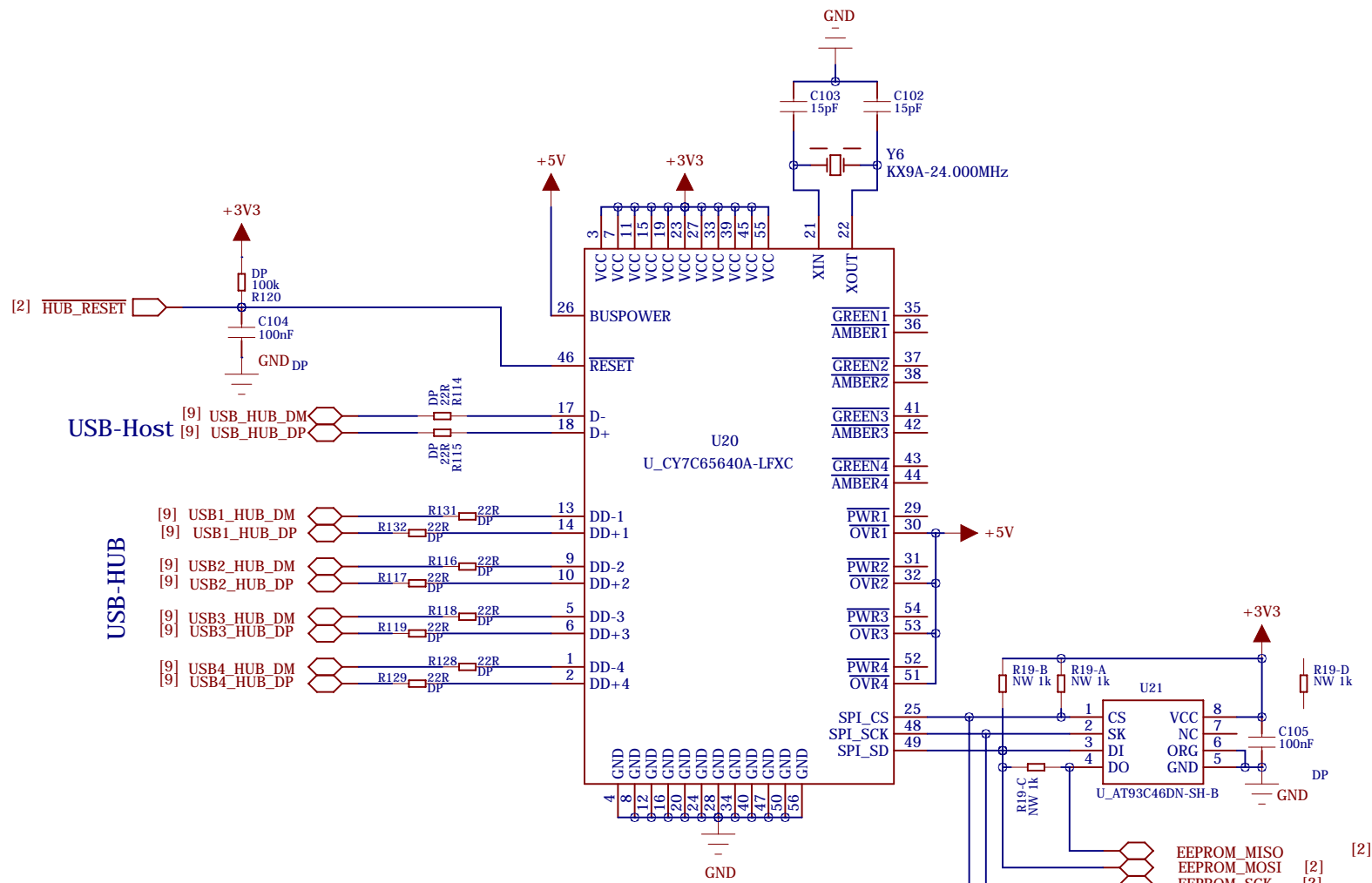
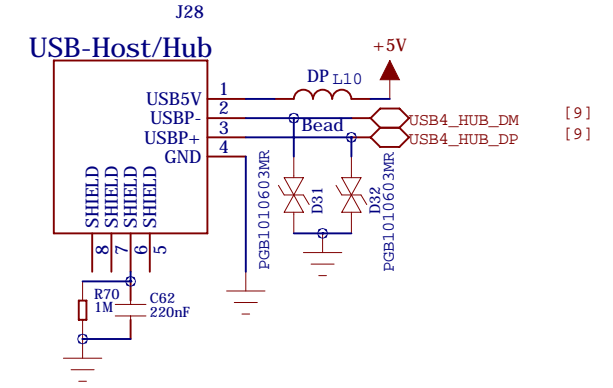
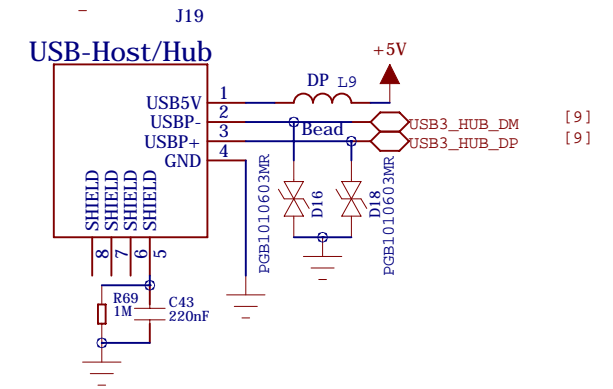
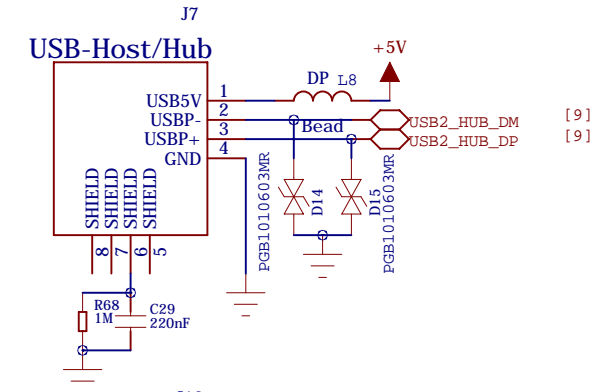
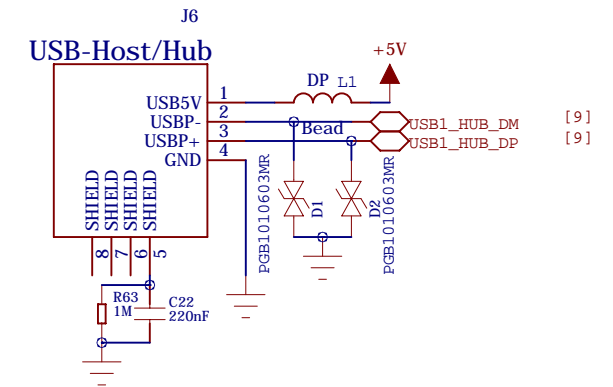
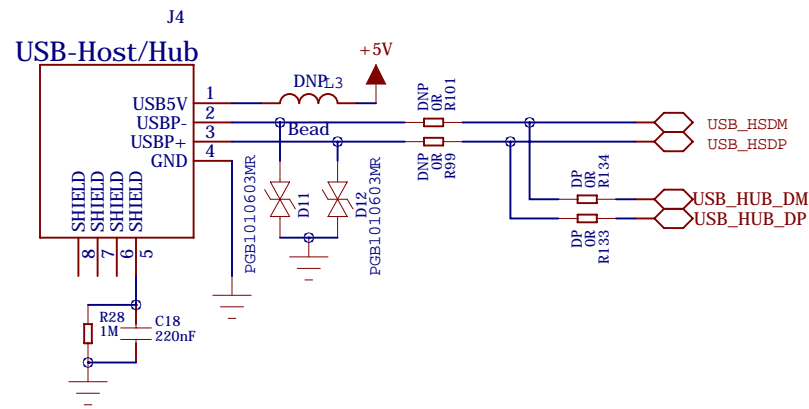
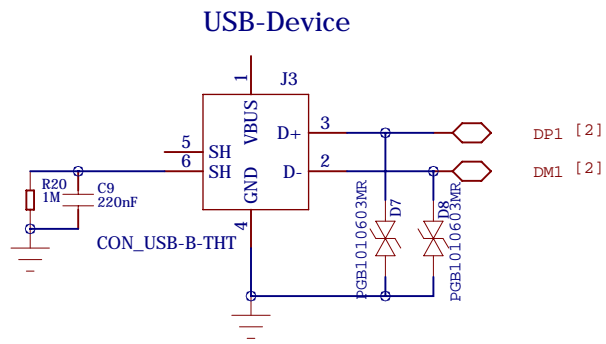
 In-Circuit GmbH Königsbrücker Str. 69 D-01099 Dresden (C) Copyright by In-Circuit GmbH			
PROJECT TITLE: 610000157: ARROW DisplayDriver			
BOARD NO 625000155B	SHEET TITLE 7_μSD-CARDS/ETH	SIZE: A3	REV: B
DRAWN: Steven Zimmermann	DATED: 30.08.2010	RELEASED: -	DATED:
CHECKED: -	DATED:	LAST SAVED 24.06.2013	SHEET: 7 OF 15



Connect AGND and GND under Chip



 In-Circuit GmbH Königsbrücker Str. 69 D-01099 Dresden (C) Copyright by In-Circuit GmbH		PROJECT TITLE:	
		610000157: ARROW DisplayDriver	
BOARD NO	SHEET TITLE	SIZE:	REV:
625000155B	8_SOUND	A3	B
DRAWN:	DATED:	RELEASED:	DATED:
Steven Zimmermann	30.08.2010	-	-
CHECKED:	DATED:	LAST SAVED	SHEET: 8 OF 15
-	-	24.06.2013	

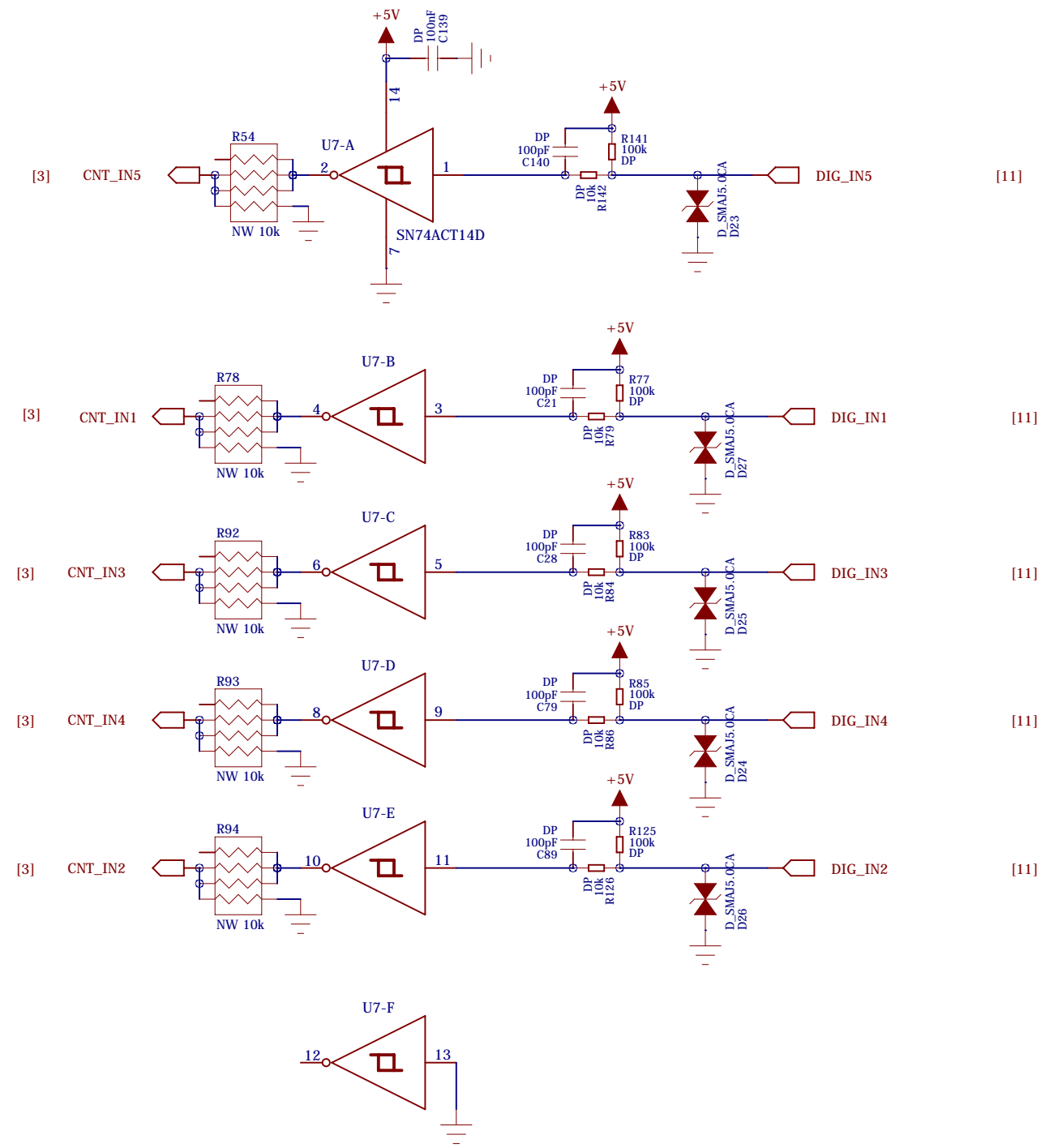


In-Circuit GmbH
 Königsbrücker Str. 69
 D-01099 Dresden
 (C) Copyright by In-Circuit GmbH

PROJECT TITLE:
610000157: ARROW DisplayDriver

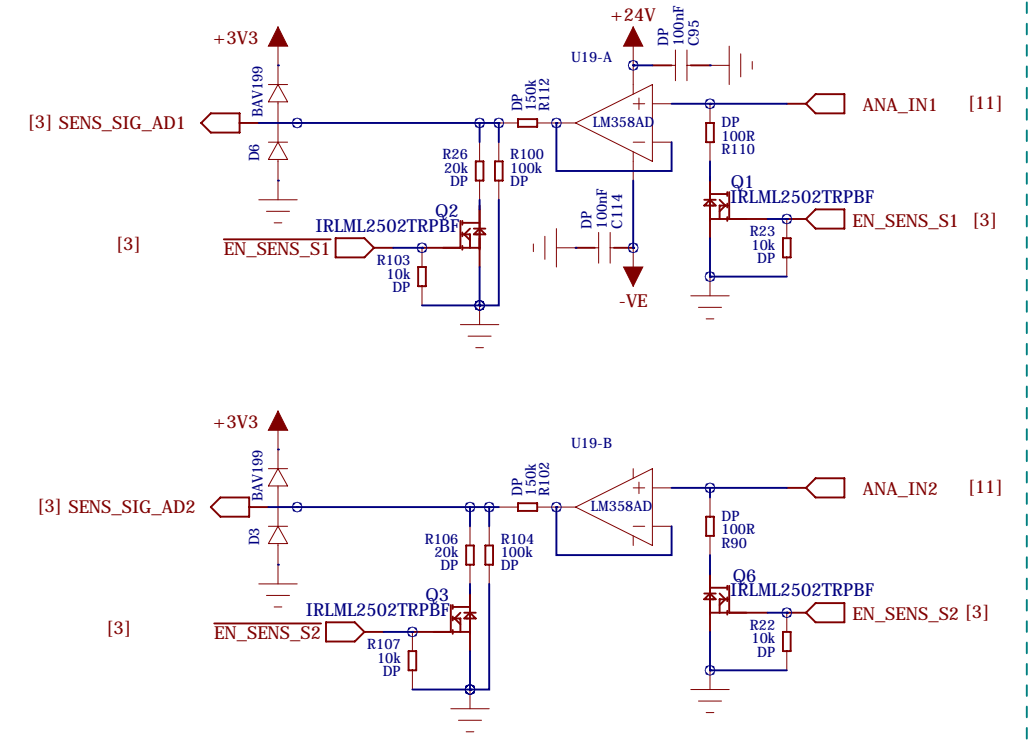
BOARD NO 625000155B	SHEET TITLE 9_USB/_USB_HUB	SIZE: A3	REV: B
DRAWN: Steven Zimmermann	DATED: 30.08.2010	RELEASED: -	DATED:
CHECKED: -	DATED: -	LAST SAVED 24.06.2013	SHEET: 9 OF 15


Digitaleingang



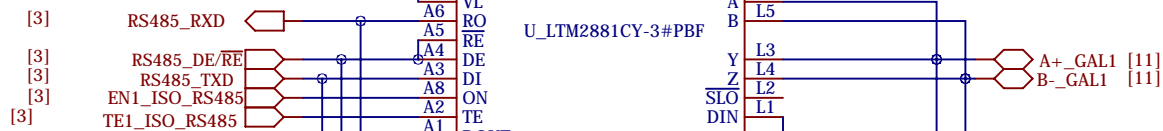
Sensor Eingang

zum messen von Sensorsignalen 0-10V (EN_SENS -> LOW)
oder 4-20mA (EN_SENS -> HIGH)



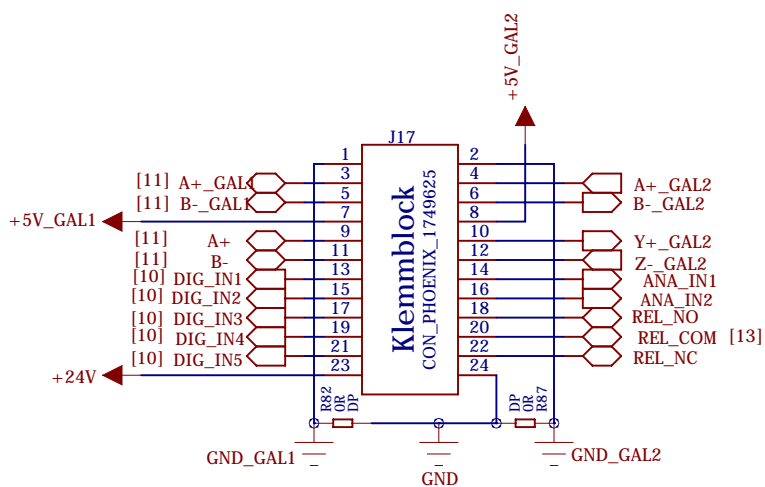
 In-Circuit GmbH Königsbrücker Str. 69 D-01099 Dresden (C) Copyright by In-Circuit GmbH			
PROJECT TITLE: 610000157: ARROW DisplayDriver			
BOARD NO 625000155B	SHEET TITLE 10_DIG_IN/ADC_IN	SIZE: A3	REV: B
DRAWN: Steven Zimmermann	DATED: 30.08.2010	RELEASED: -	DATED:
CHECKED: -	DATED: -	LAST SAVED 24.06.2013	SHEET: 10 OF 15

per Bestückoption
RS232, RS485 oder galvanisch
getrennte RS485

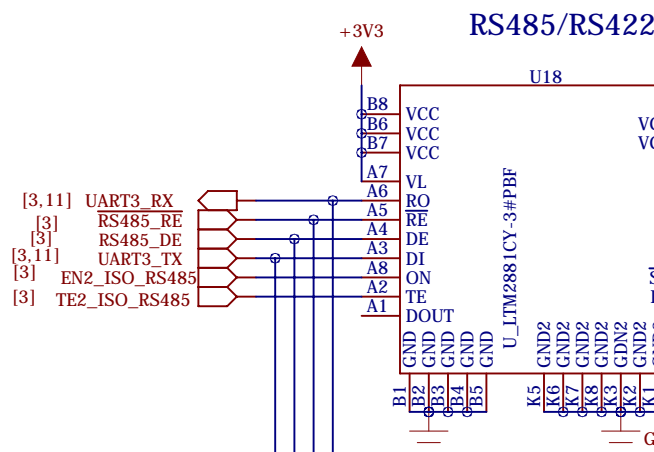


R71 & R72 DP =RS485

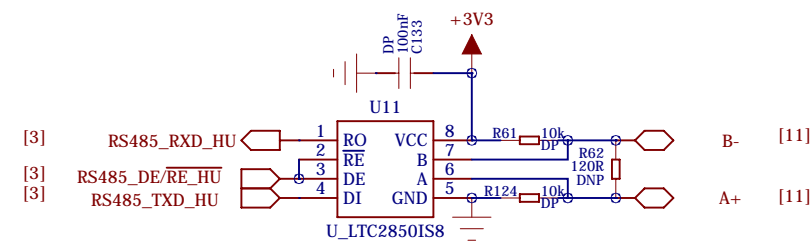
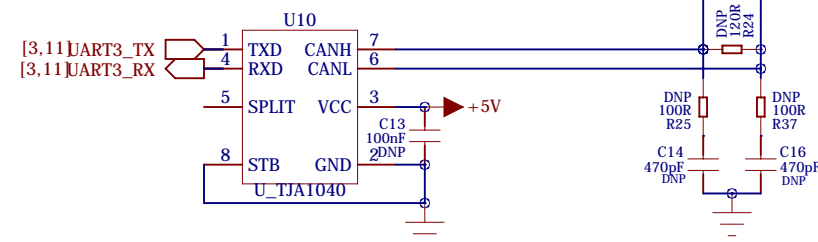
Pegelwandler für RS232
von 5V auf 3V3 für µC RXD.
TXD brauch keine Pegelwandl.
da von MAX232 ein HI ab 2V
erkannt wird.



[11]
[11]
[11]
[11]
[10]
[10]
[13]
[13]



R80 & R81 DNP =RS422
per Bestückoption
galvanisch getrennte RS485 oder RS422

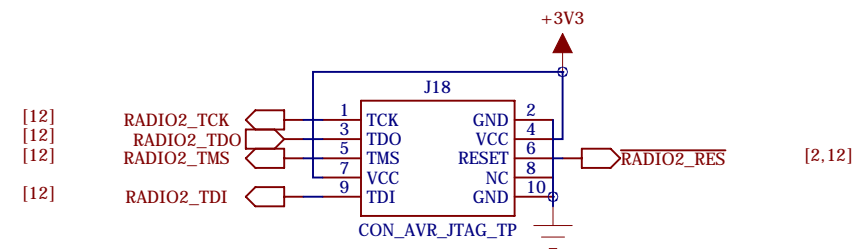
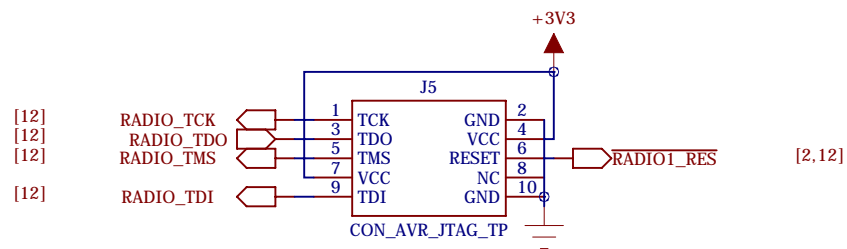
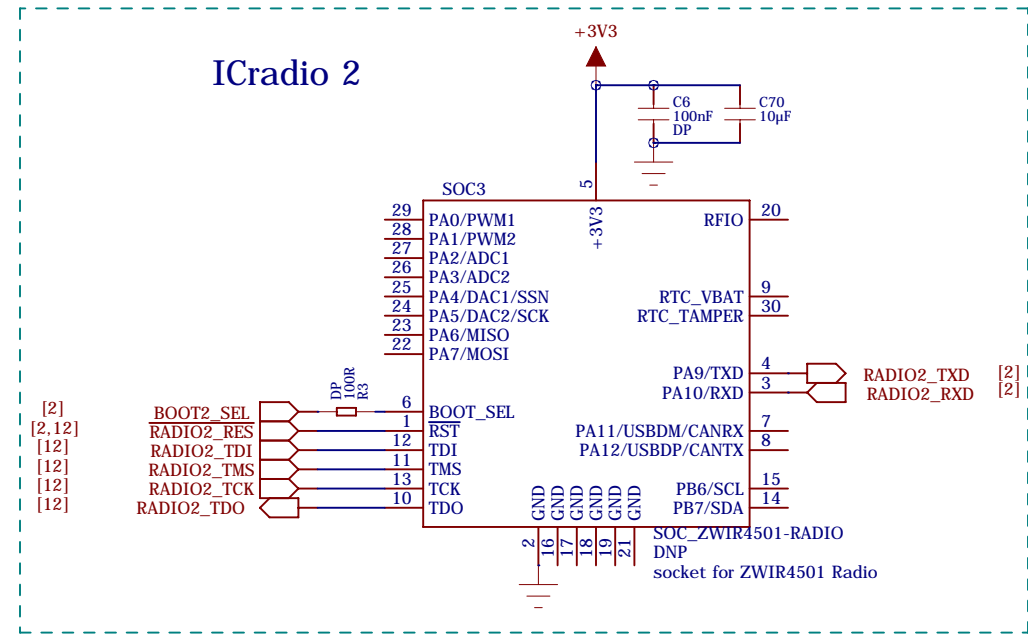
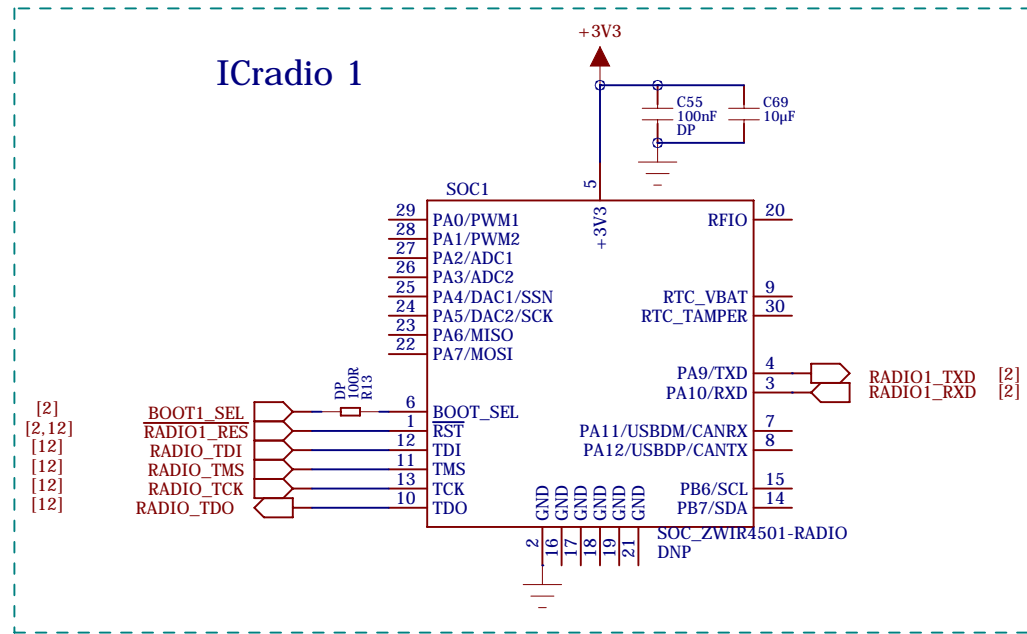


[3] RS485_RXD_HU [11]
[3] RS485_DE/RE_HU [11]
[3] RS485_TXD_HU [11]



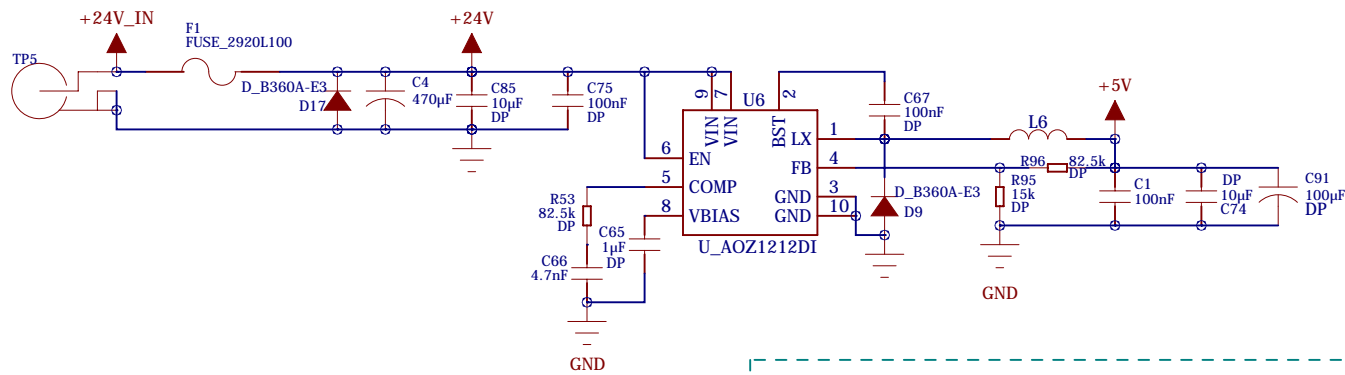
In-Circuit GmbH
Königsbrücker Str. 69
D-01099 Dresden
(C) Copyright by In-Circuit GmbH

PROJECT TITLE: 610000157: ARROW DisplayDriver			
BOARD NO 625000155B	SHEET TITLE 11_RS485/RS422	SIZE A3	REV: B
DRAWN: Steven Zimmermann	DATED: 30.08.2010	RELEASED: -	DATED:
CHECKED: -	DATED: -	LAST SAVED 24.06.2013	SHEET: 11 OF 15

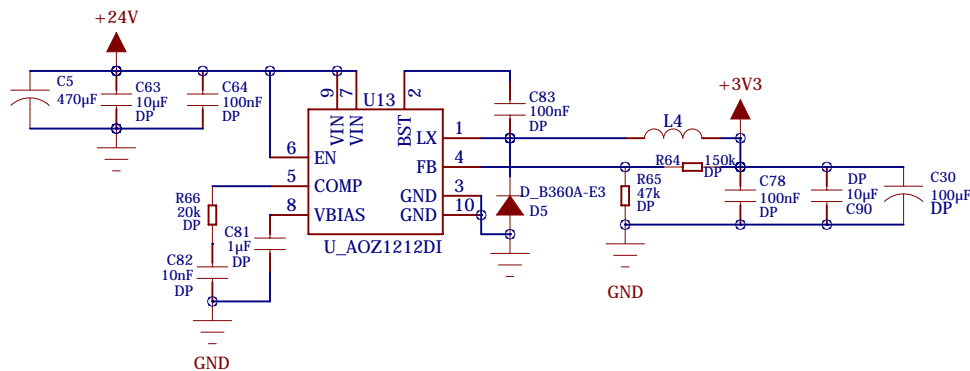


In-Circuit GmbH
 Königsbrücker Str. 69
 D-01099 Dresden
 (C) Copyright by In-Circuit GmbH

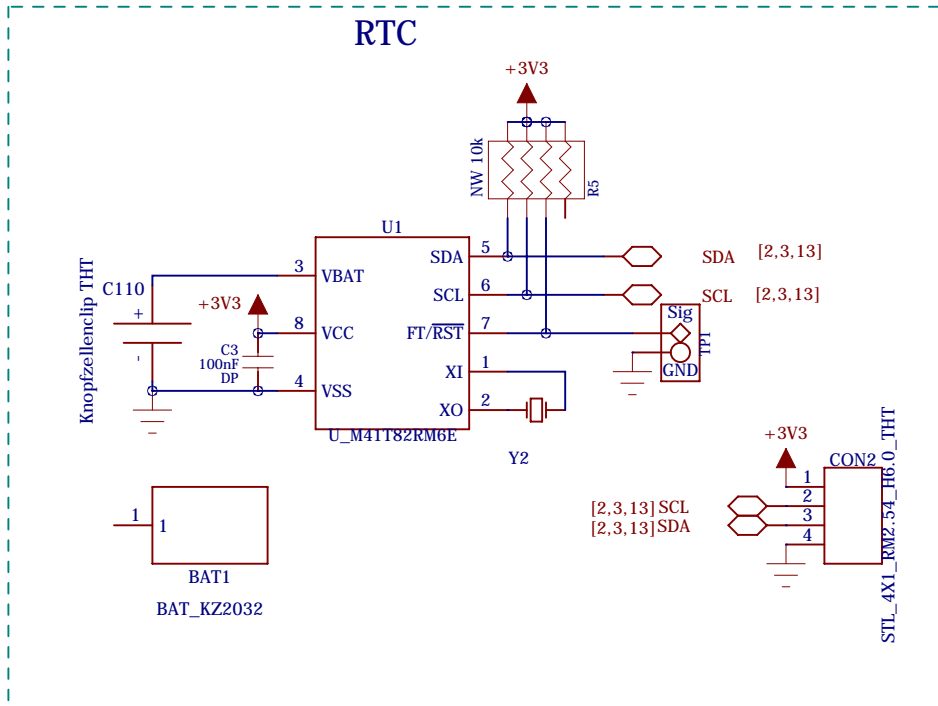
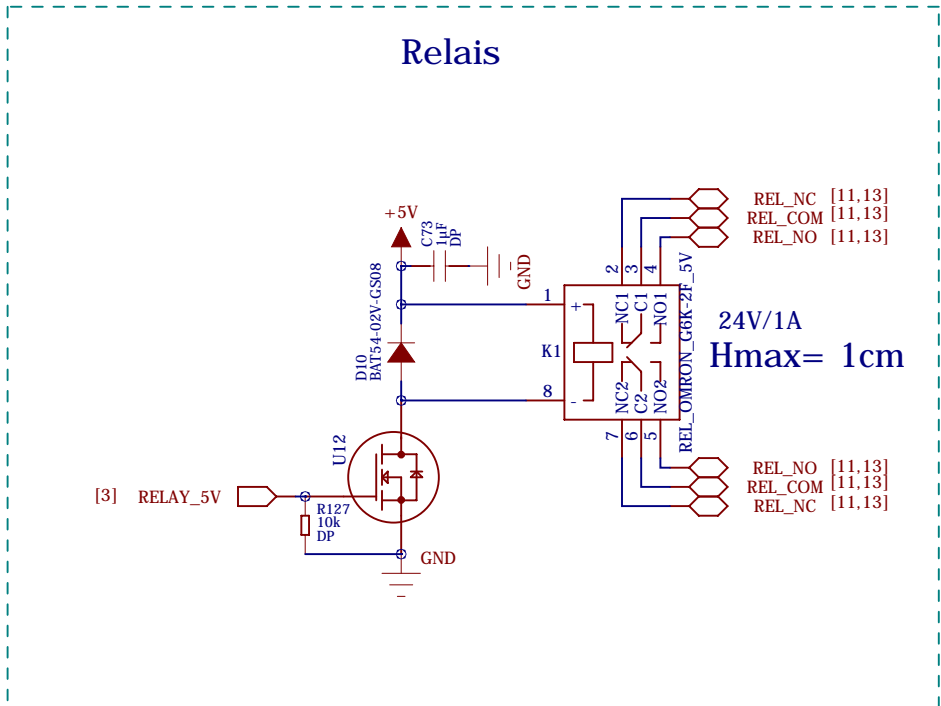
PROJECT TITLE: 610000157: ARROW DisplayDriver			
BOARD NO 625000155B	SHEET TITLE 12_RADIO	SIZE: A3	REV: B
DRAWN: Steven Zimmermann	DATED: 30.08.2010	RELEASED: -	DATED:
CHECKED: -	DATED: -	LAST SAVED 24.06.2013	SHEET: 12 OF 15



$$V_{out\ LT} = \left(\frac{R_{96}}{R_{95}} + 1 \right) * 0.8V = 5.2V$$



$$V_{out\ LT} = \left(\frac{R_{64}}{R_{65}} + 1 \right) * 0.8V = 3.35V$$

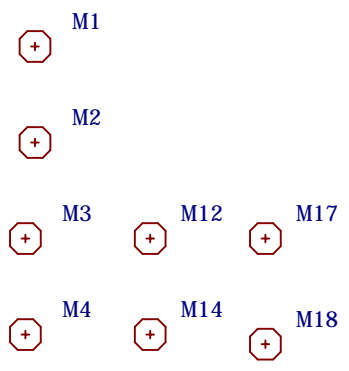
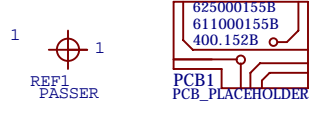


In-Circuit GmbH
 Königsbrücker Str. 69
 D-01099 Dresden
 (C) Copyright by In-Circuit GmbH

PROJECT TITLE:
610000157: ARROW DisplayDriver

BOARD NO 625000155B	SHEET TITLE 13_POWER/RELA/RTC	SIZE: A3	REV: B
DRAWN: Steven Zimmermann	DATED: 30.08.2010	RELEASED: -	DATED:
CHECKED: -	DATED: -	LAST SAVED 24.06.2013	SHEET: 13 OF 15

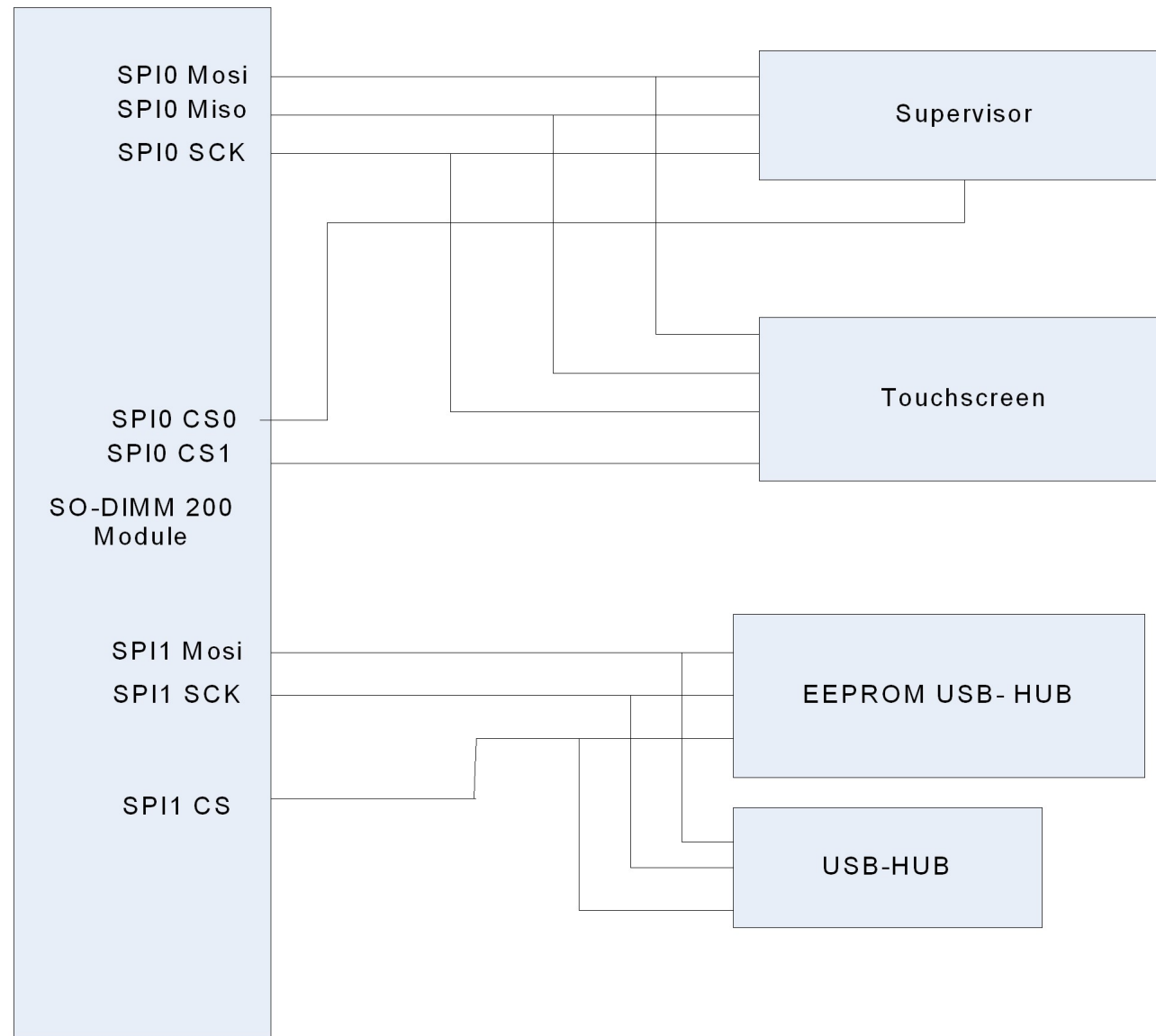
1 2 3 4 5 6 7 8 9 10

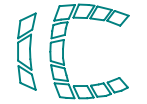


In-Circuit GmbH
 Königsbrücker Str. 69
 D-01099 Dresden
 (C) Copyright by In-Circuit GmbH

PROJECT TITLE: 610000157: ARROW DisplayDriver			
BOARD NO 625000155B	SHEET TITLE 14_MECHANICAL	SIZE: A3	REV: B
DRAWN: Steven Zimmermann	DATED: 30.08.2010	RELEASED: -	DATED:
CHECKED: -	DATED: -	LAST SAVED 24.06.2013	SHEET: 14 OF 15

1 2 3 4 5 6 7 8 9 10



		In-Circuit GmbH Königsbrücker Str. 69 D-01099 Dresden (C) Copyright by In-Circuit GmbH	
		PROJECT TITLE: 610000157: ARROW DisplayDriver	
BOARD NO 625000155B	SHEET TITLE 15_SPI_SIGNALS	SIZE: A3	REV: B
DRAWN: Steven Zimmermann	DATED: 30.08.2010	RELEASED: -	DATED: -
CHECKED: -	DATED: -	LAST SAVED 24.06.2013	SHEET: 15 OF 15