

Rev.	Description
A	initial version
B	
C	button for BSL added SWD header added

A

A

B

B

C

C

D

D

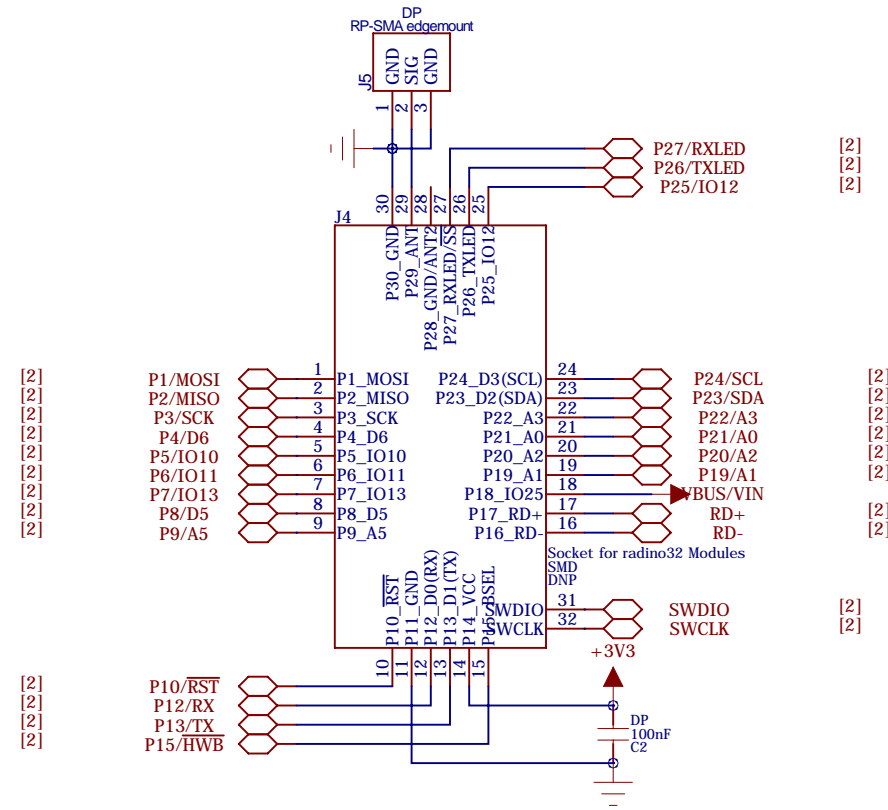
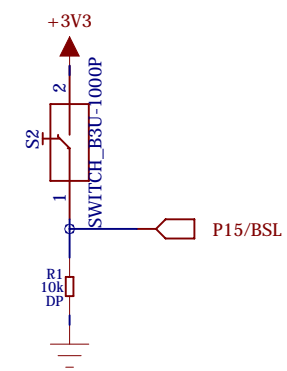
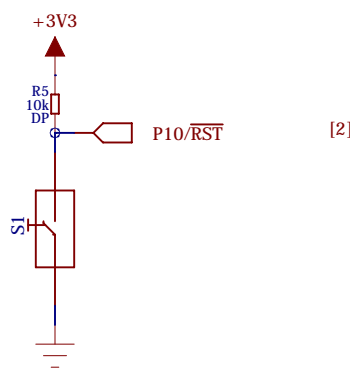
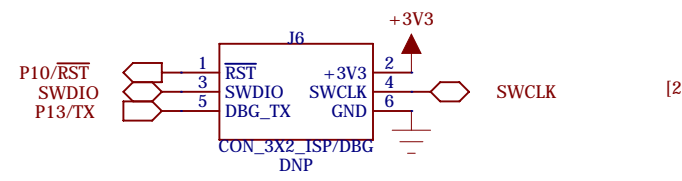
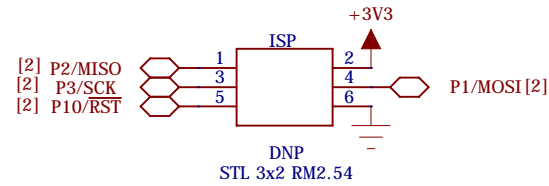
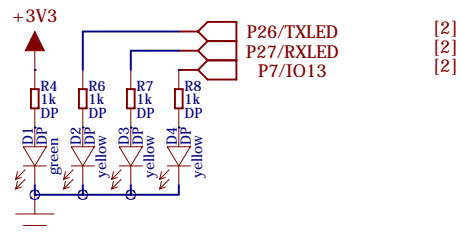
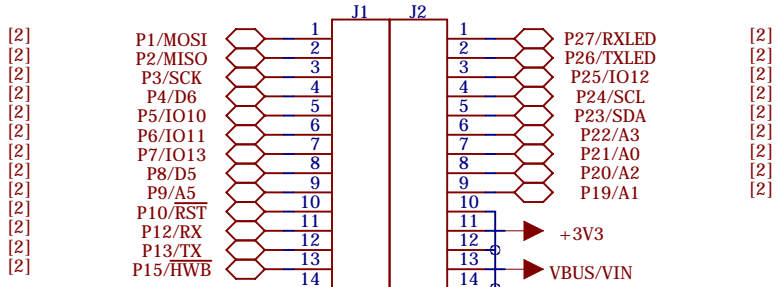
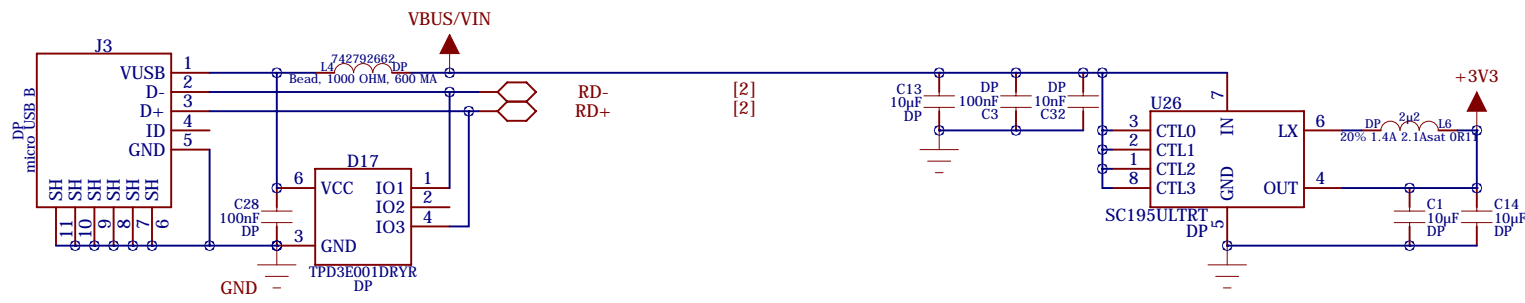
E

E



In-Circuit GmbH
 Boltenhagener Str. 124
 D-01109 Dresden
 (C) Copyright by In-Circuit GmbH

PROJECT TITLE: 610000294: radino Spider			
BOARD NO 625000295C	SHEET TITLE 1_HISTORY	SIZE: A3	REV: C
DRAWN: Karsten Stork	DATED: 11/2014	RELEASED: -	DATED:
CHECKED: -	DATED: -	LAST SAVED 17.03.2016	SHEET: 1 OF 2



In-Circuit GmbH
 Königsbrücker Str. 69
 D-01099 Dresden
 (C) Copyright by In-Circuit GmbH

PROJECT TITLE:
61000294: radino Spider

BOARD NO 625000295C	SHEET TITLE 2_MAIN	SIZE: A3	REV: C
DRAWN: Karsten Stork	DATED: 11/2014	RELEASED: -	DATED:
CHECKED: -	DATED: -	LAST SAVED 17.03.2016	SHEET: 2 OF 2

J7 SERIALNUMBER

REF1
 625000295C
 611000293C
 400.290C
 PCB1 PCB_PLACEHOLDER