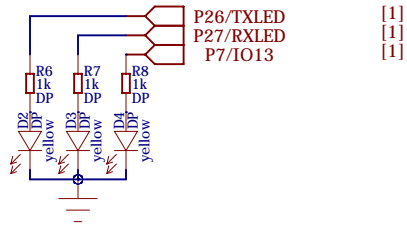
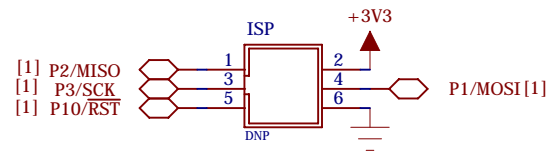


[1]  
[1]

[1]  
[1]  
[1]  
[1]  
[1]

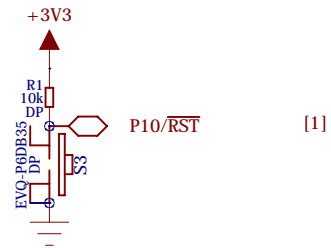


[1]  
[1]  
[1]

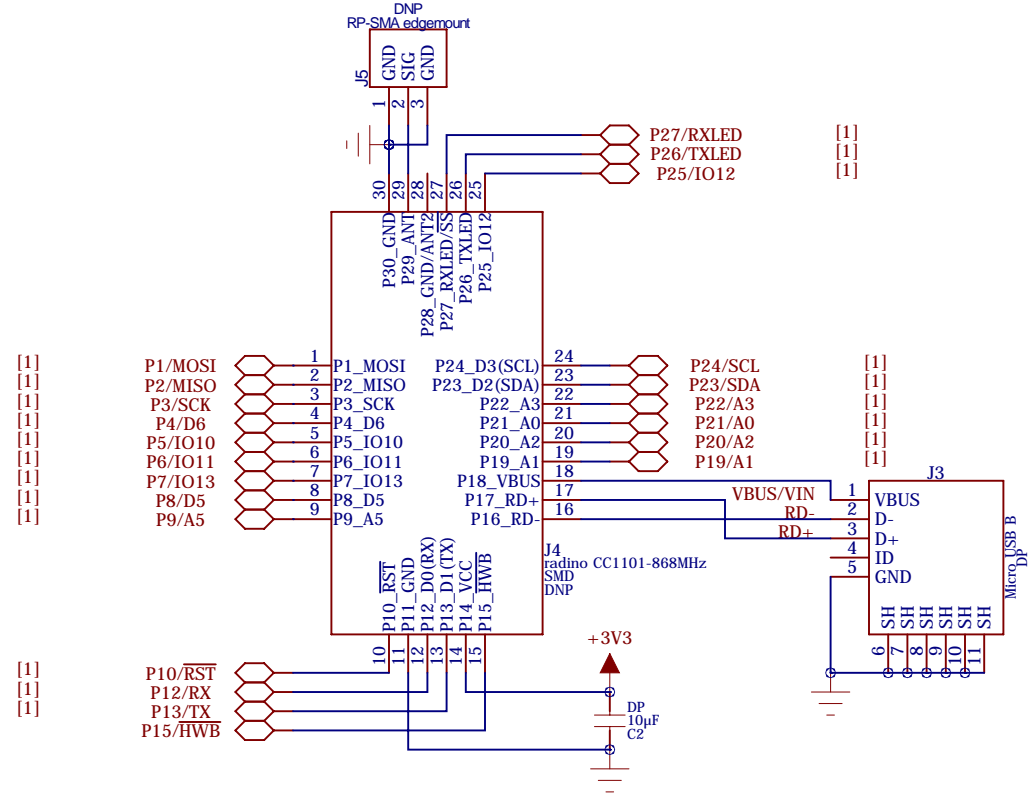


[1] P2/MISO  
[1] P3/SCK  
[1] P10/RST

P1/MOSI [1]



[1]

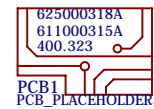


[1]  
[1]  
[1]  
[1]  
[1]  
[1]  
[1]  
[1]  
[1]  
[1]

[1]  
[1]  
[1]

[1]  
[1]  
[1]

[1]  
[1]  
[1]  
[1]  
[1]  
[1]  
[1]



In-Circuit GmbH  
Königsbrücker Str. 69  
D-01099 Dresden  
(C) Copyright by In-Circuit GmbH

PROJECT TITLE: 610000317: radino XBeePRO-Shield			
BOARD NO 625000318A	SHEET TITLE MAIN	SIZE A3	REV: A
DRAWN: Karsten Stork	DATED: 11/2014	RELEASED: -	DATED:
CHECKED: -	DATED: -	LAST SAVED 29.04.2015	SHEET: 1 OF 1