

Rev.	Description
A	initial version
B	
C	button for BSL added SWD header added

A

A

B

B

C

C

D

D

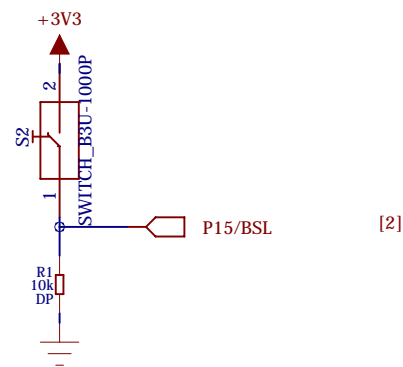
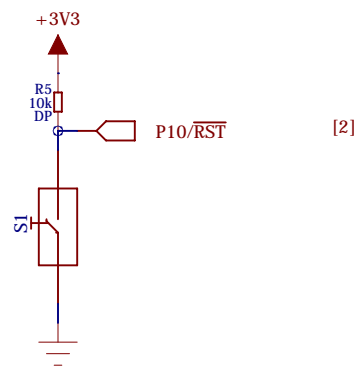
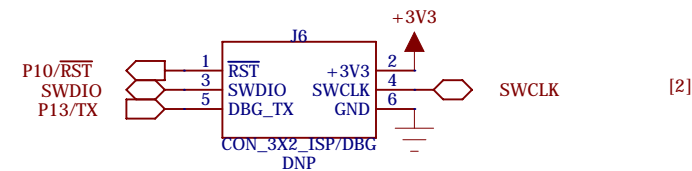
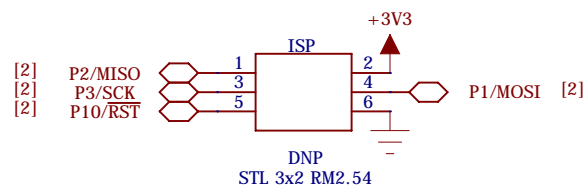
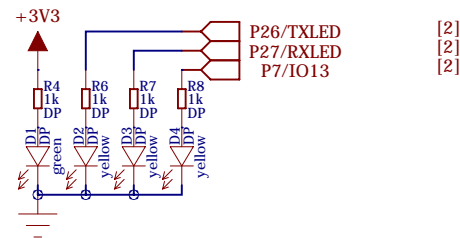
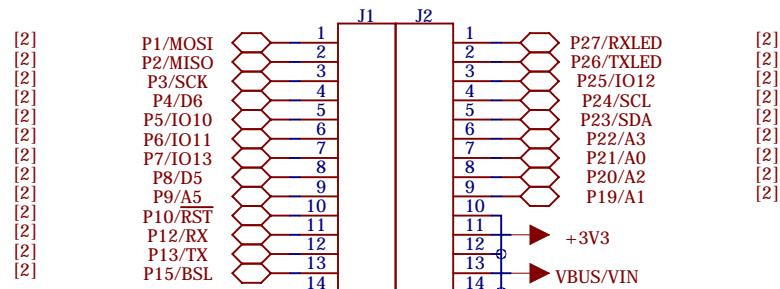
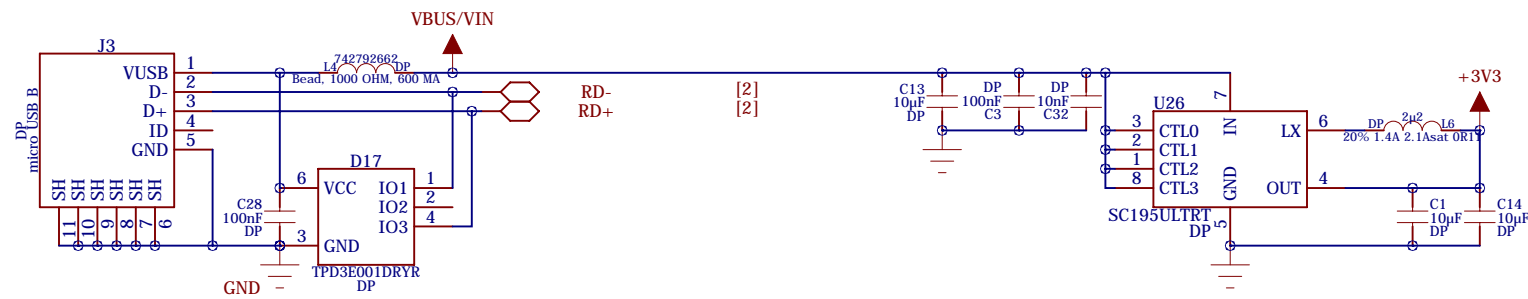
E

E



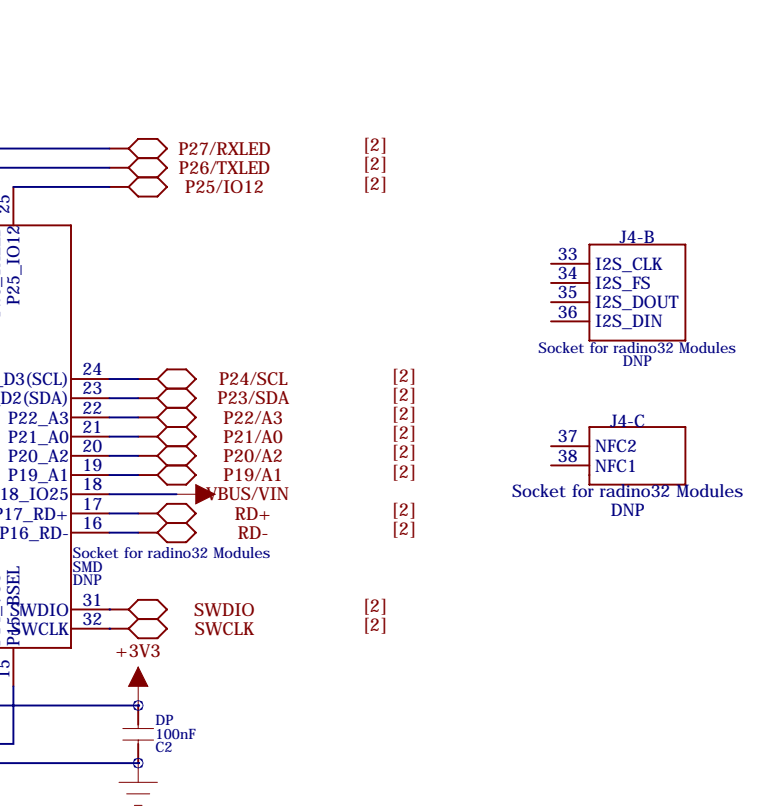
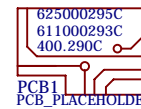
In-Circuit GmbH
 Boltenhagener Str. 124
 D-01109 Dresden
 (C) Copyright by In-Circuit GmbH

PROJECT TITLE: 610000294: radino Spider			
BOARD NO 625000295C	SHEET TITLE 1_HISTORY	SIZE: A3	REV: C
DRAWN: Martin Schmiedel	DATED: 11.05.2016	RELEASED: -	DATED:
CHECKED: -	DATED: -	LAST SAVED 05.01.2017	SHEET: 1 OF 2



REF1

J7 SERIALNUMBER



In-Circuit GmbH
 Boltenhagener Str. 124
 D-01109 Dresden
 (C) Copyright by In-Circuit GmbH

PROJECT TITLE:
610000294: radino Spider

BOARD NO 625000295C	SHEET TITLE 2_MAIN	SIZE: A3	REV: C
DRAWN: Martin Schmiedel	DATED: 11.05.2016	RELEASED: -	DATED:
CHECKED: -	DATED: -	LAST SAVED 05.01.2017	SHEET: 2 OF 2