

A

B

C

D

E

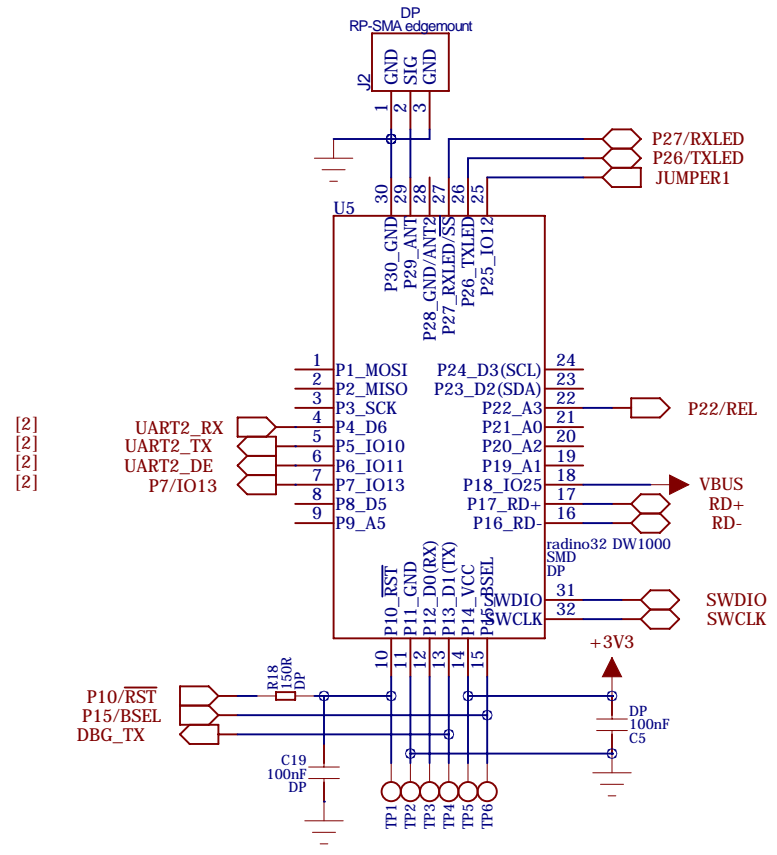
A

B

C

D

E



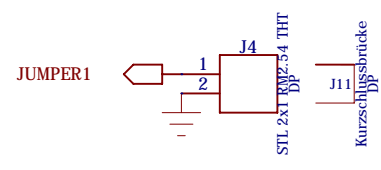
[2]  
[2]  
[2]

[2]  
[2]  
[2]

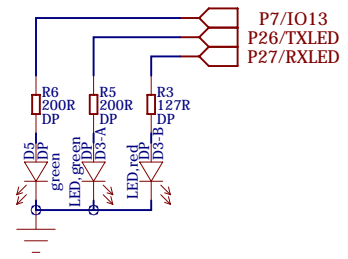
[3]

[2]  
[2]

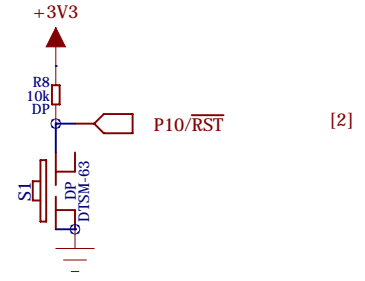
[2]  
[2]



[2]

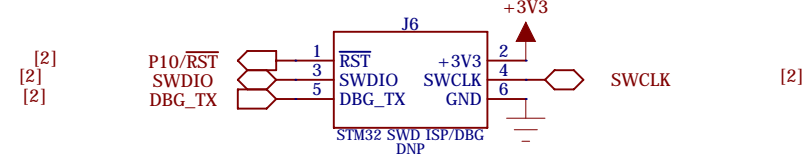


[2]  
[2]  
[2]



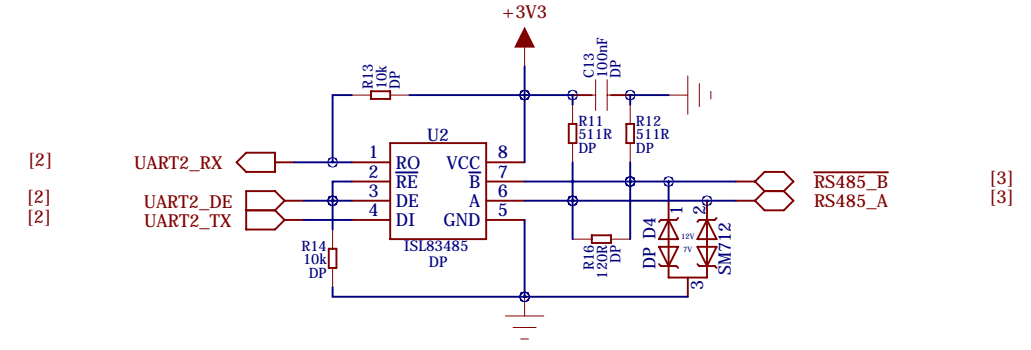
[2]

[2]  
[2]  
[2]



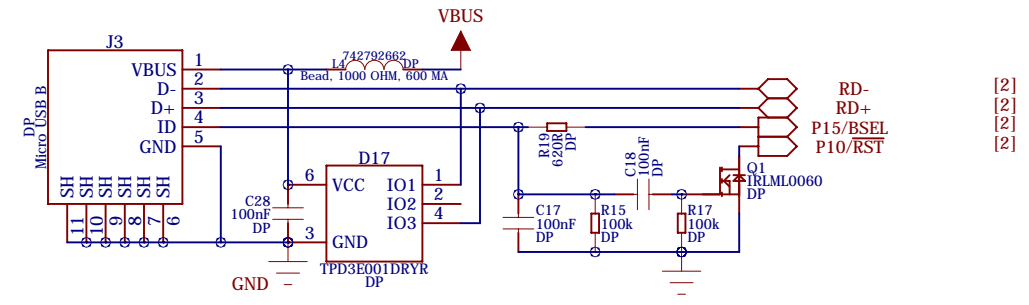
[2]  
[2]  
[2]

[2]



[2]  
[2]  
[2]

[3]  
[3]



[2]  
[2]  
[2]  
[2]

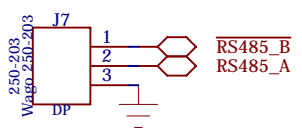
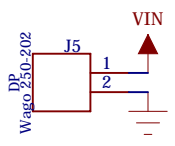
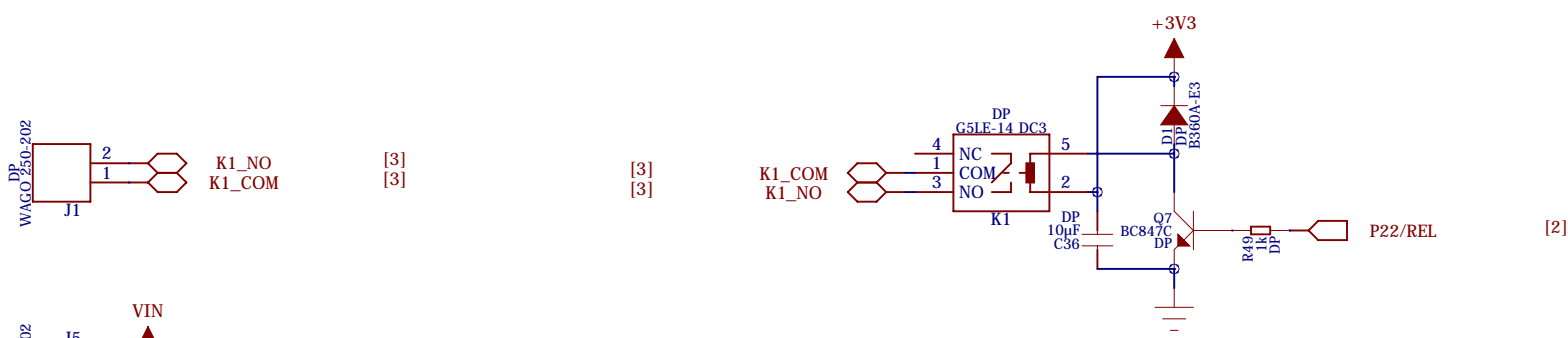
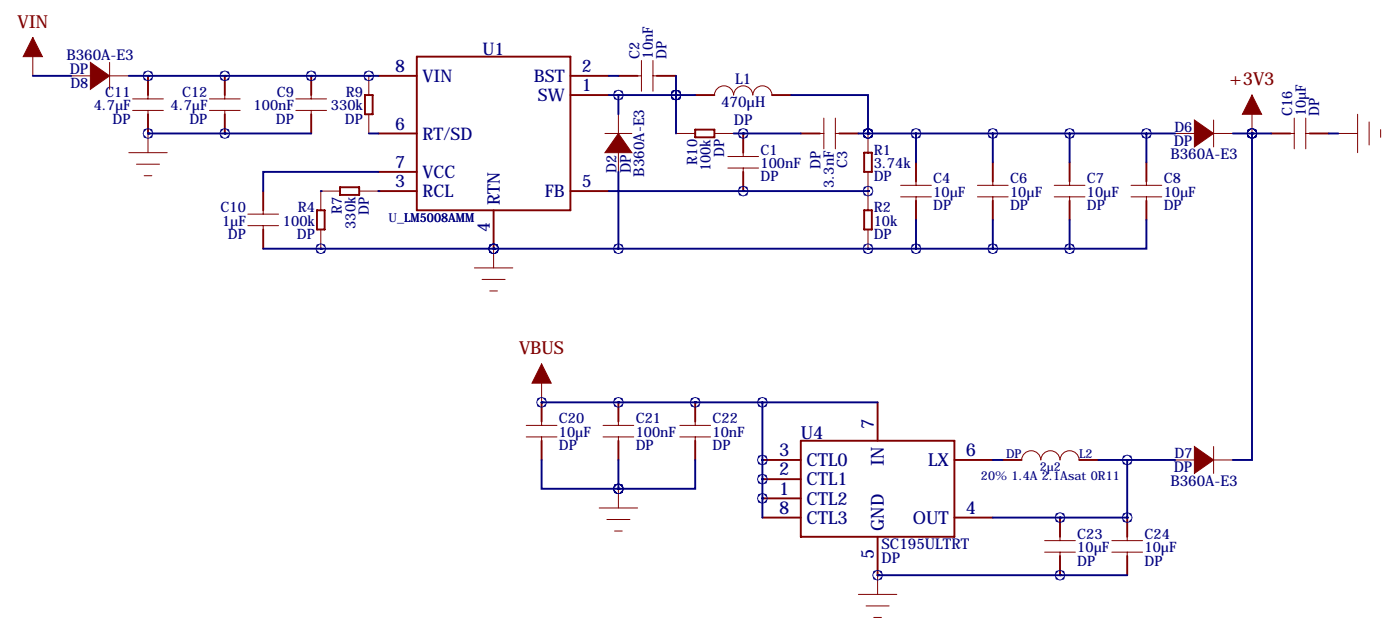
**Mechanical**

MEC4 BOPLA-Gehäuse PK 102-211 IP65 64mm*58mm 2xPg11 DP	MEC1 Blechsraube 3.5mm x 9.5mm Zylinderkopf, schlitz, selbstschn. DP	MEC5 GLOBALFLEX-JZ 10123406 Steuerleitung 7 G 0,75mm² DP	REF1 PASSER	J9 SERIALNUMBER
MEC3 PCB-Antenne UWB 3-6GHz DP	MEC2 Blechsraube 3.5mm x 9.5mm Zylinderkopf, schlitz, selbstschn. DP	625000350B 611000348B 400.360B	H1 H2	H3 H4
PCB1 PCB_PLACEHOLDER				



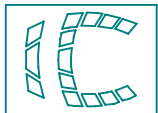
In-Circuit GmbH  
Boltenhagener Str. 124  
D-01109 Dresden  
(C) Copyright by In-Circuit GmbH

PROJECT TITLE: <b>610000349: DW1000 Ranging Anchor</b>			
BOARD NO <b>625000350B</b>	SHEET TITLE <b>2_MAIN</b>	SIZE: <b>A3</b>	REV: <b>B</b>
DRAWN: <b>Martin Schmiedel</b>	DATED: <b>29.02.2016</b>	RELEASED: <b>-</b>	DATED:
CHECKED: <b>-</b>	DATED: <b>-</b>	LAST SAVED <b>29.05.2017</b>	SHEET: <b>2 OF 3</b>



cable assignment

1	K1_NO
2	K1_COM
3	VIN
4	GND
5	RS485_B
6	RS485_A
PE	GND

 <b>In-Circuit GmbH</b> Boltenhagener Str. 124 D-01109 Dresden (C) Copyright by In-Circuit GmbH		PROJECT TITLE:	
		610000349: DW1000 Ranging Anchor	
BOARD NO	SHEET TITLE	SIZE:	REV:
625000350B	3_SUPPLY	A3	B
DRAWN:	DATED:	RELEASED:	DATED:
Martin Schmiedel	29.02.2016	-	-
CHECKED:	DATED:	LAST SAVED	SHEET: 3 OF 3
-	-	29.05.2017	