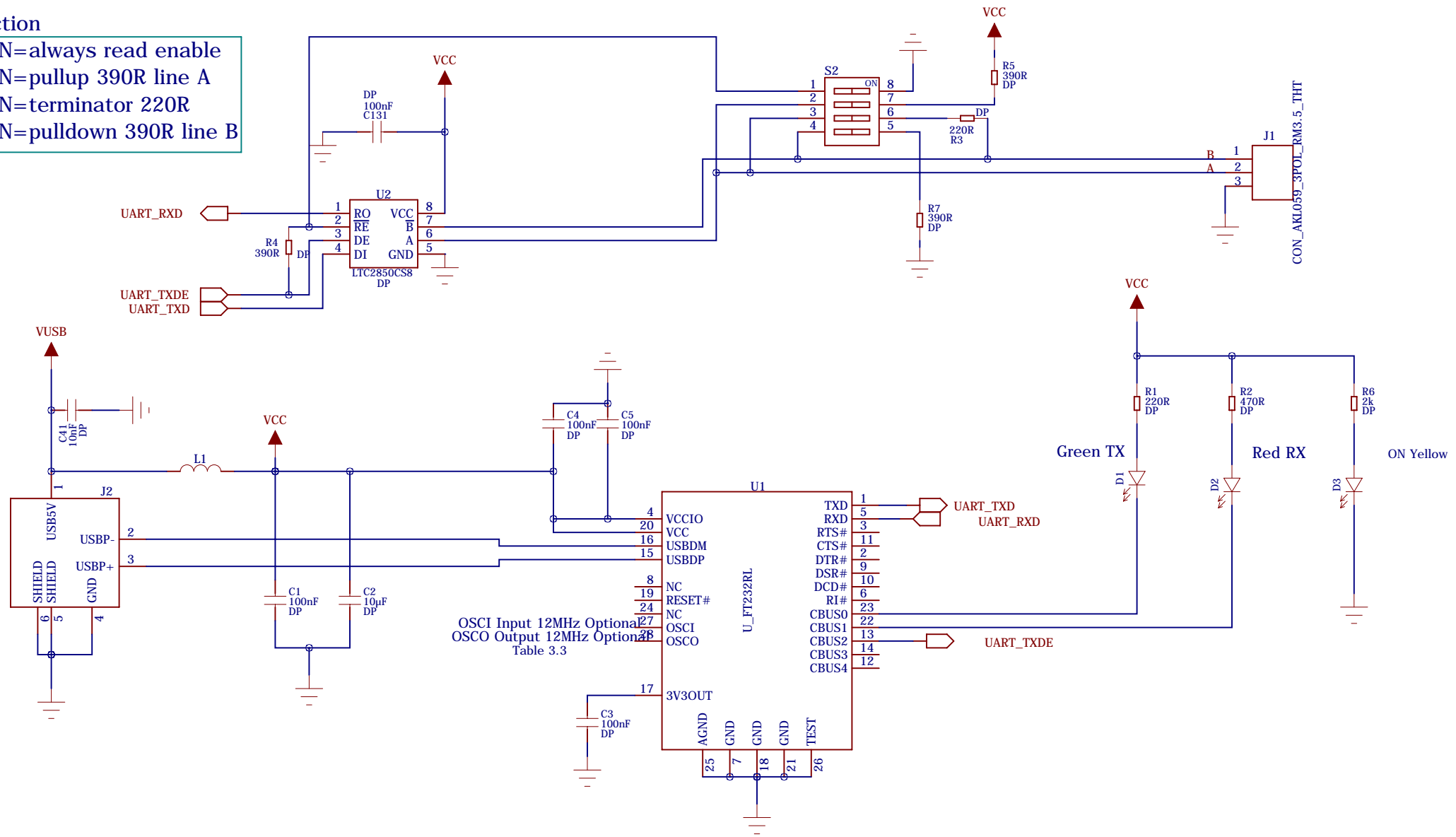
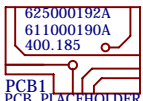


S2 function

- 1-8 ON=always read enable
- 2-7 ON=pullup 390R line A
- 3-6 ON=terminator 220R
- 4-5 ON=pulldown 390R line B



OSCI Input 12MHz Optional  
 OSCO Output 12MHz Optional  
 Table 3.3



In-Circuit GmbH  
 Boltenhagener Str. 124  
 D-01109 Dresden  
 (C) Copyright by In-Circuit GmbH

PROJECT TITLE: 610000191: USB-RS485-Brigde			
BOARD NO 625000192A	SHEET TITLE 1_MAIN	SIZE A3	REV: A
DRAWN: Stefan Wutke	DATED: 06.06.2011	RELEASED: -	DATED:
CHECKED: -	DATED: -	LAST SAVED 04.12.2014	SHEET: 1 OF 1