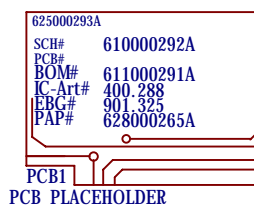
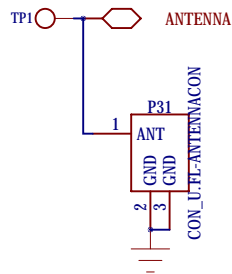
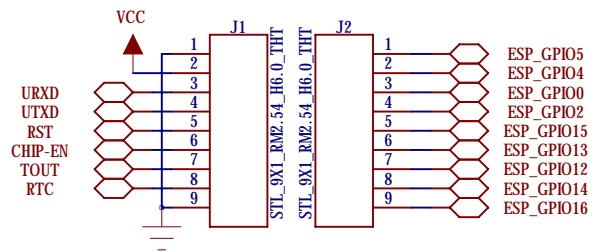
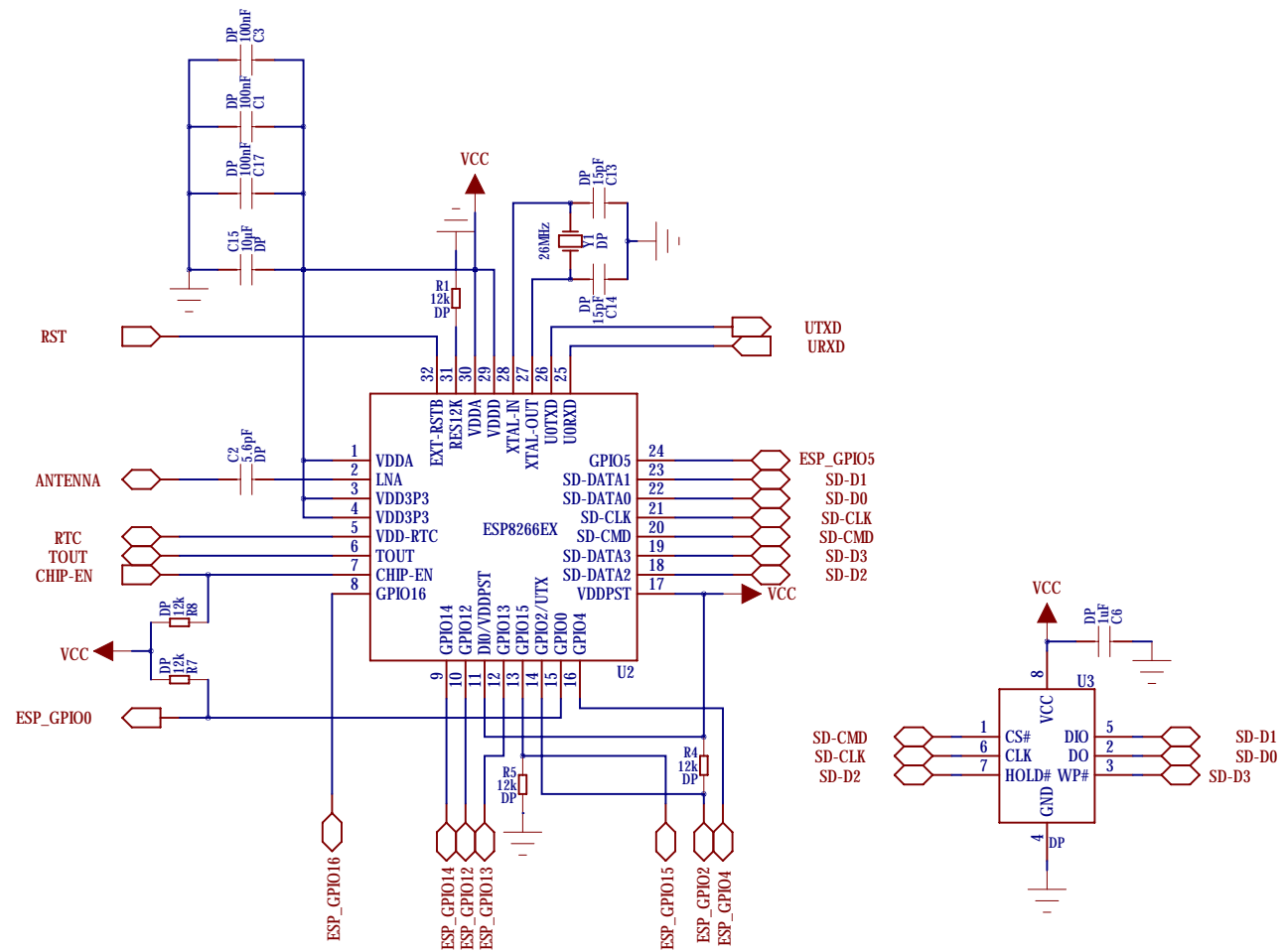
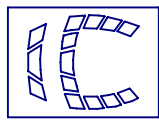


- all pins in grid 2.54mm
- 12.7mm DIL spacing
- 50R antenna track, antenna pin in 2.54mm grid
- U.FL antenna connector mountable

shop.in-circuit.de





In-Circuit GmbH
 Boltenhagener Str. 124
 D-01109 Dresden
 (C) Copyright by In-Circuit GmbH

PROJECT TITLE:
610000292: ESP-ADC

BOARD NO 625000293A	SHEET TITLE MAIN	SIZE: A3	REV: A
DRAWN: Jörg Träger	DATED: 10/2014	RELEASED: -	DATED:
CHECKED: -	DATED: -	LAST SAVED 06.02.2015	SHEET: 1 OF 1