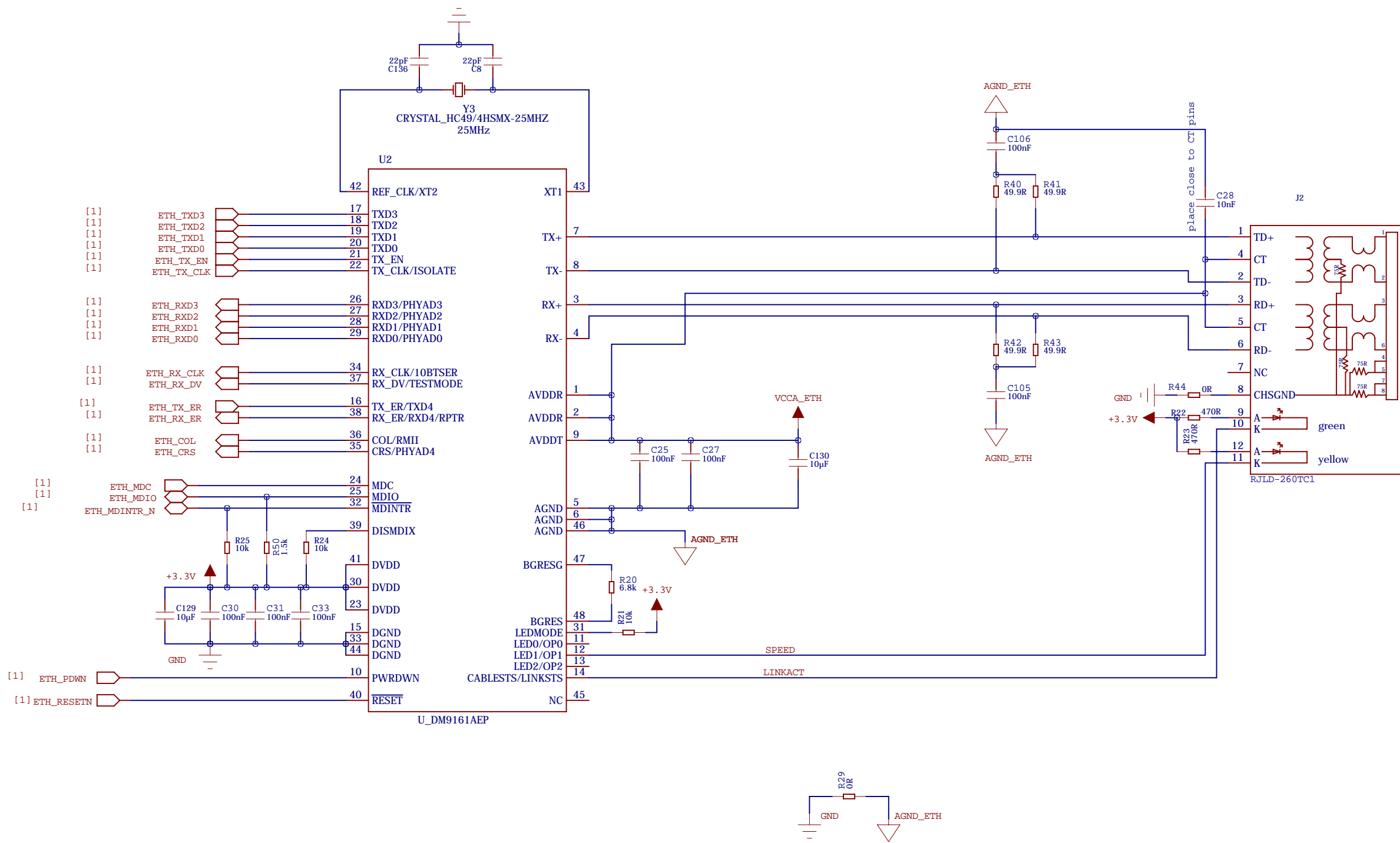
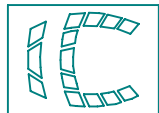
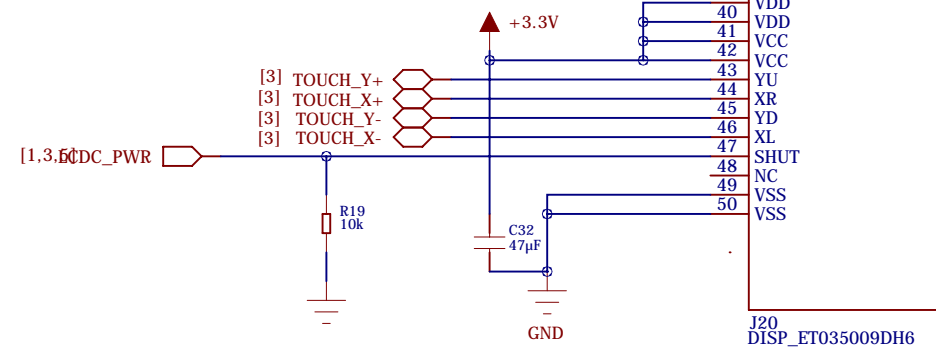
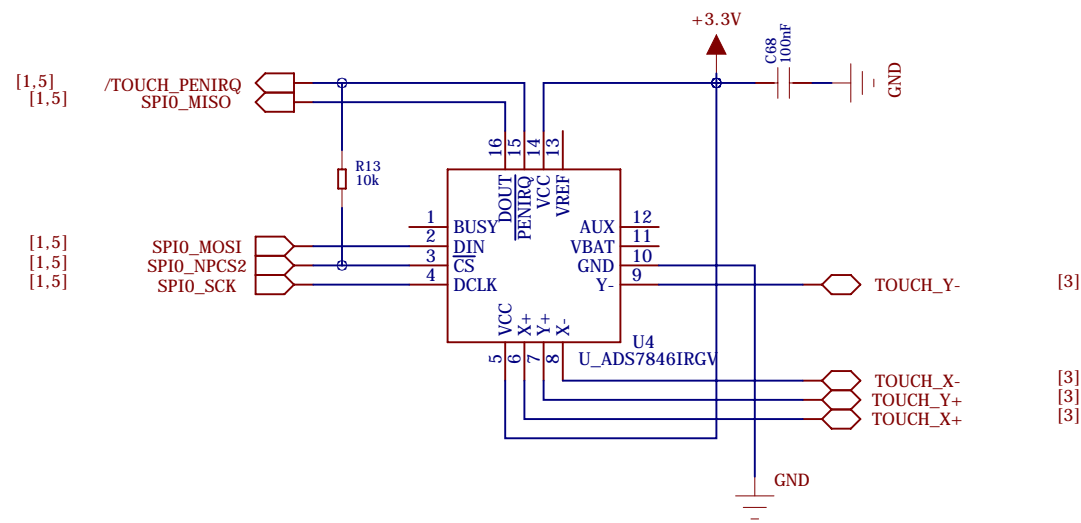
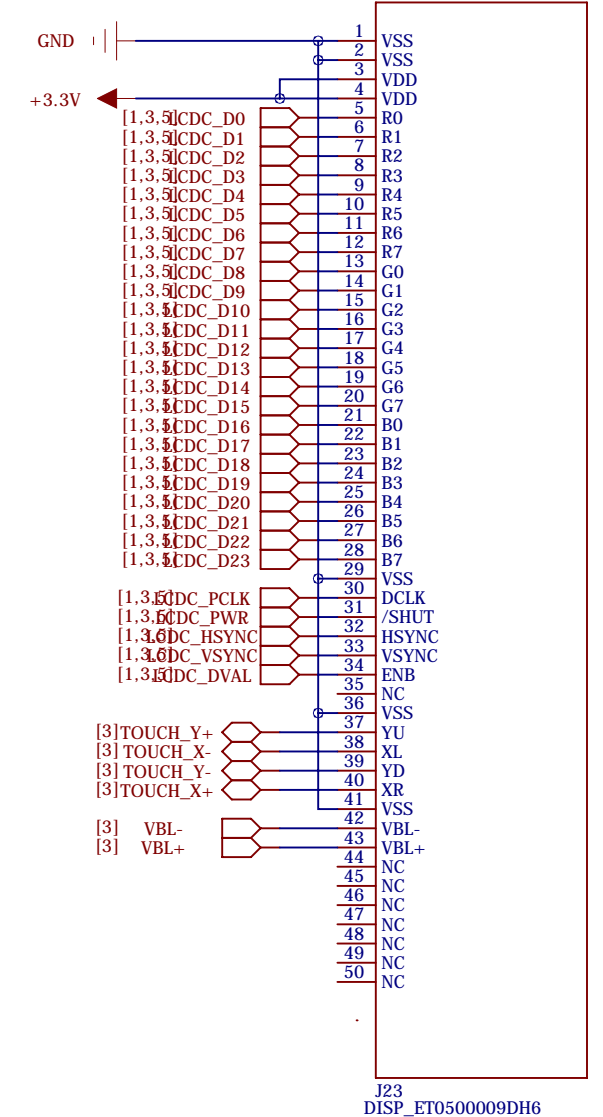
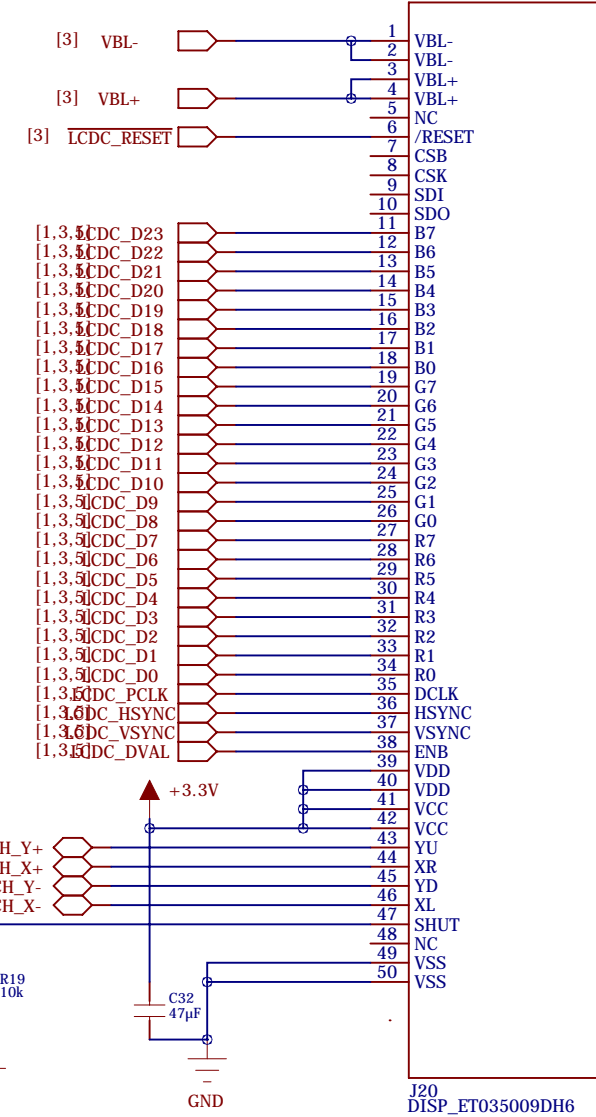
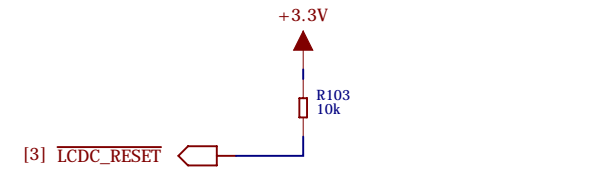
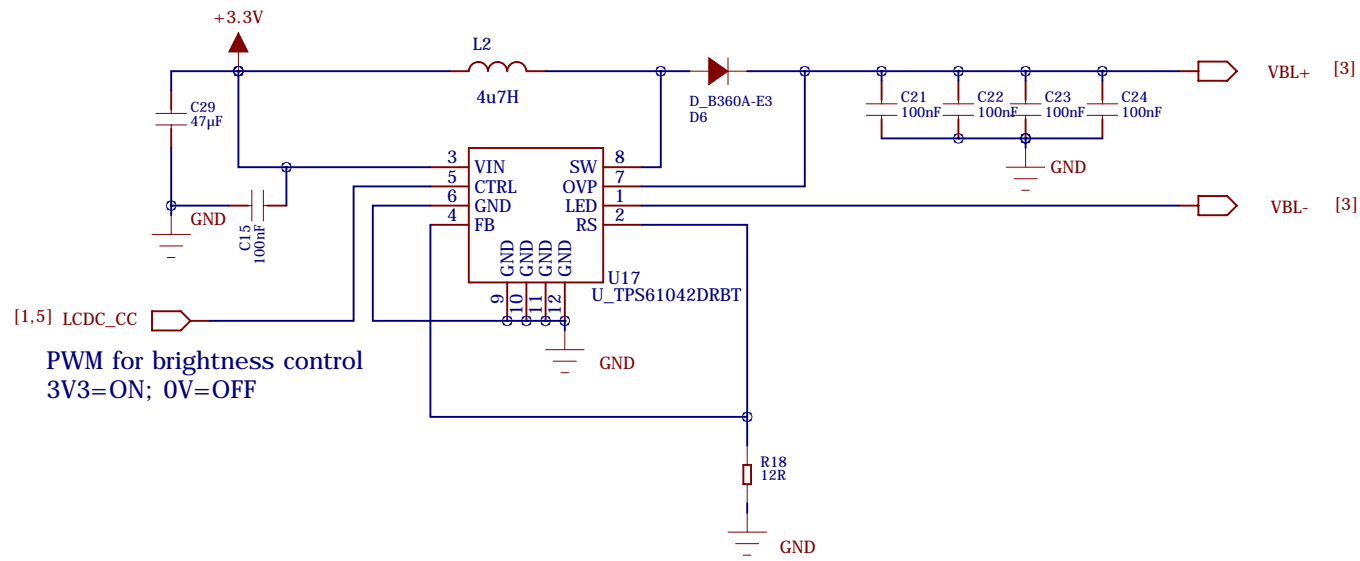


In-Circuit GmbH
 Boltenhagener Str. 124
 D-01109 Dresden
 (C) Copyright by In-Circuit GmbH

PROJECT TITLE: 610000085: ICnova ADB 1000			
BOARD NO 625000082C	SHEET TITLE ICNOVA_AP7000_OEMPLUS	SIZE: A3	REV: C
DRAWN: Jörg Träger	DATED: 01.01.2009	RELEASED: -	DATED:
CHECKED: -	DATED:	LAST SAVED 17.09.2014	SHEET: 1 OF 8



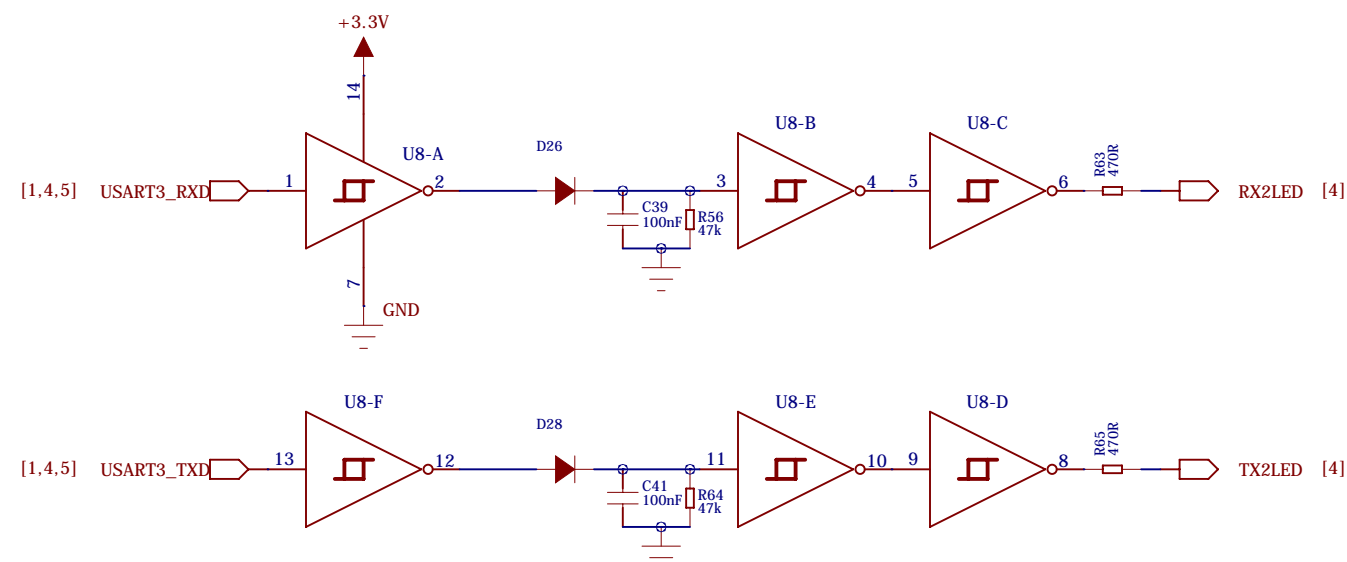
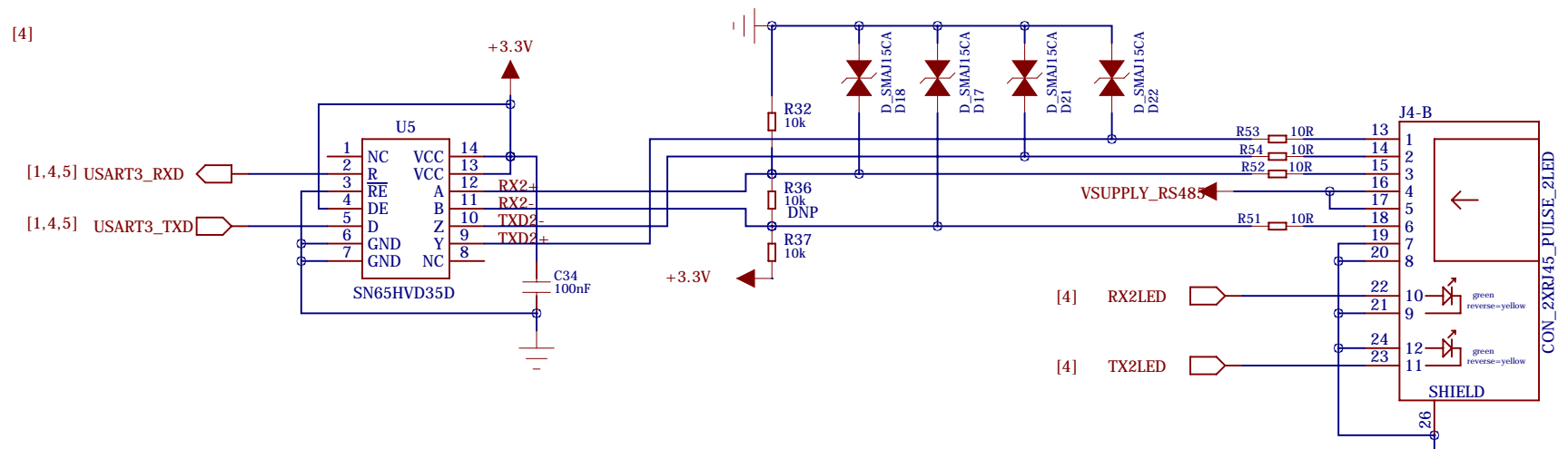
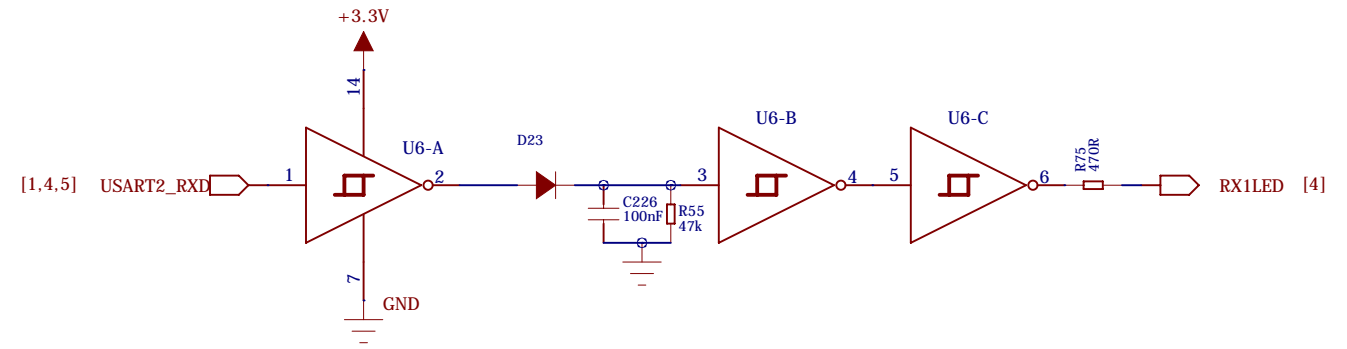
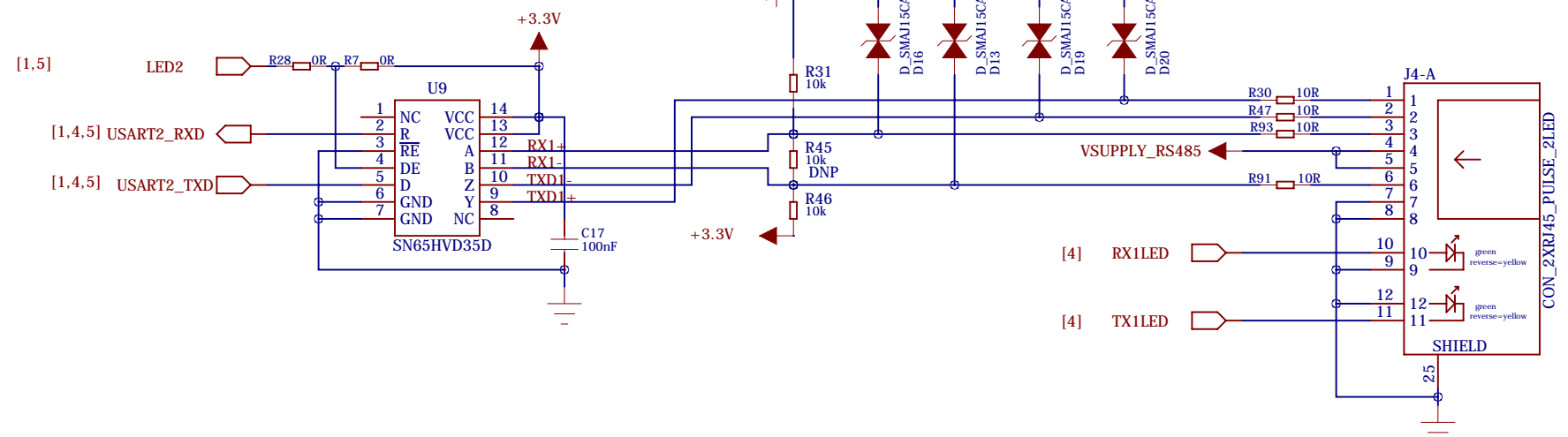
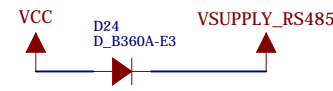
 In-Circuit GmbH Boltenhagener Str. 124 D-01109 Dresden (C) Copyright by In-Circuit GmbH			
PROJECT TITLE: 610000085: ICnova ADB 1000			
BOARD NO 625000082C	SHEET TITLE ETHERNET	SIZE: A3	REV: C
DRAWN: Jörg Träger	DATED: 01.01.2009	RELEASED: -	DATED: -
CHECKED: -	DATED: -	LAST SAVED 17.09.2014	SHEET: 2 OF 8

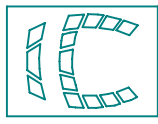


In-Circuit GmbH
Boltenhagener Str. 124
D-01109 Dresden
(C) Copyright by In-Circuit GmbH

PROJECT TITLE:
610000085: ICnova ADB 1000

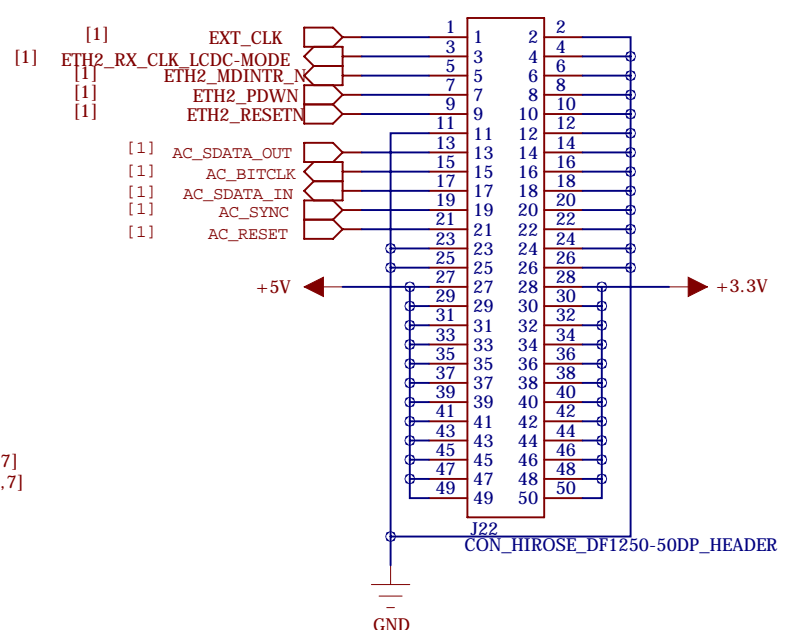
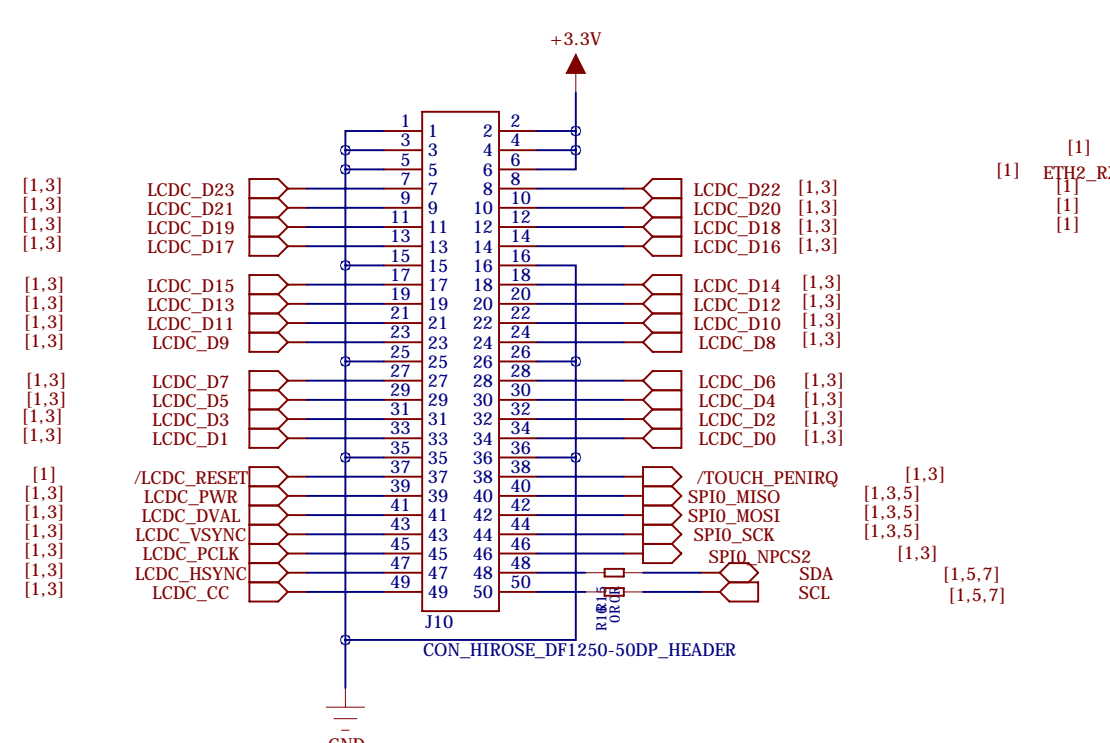
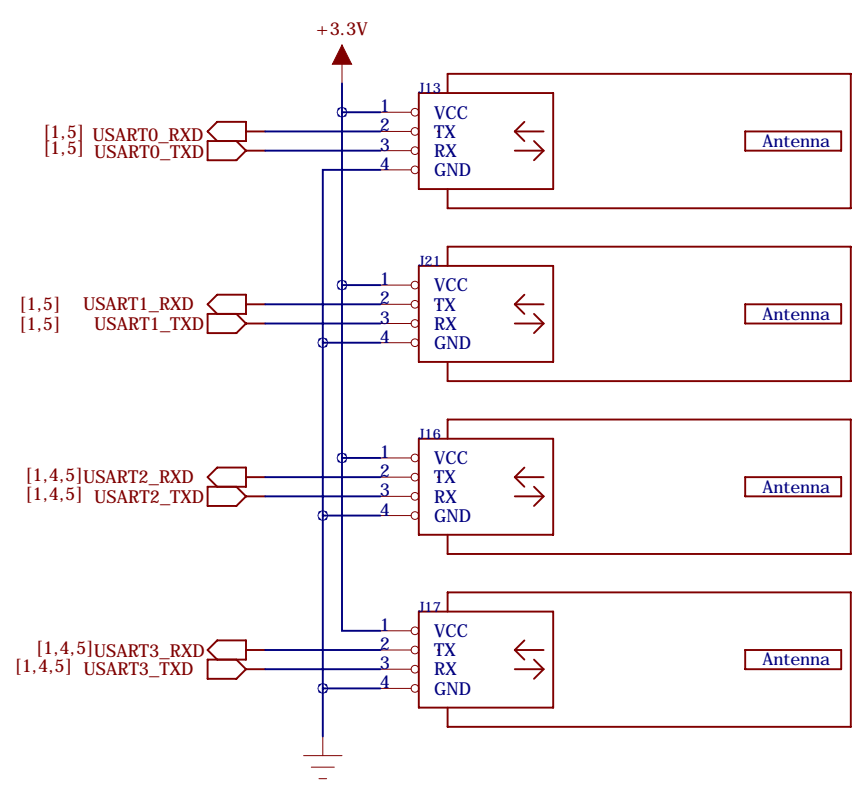
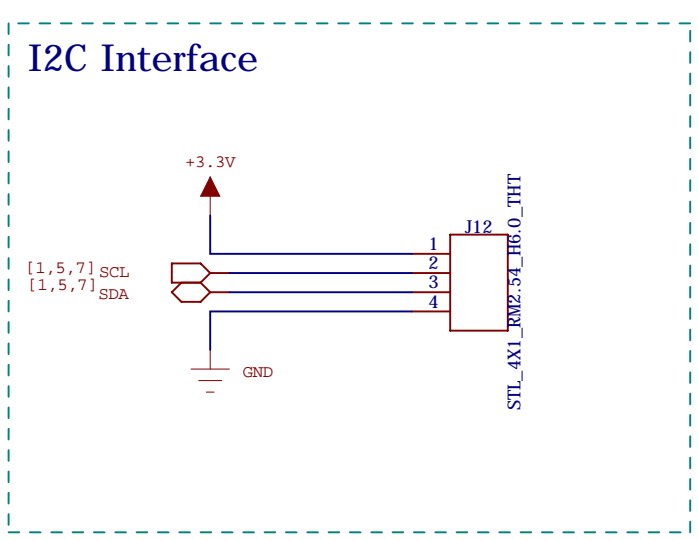
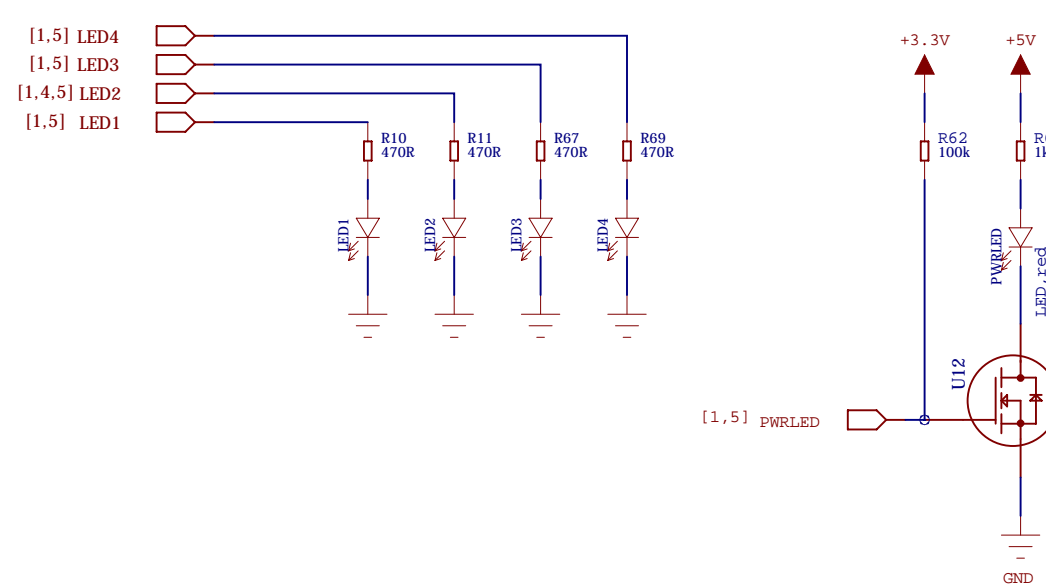
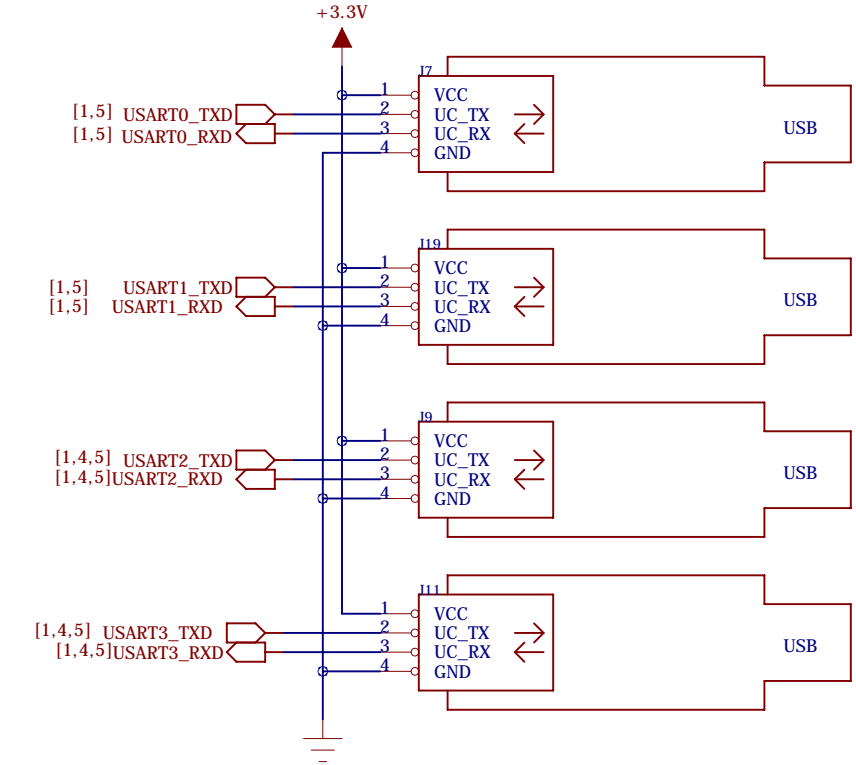
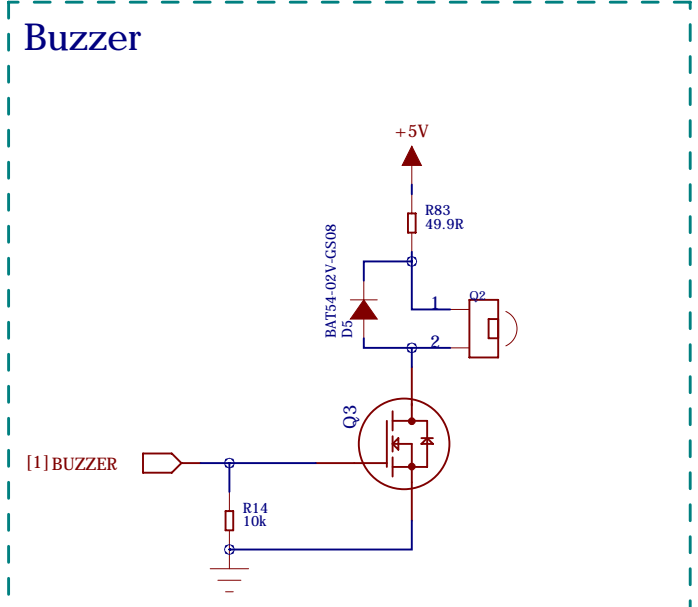
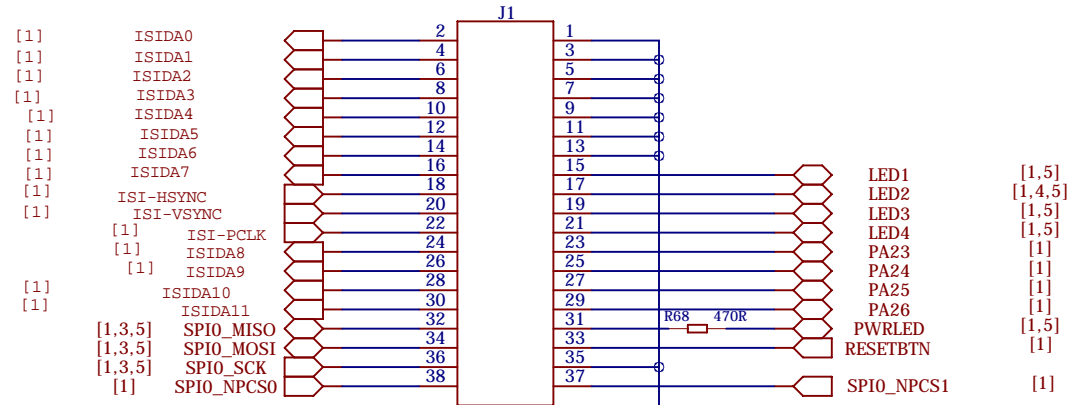
BOARD NO 625000082C	SHEET TITLE ONBOARD-GRAPHIC	SIZE: A3	REV: C
DRAWN: Jörg Träger	DATED: 01.01.2009	RELEASED: -	DATED:
CHECKED: -	DATED: -	LAST SAVED 17.09.2014	SHEET: 3 OF 8





In-Circuit GmbH
 Boltenhagener Str. 124
 D-01109 Dresden
 (C) Copyright by In-Circuit GmbH

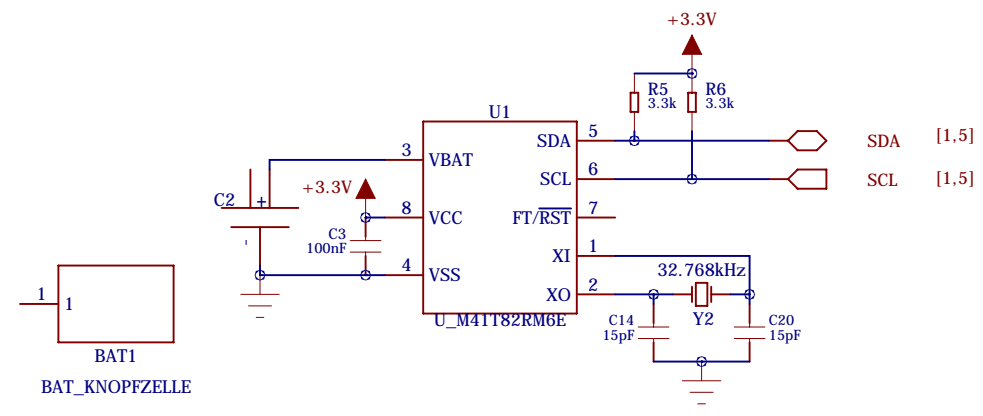
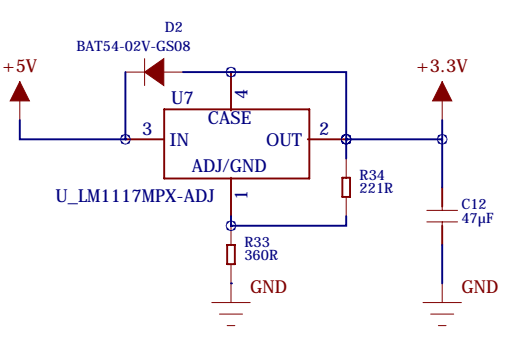
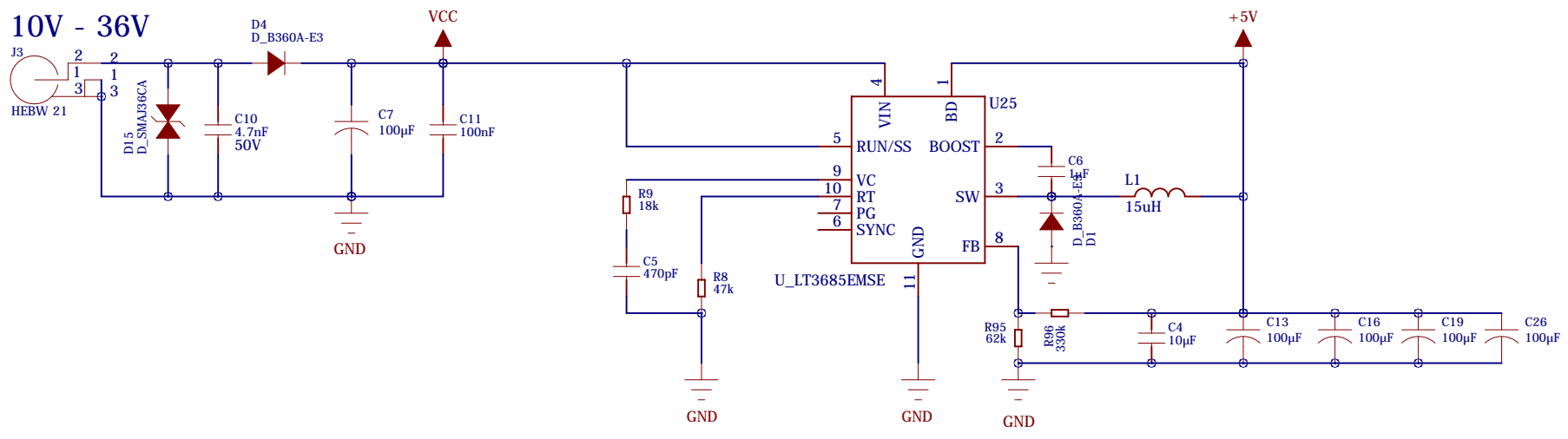
PROJECT TITLE: 610000085: ICnova ADB 1000			
BOARD NO 625000082C	SHEET TITLE RS485	SIZE: A3	REV: C
DRAWN: Jörg Träger	DATED: 01.01.2009	RELEASED: -	DATED:
CHECKED: -	DATED: -	LAST SAVED 17.09.2014	SHEET: 4 OF 8




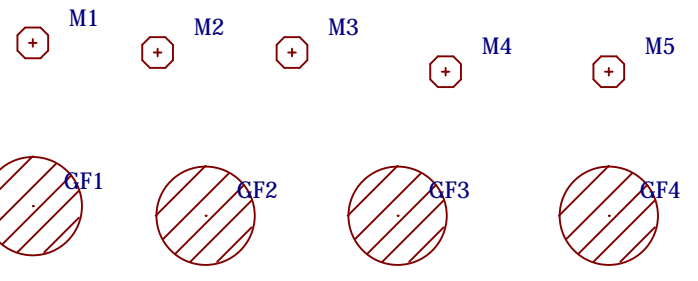
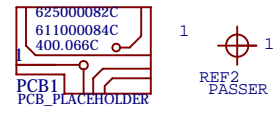
In-Circuit GmbH
 Boltenhagener Str. 124
 D-01109 Dresden
 (C) Copyright by In-Circuit GmbH


PROJECT TITLE:
610000085: ICnova ADB 1000

BOARD NO 625000082C	SHEET TITLE CONNECTORS/LED/GPIO	SIZE: A3	REV: C
DRAWN: Jörg Träger	DATED: 01.01.2009	RELEASED: -	DATED:
CHECKED: -	DATED: -	LAST SAVED 17.09.2014	SHEET: 5 OF 8



 In-Circuit GmbH Boltenhagener Str. 124 D-01109 Dresden (C) Copyright by In-Circuit GmbH			
PROJECT TITLE: 610000085: ICnova ADB 1000			
BOARD NO 625000082C	SHEET TITLE POWER/RTC	SIZE: A3	REV: C
DRAWN: Jörg Träger	DATED: 01.01.2009	RELEASED: -	DATED:
CHECKED: -	DATED: -	LAST SAVED 17.09.2014	SHEET: 7 OF 8



 <p>In-Circuit GmbH Boltenhagener Str. 124 D-01109 Dresden (C) Copyright by In-Circuit GmbH</p>			
PROJECT TITLE: 610000085: ICnova ADB 1000			
BOARD NO 625000082C	SHEET TITLE MECHANICAL	SIZE: A3	REV: C
DRAWN: Jörg Träger	DATED: 01.01.2009	RELEASED: -	DATED:
CHECKED: -	DATED: -	LAST SAVED 17.09.2014	SHEET: 8 OF 8