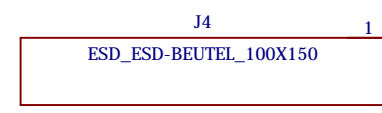
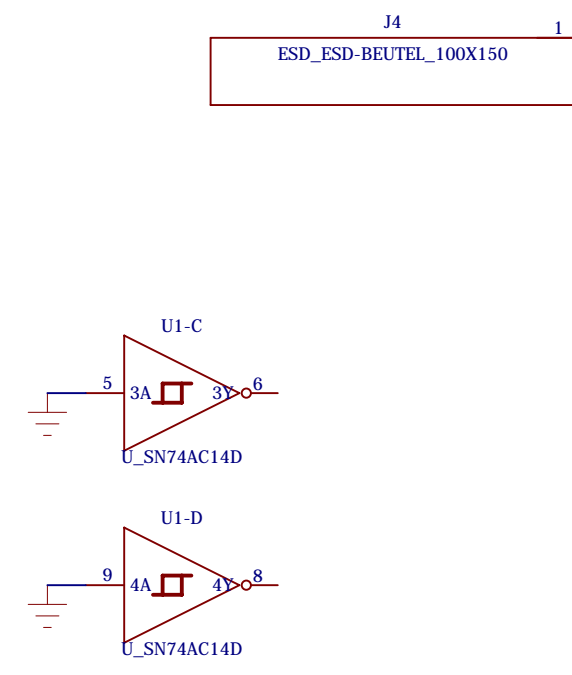
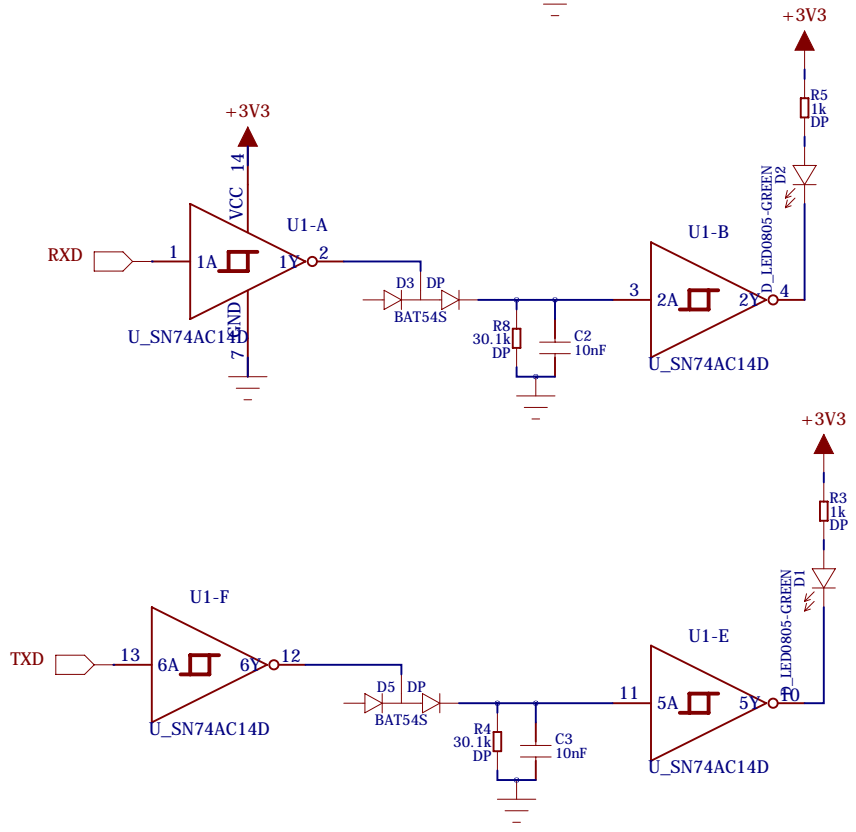
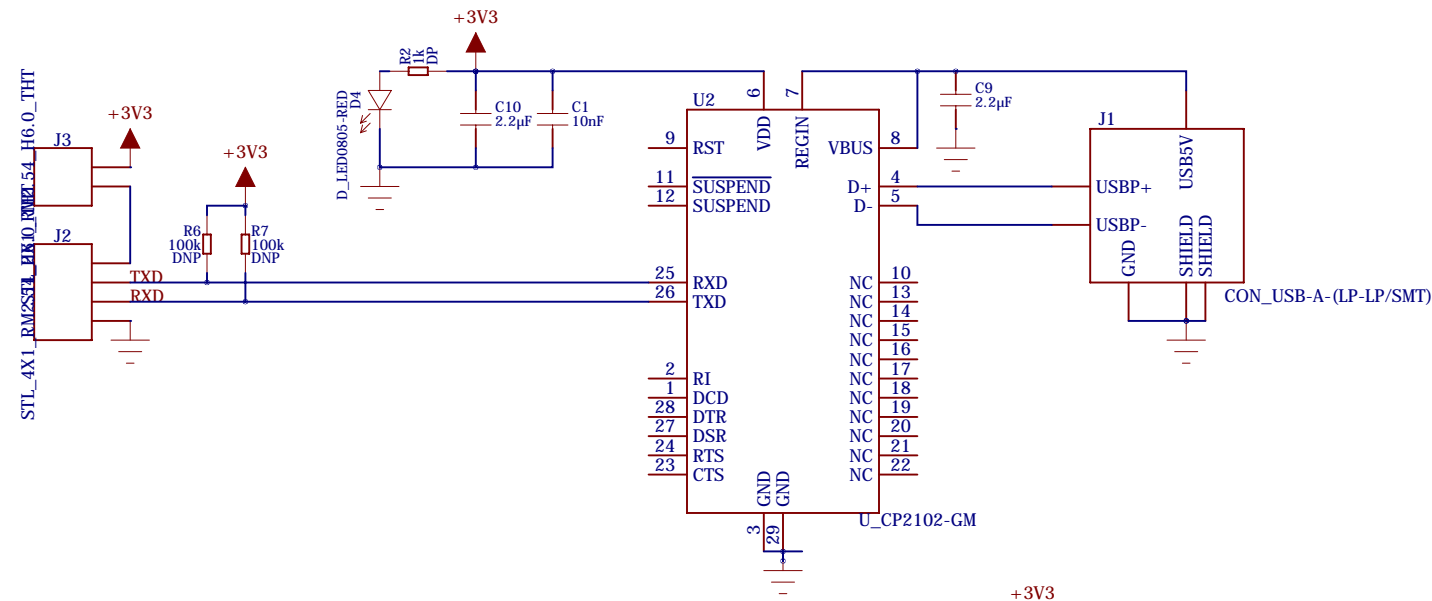
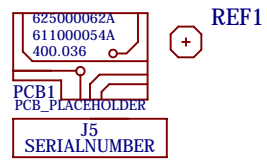
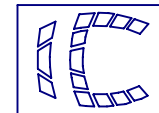


# USB I/F



 <b>In-Circuit GmbH</b> Boltenhagener Str. 124 D-01109 Dresden (C) Copyright by In-Circuit GmbH			
PROJECT TITLE: <b>610000064: USB-RS232-Bridge</b>			
BOARD NO <b>625000062A</b>	SHEET TITLE <undefined>	SIZE: <b>A3</b>	REV: <b>A</b>
DRAWN: -	DATED: -	RELEASED: -	DATED: -
CHECKED: -	DATED: -	LAST SAVED <b>27.01.2017</b>	SHEET: <b>1 OF 1</b>