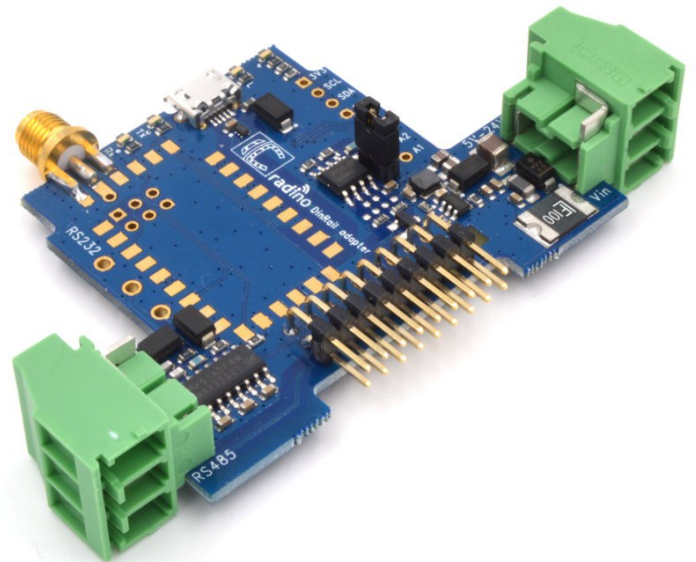


radino DinRail Adapter

The In-Circuit radino DinRail Adapter incorporates a RS485 driver and a radino module socket to connect any radino module to the Din Rail Bus.

Combined with radino, this adapter is completely Arduino compatible.



Features

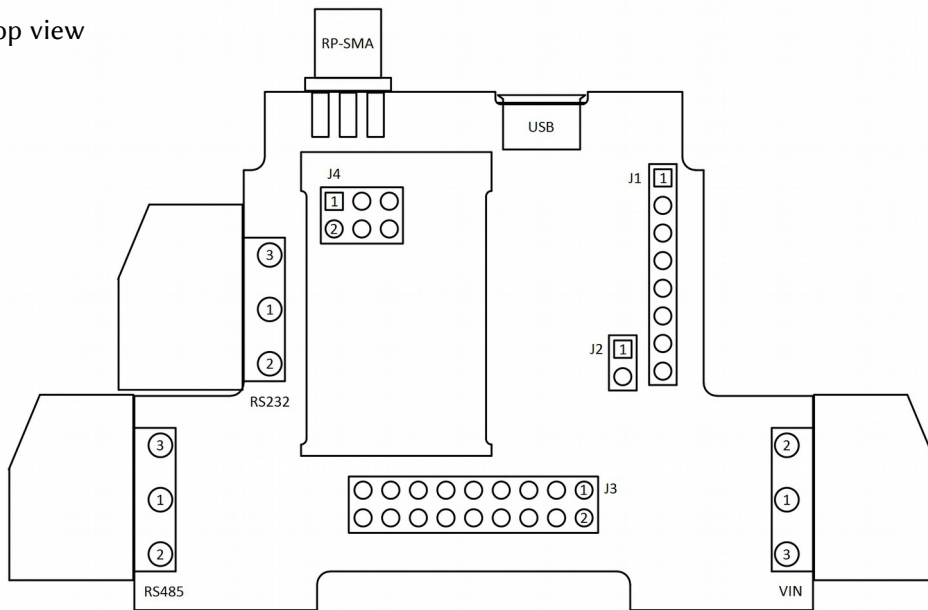
- Arduino compatible
- Arbitrary number of modules mountable side by side
- Easy connection of all modules with BUS connector
- ISP connector for programming
- All modules can communicate via RS485
- DIN-Rail enclosure: 1 pitch unit (div)
- User LED, RX/TX LEDs and power LED
- Input voltage: 24 V DC
- Temperature range from $-10\text{ }^{\circ}\text{C}$ to $+70\text{ }^{\circ}\text{C}$



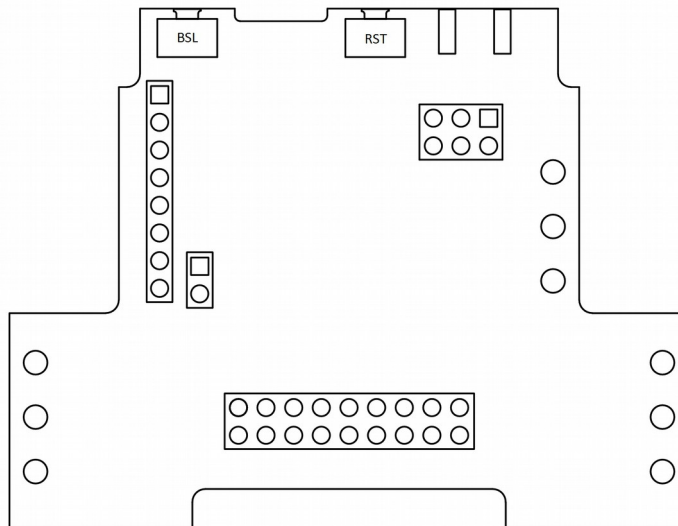
For more information visit: <http://www.in-circuit.de/>
<http://www.radino.cc/>

Pinout

Top view



Bottom view



RS485	Description
1	$\overline{\text{RS485_B}}$ (1 k Ω pull-down resistor)
2	RS485_A (1 k Ω pull-up resistor)
3	GND

VIN	Description
1	Vin (5 – 24 V)
2	GND
3	Vin (5 – 24 V)

RS232	Description
1	RS232_TX
2	RS232_RX
3	GND

J2	Description
1	RS485_A (120 Ω in series)
2	$\overline{\text{RS485_B}}$

RS485 loopback (set jumper for local echo)

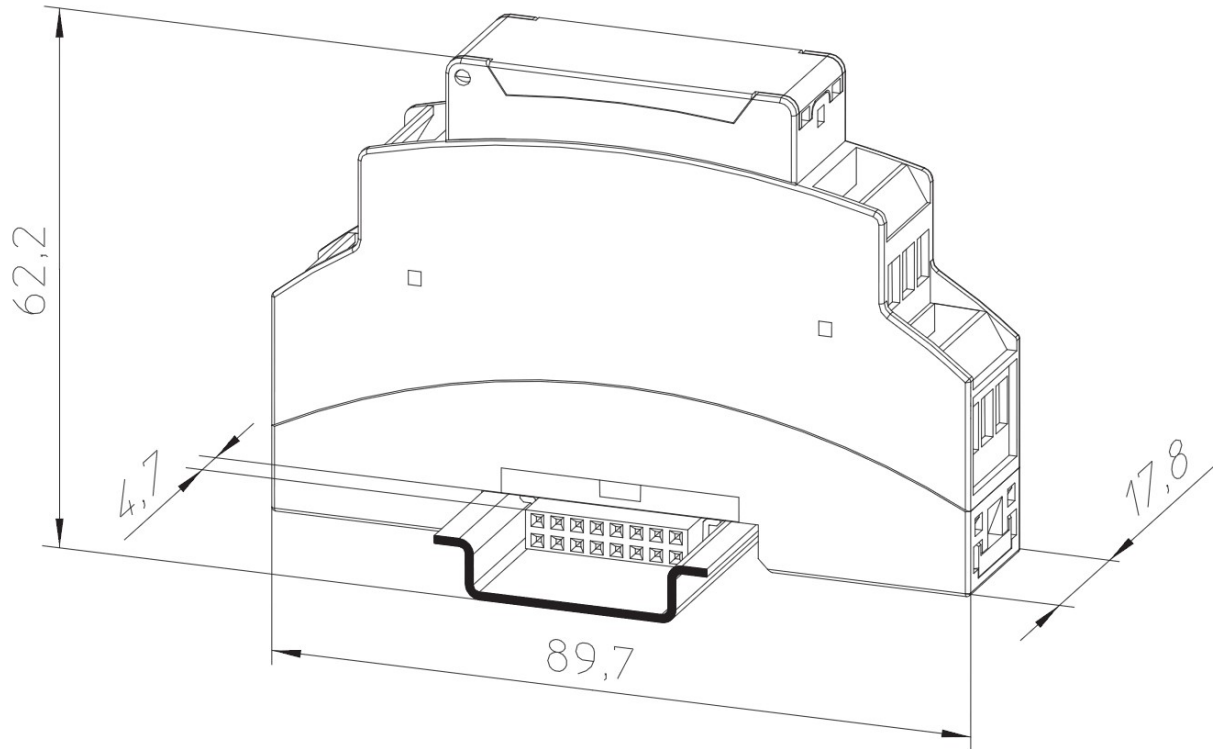
J1	Description
1	3.3V
2	SCL (10 k Ω pull-up resistor)
3	SDA (10 k Ω pull-up resistor)
4	GND
5	A3
6	A0
7	A2
8	A1

J3	Description
1	NC
2	NC
3	24 V
4	24 V
5	GND
6	GND
7	RS485_A
8	$\overline{\text{RS485_B}}$
9	GND
10	GND
11	NC
12	NC
13	GND
14	GND
15	NC
16	NC
17	NC
18	NC

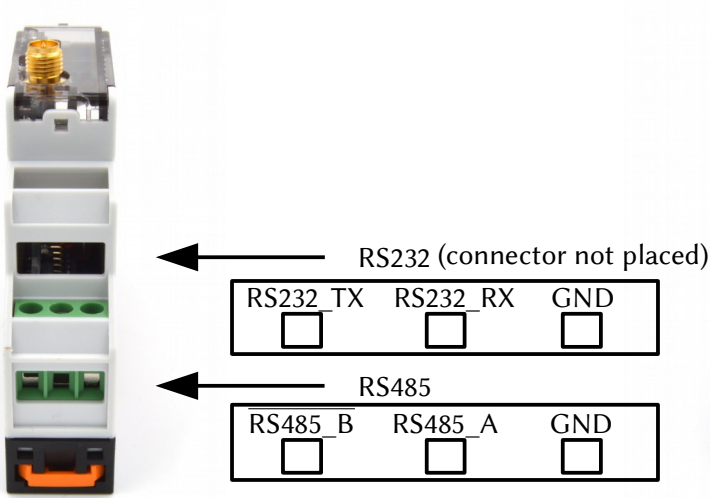
NC – not connected

J4	Description
1	MISO
2	3.3 V
3	SCK
4	MOSI
5	$\overline{\text{RST}}$
6	GND

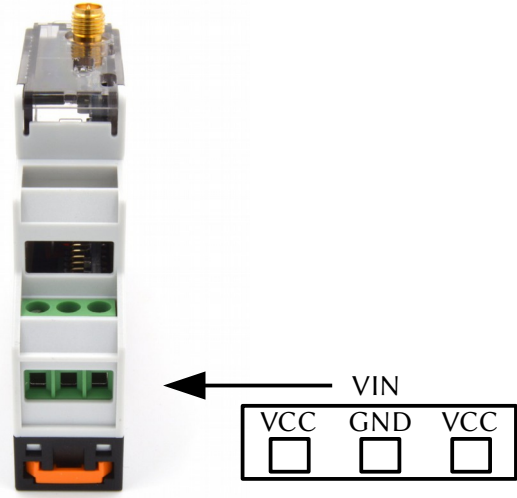
Mechanical dimension



Gallery



Bottom connectors



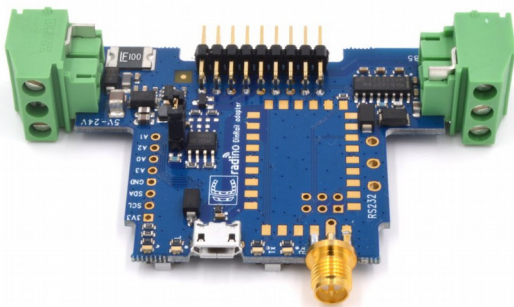
Top connector



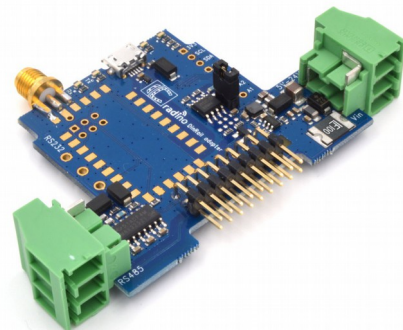
Front view



Back view



Front view without enclosure

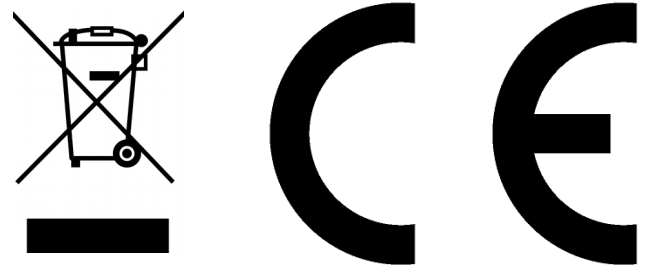


Back view without enclosure

Ordering Information

Part	Ordering Code	MOQ	Package
radino DinRail Adapter	901.329	1	Single device in Box

All radino modules are available online: <http://www.radino.cc/>



Version	Date	Changes	Editor
A	2014/12/02	Initial Version	Schmidt
	2015/04/01	Minor update	Klause
	2017/02/02	Major Update	Grünig