

## DW1000 Tag

Tag for Ranging / RTLS applications with  
**radino 32** DW1000 Ultra Wide Band module.



## Features

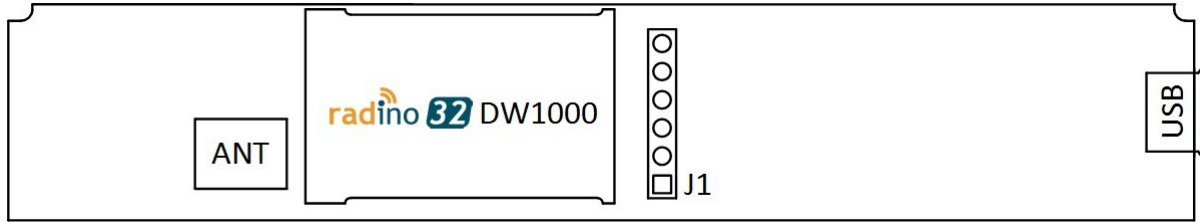
- radino32 DW1000 module
- Integrated UWB antenna
- Integrated USB-Li-ion loader for 18 650 battery
- microUSB connector for battery loading and USB communication
- Transparent enclosure
- Accelerometer, 3-Axis (MMA7660FC)
- 3 freely programmable LEDs



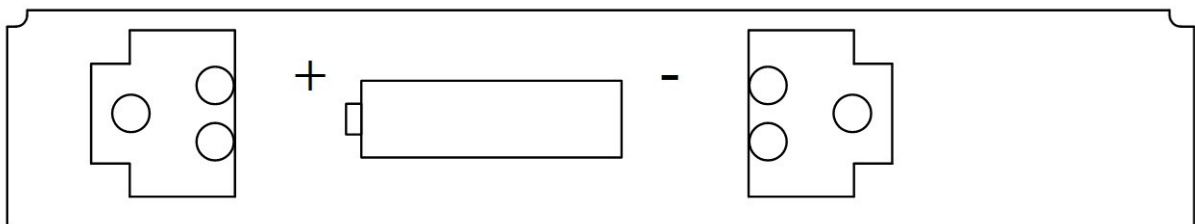
For more information visit:  
<http://www.in-circuit.de/>  
<http://www.radino.cc/>

## Pinout

Top view

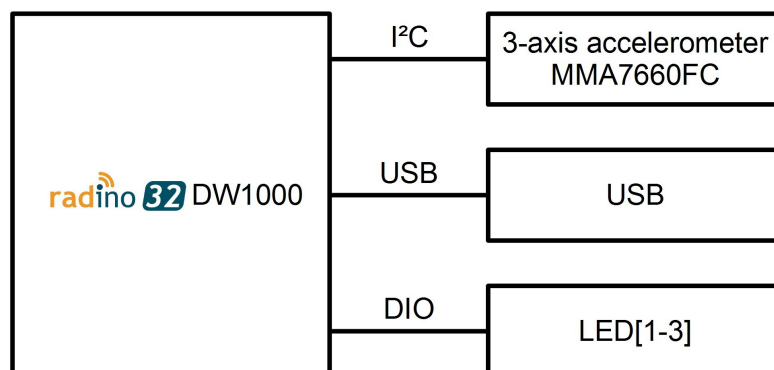


Bottom view



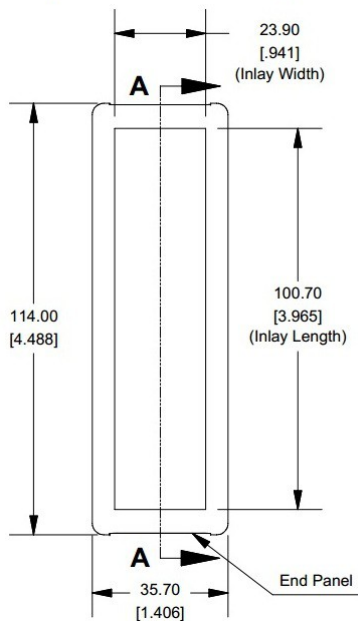
J1	Description
1	RESET
2	GND
3	UART-RX
4	UART-TX
5	VCC (+3V3)
6	BSL

## Connection

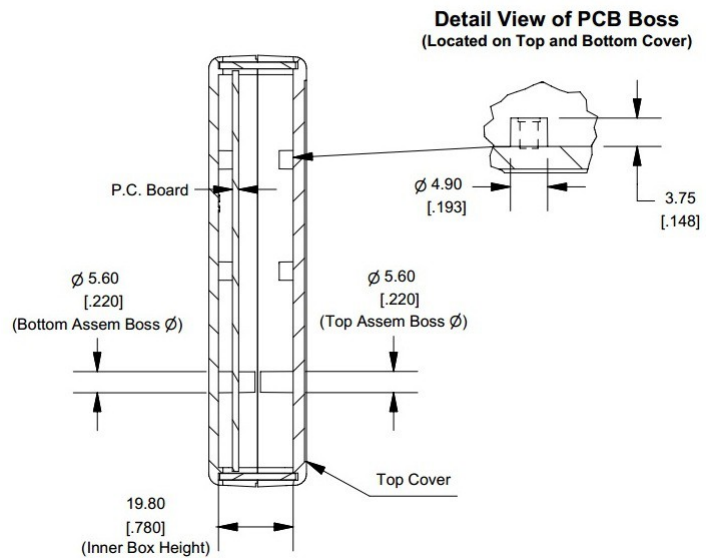


## Dimensions of enclosure

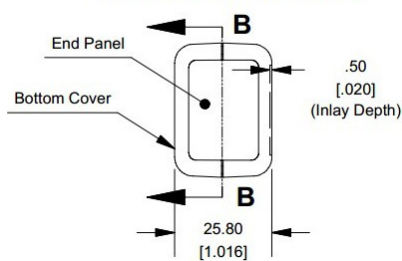
**Top View of Assembly**



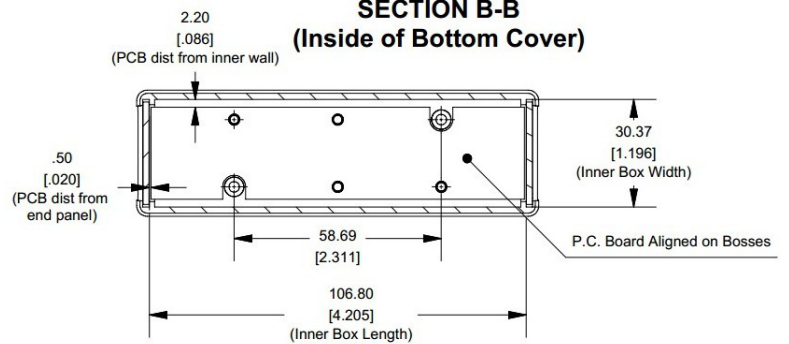
**SECTION A-A  
(Side View Inside Assembly)**



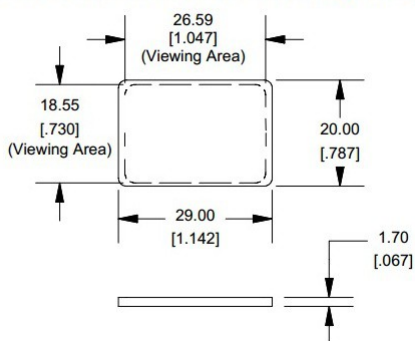
**End View of Assembly**



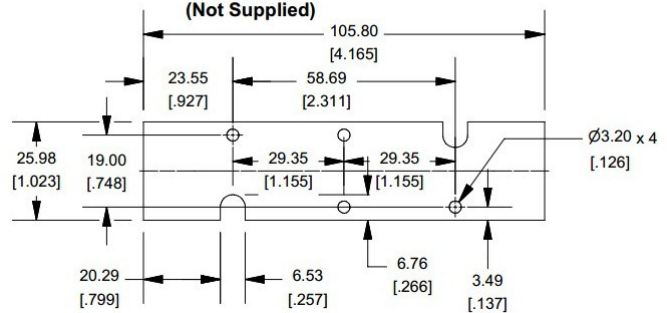
**SECTION B-B  
(Inside of Bottom Cover)**



**Front/Rear Panel  
(Dashed Line Indicates Viewing Area)**

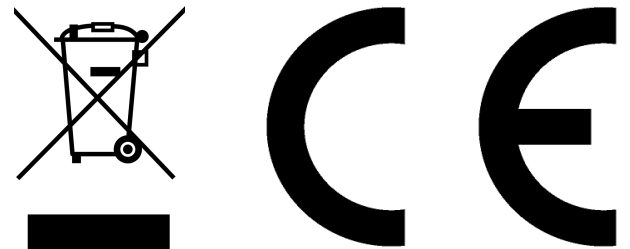


**Maximum P.C. Board Size  
(Not Supplied)**



## Ordering Information

Part	Ordering Code	MOQ	Package
DW1000 Tag	901.396	1	Single device in box



### Revision history:

Version	Date	Changes	Editor
A	2017/05/29	Initial Version	Grünig