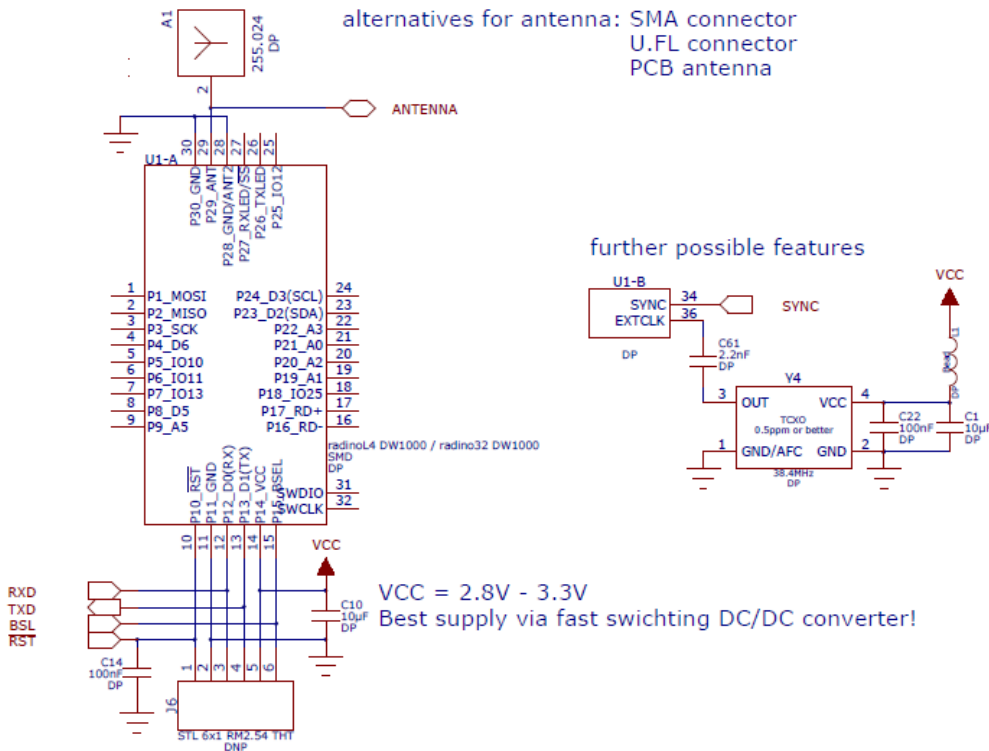


Minimum schematic with BOM and recommended Layout



Item	Qty	IC-ART# order number	Value	Tolerance	PCB Decal	DNP	Reference
1	1	255.024	AH086M555003-T		AH086M555003-T	DP	A1
2	1	201.045	2.2nF	C0G 5%, 50V	C_0603	DP	C61
3	2	201.000	100nF	10%, 50V, X7R	C_0603	DP	C14,C22
4	2	201.179	10µF	10%, 6V3, X5R	C_0603	DP	C1,C10
5	1	203.047	Bead	600 OHM, 150 MA	R_0603	DP	L1
6	1	901.388 / 901.388B	radino32/L4 DW1000	SMD	RADINO32 DW 1000	DP	U1
7	1	204.114	38.4MHz TCXO 2mmx1.6mm	0.5ppm, -30+85	CRYSTAL_TXC_2.0X1.6MM	DP	Y4
9	1	301.000	STL 6x1 RM2.54 THT		STL_6X1_RM2.54_H6.0_THT	DNP	J6

