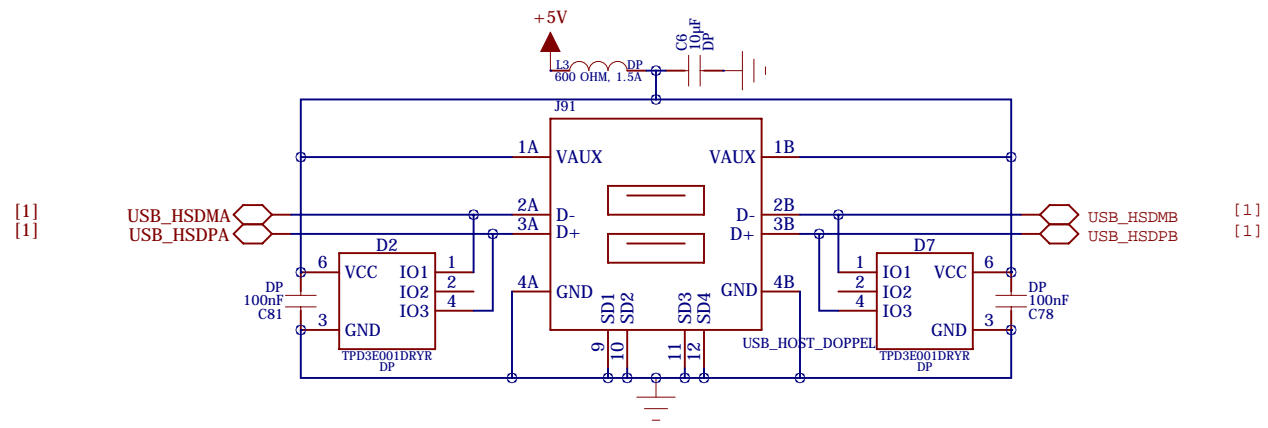
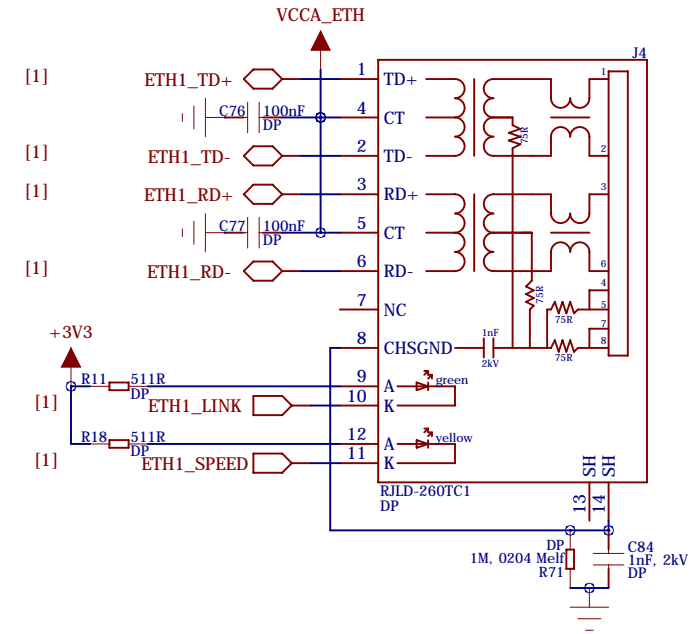
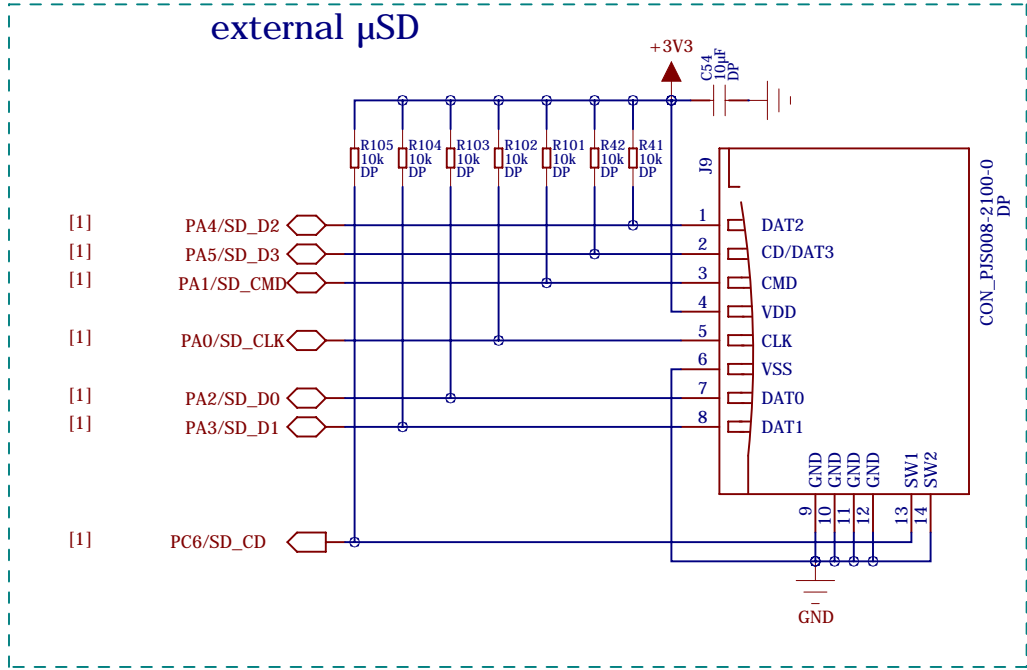
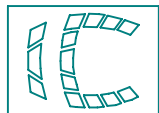
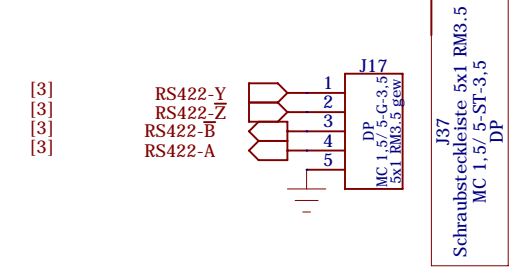
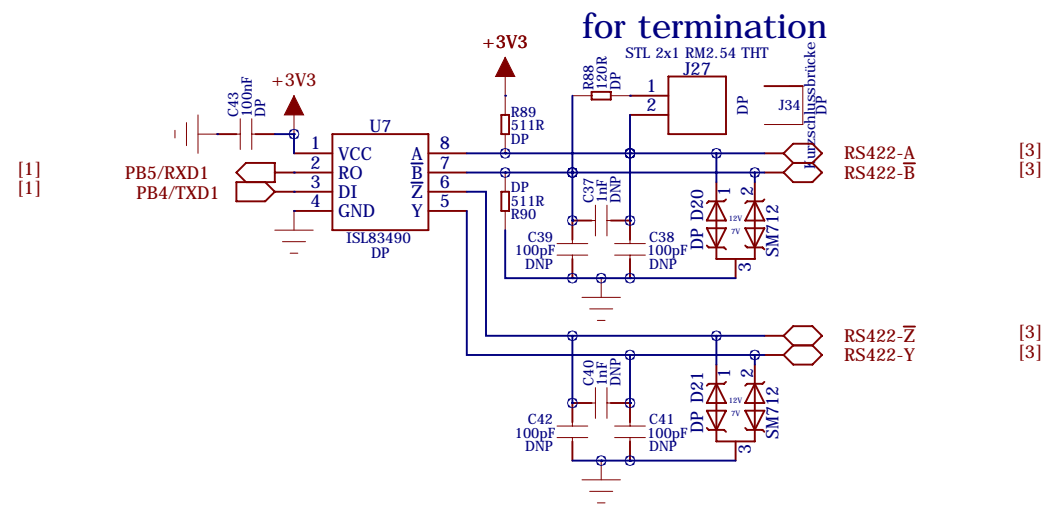
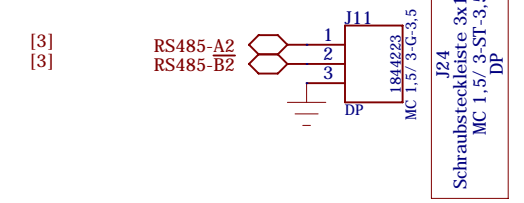
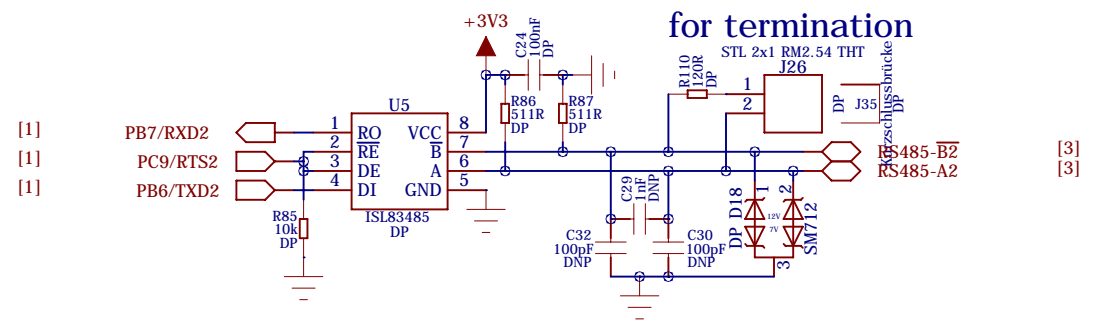
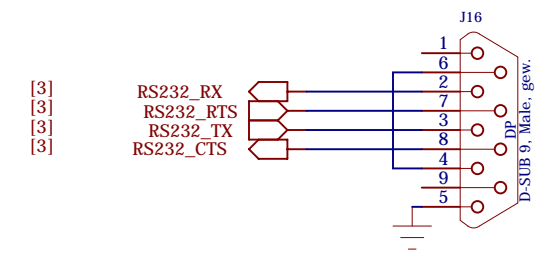
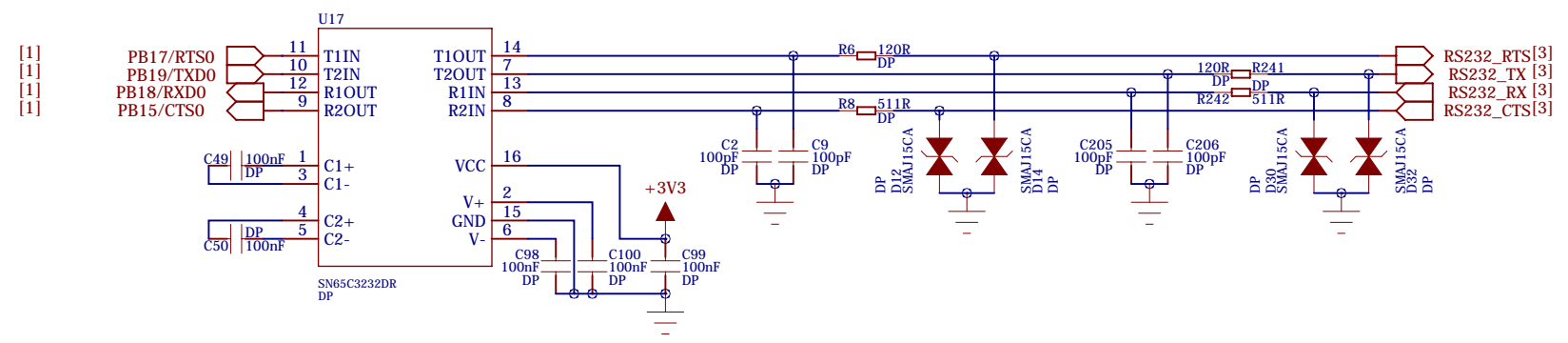


**In-Circuit GmbH**  
 Boltenhagener Str. 124  
 D-01109 Dresden  
 (C) Copyright by In-Circuit GmbH

PROJECT TITLE: <b>610000267: ICT ADB4004</b>			
BOARD NO <b>625000268A</b>	SHEET TITLE <b>1_ICNOVA</b>	SIZE: <b>A3</b>	REV: <b>A</b>
DRAWN: <b>Karsten Stork</b>	DATED: <b>06.03.2014</b>	RELEASED: <b>-</b>	DATED:
CHECKED: <b>-</b>	DATED:	LAST SAVED <b>04.06.2014</b>	SHEET: <b>1 OF 8</b>

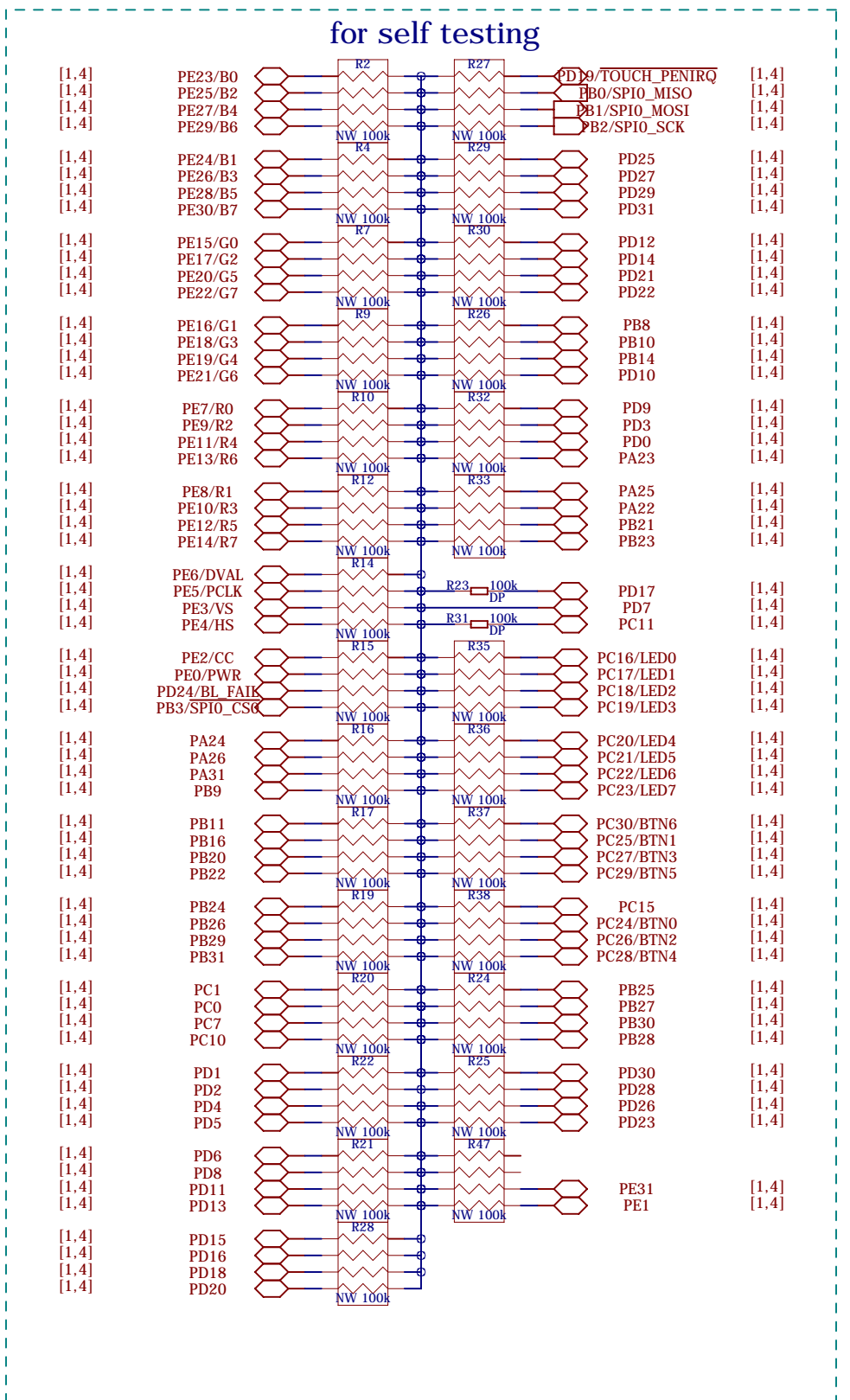
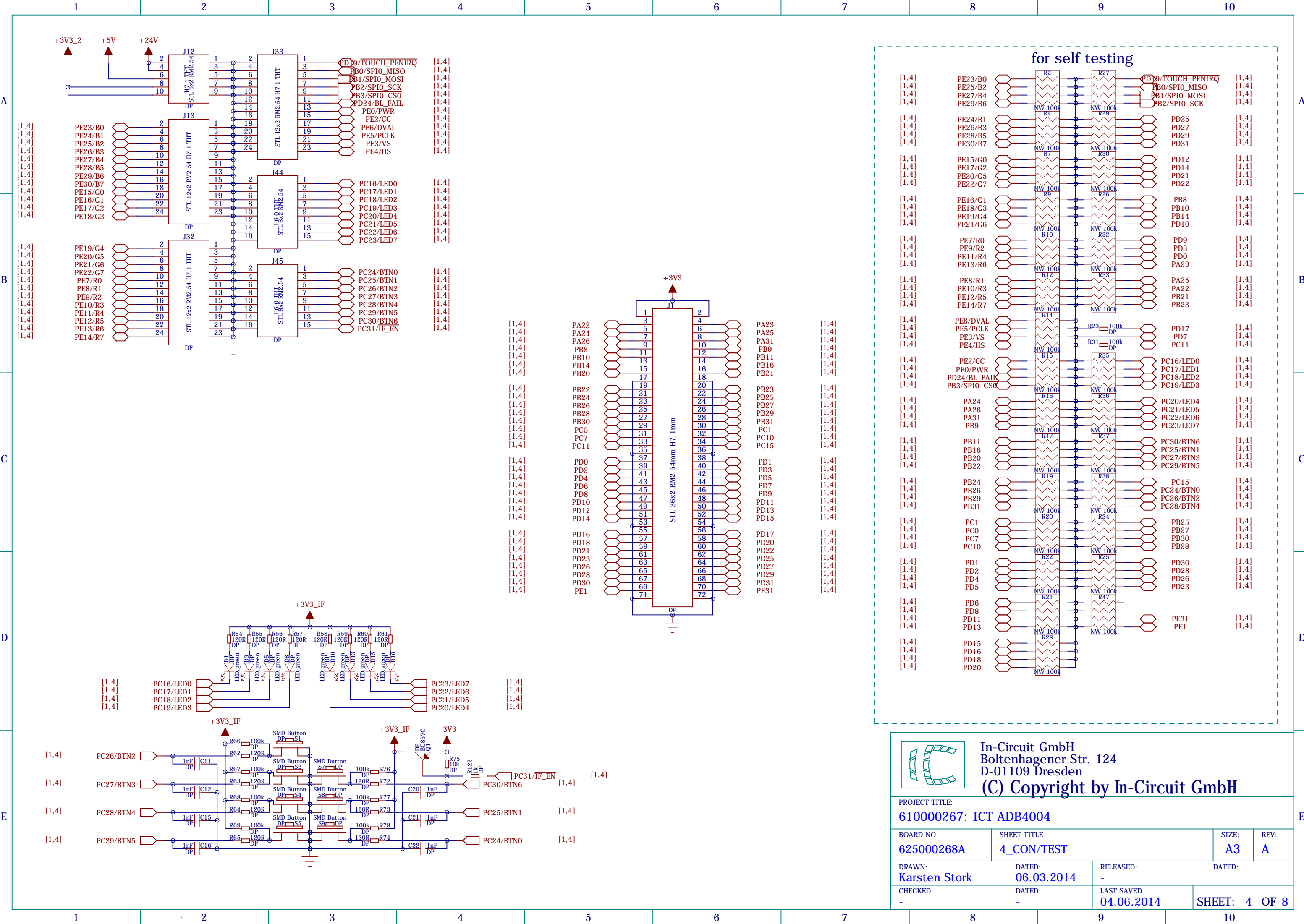


 <b>In-Circuit GmbH</b> Boltenhagener Str. 124 D-01109 Dresden (C) Copyright by In-Circuit GmbH			
PROJECT TITLE: <b>610000267: ICT ADB4004</b>			
BOARD NO <b>625000268A</b>	SHEET TITLE <b>2_ETH/μSD/USB</b>	SIZE: <b>A3</b>	REV: <b>A</b>
DRAWN: <b>Karsten Stork</b>	DATED: <b>06.03.2014</b>	RELEASED: <b>-</b>	DATED: <b>-</b>
CHECKED: <b>-</b>	DATED: <b>-</b>	LAST SAVED <b>04.06.2014</b>	SHEET: <b>2 OF 8</b>



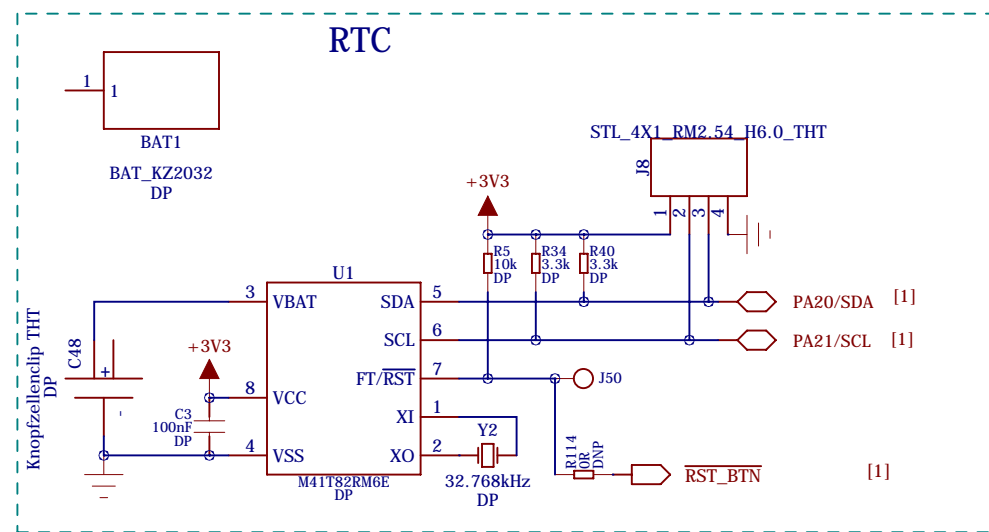
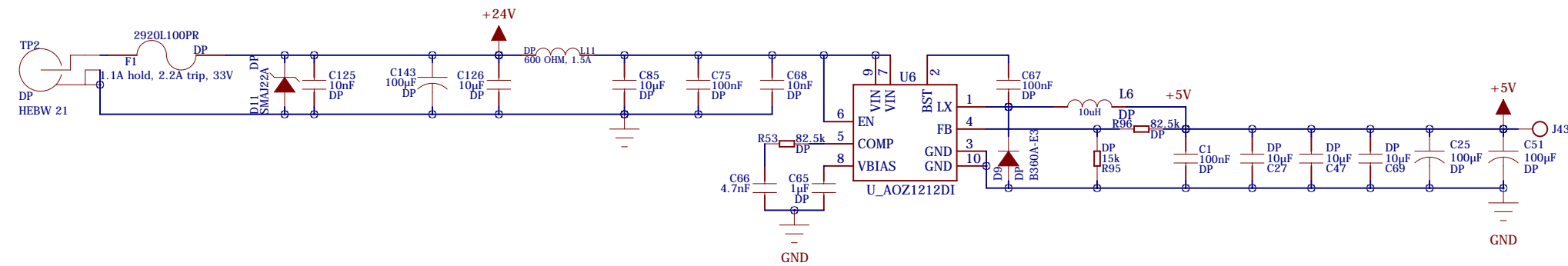
**In-Circuit GmbH**  
 Boltenhagener Str. 124  
 D-01109 Dresden  
 (C) Copyright by In-Circuit GmbH

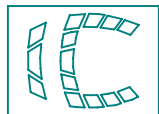
PROJECT TITLE: <b>610000267: ICT ADB4004</b>			
BOARD NO <b>625000268A</b>	SHEET TITLE <b>3_SERIAL-IF</b>	SIZE: <b>A3</b>	REV: <b>A</b>
DRAWN: <b>Karsten Stork</b>	DATED: <b>06.03.2014</b>	RELEASED: <b>-</b>	DATED:
CHECKED: <b>-</b>	DATED: <b>-</b>	LAST SAVED <b>04.06.2014</b>	SHEET: <b>3 OF 8</b>



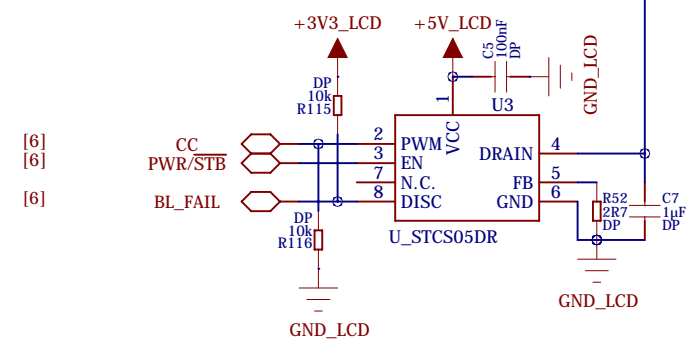
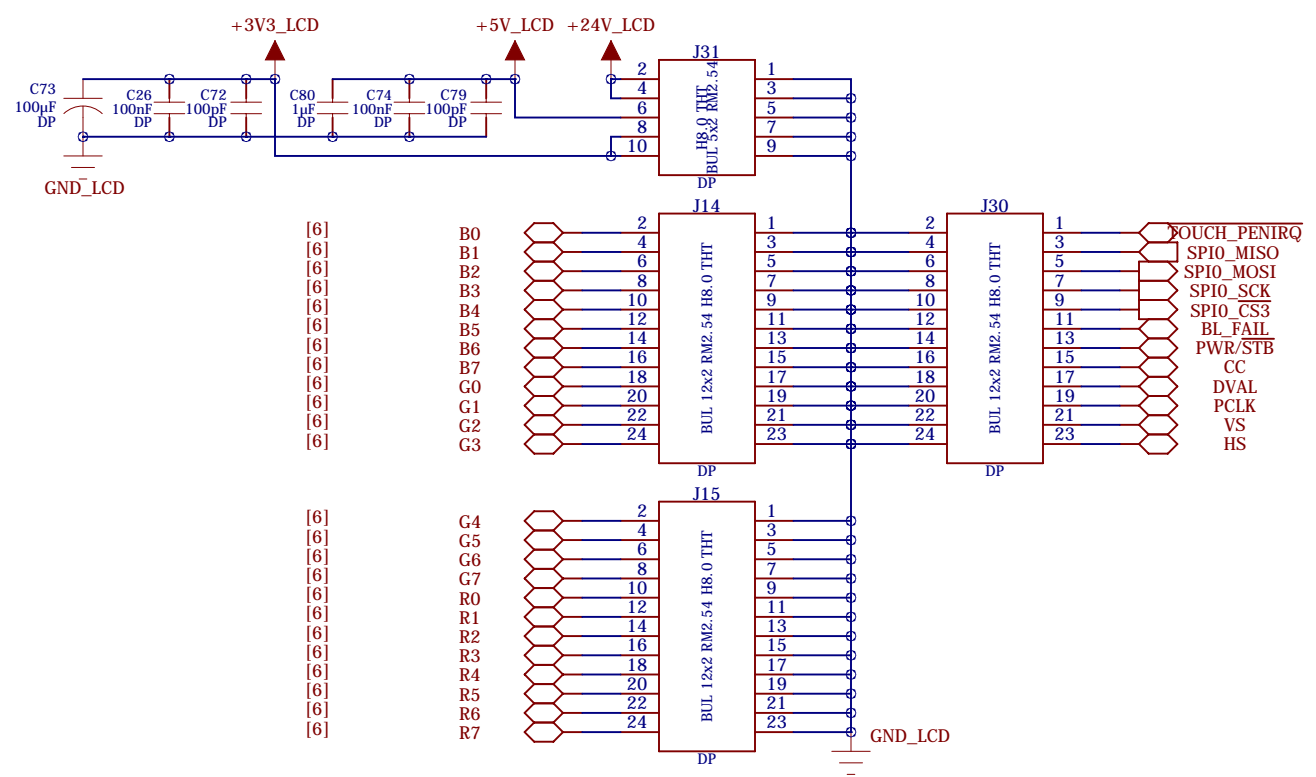
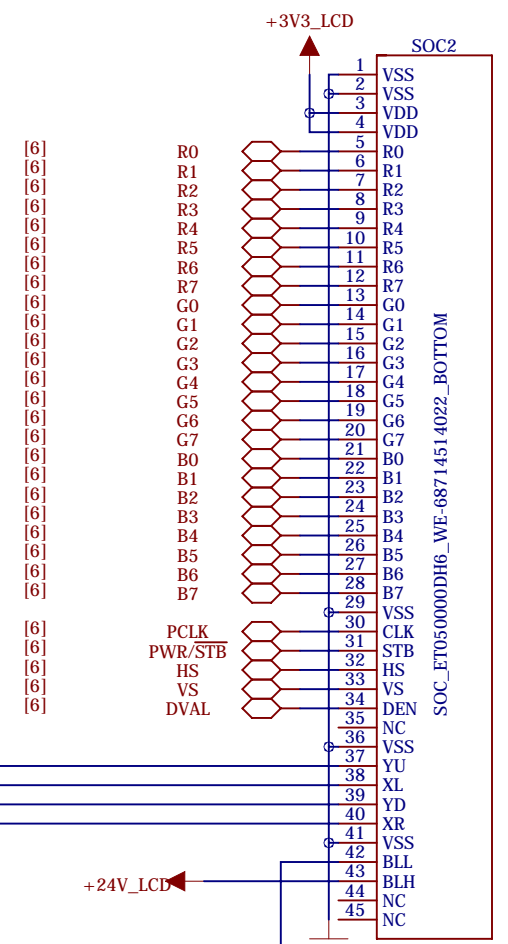
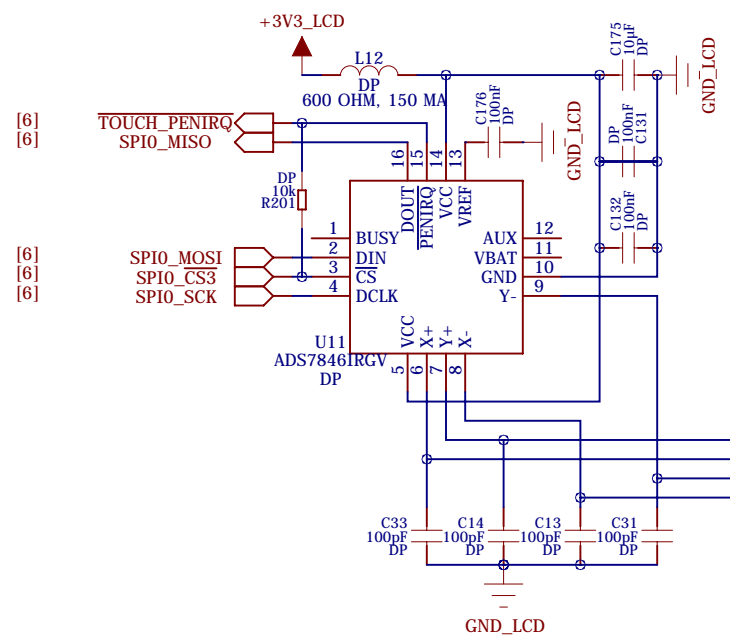
In-Circuit GmbH  
 Boltenhagener Str. 124  
 D-01109 Dresden  
 (C) Copyright by In-Circuit GmbH

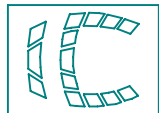
PROJECT TITLE: <b>610000267: ICT ADB4004</b>			
BOARD NO <b>625000268A</b>	SHEET TITLE <b>4_CON/TEST</b>	SIZE: <b>A3</b>	REV: <b>A</b>
DRAWN: <b>Karsten Stork</b>	DATED: <b>06.03.2014</b>	RELEASED: <b>-</b>	DATED:
CHECKED: <b>-</b>	DATED:	LAST SAVED <b>04.06.2014</b>	SHEET: <b>4 OF 8</b>



		<b>In-Circuit GmbH</b> Boltenhagener Str. 124 D-01109 Dresden (C) Copyright by In-Circuit GmbH	
PROJECT TITLE: <b>610000267: ICT ADB4004</b>			
BOARD NO	SHEET TITLE	SIZE:	REV:
<b>625000268A</b>	<b>5_PWR/RTC</b>	<b>A3</b>	<b>A</b>
DRAWN:	DATED:	RELEASED:	DATED:
<b>Karsten Stork</b>	<b>06.03.2014</b>	-	-
CHECKED:	DATED:	LAST SAVED	SHEET: 5 OF 8
-	-	<b>04.06.2014</b>	

MEC442  
ET050000DH6  
Touch-TFT, 800x480, 5"  
DP



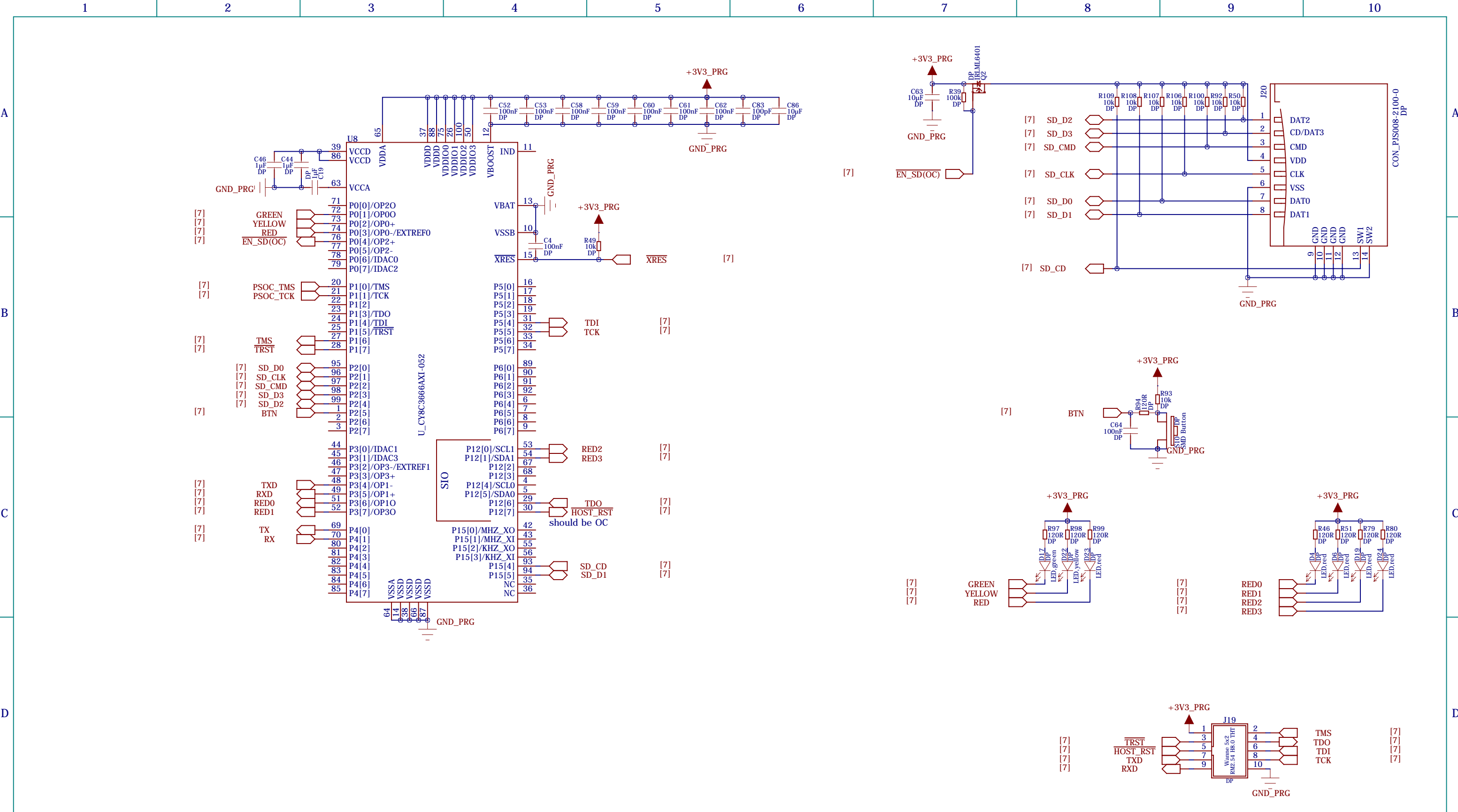


**In-Circuit GmbH**  
Boltenhagener Str. 124  
D-01109 Dresden  
(C) Copyright by In-Circuit GmbH

PROJECT TITLE:  
**610000267: ICT ADB4004**

BOARD NO <b>625000268A</b>	SHEET TITLE <b>6_DISPLAY</b>	SIZE: <b>A3</b>	REV: <b>A</b>
DRAWN: <b>Karsten Stork</b>	DATED: <b>06.03.2014</b>	RELEASED: <b>-</b>	DATED:
CHECKED: <b>-</b>	DATED:	LAST SAVED <b>04.06.2014</b>	SHEET: <b>6 OF 8</b>





**Wanne 5x2**  
RM2.54 HR.0 THT

J22

1 +3V3\_PRG  
2 PSOC\_TMS [7]  
3 PSOC\_TCK [7]  
4 XRES [7]  
5  
6  
7  
8  
9  
10

GND\_PRG

J3  
STL 2xT1 RM2.54 THT

1  
2  
GND\_PRG

**Wanne 5x2**  
RM2.54 HR.0 THT

J21

1 +3V3\_PRG  
2 VCC  
3 UC\_TX  
4 UC\_RX  
5 GND  
6  
7  
8  
9  
10

GND\_PRG

TX  
RX

USB

**Wanne 5x2**  
RM2.54 HR.0 THT

J19

1 +3V3\_PRG  
2 TRST [7]  
3 HOST\_RST [7]  
4 TXD [7]  
5 RXD [7]  
6  
7  
8  
9  
10

GND\_PRG

TMS [7]  
TDO [7]  
TDI [7]  
TCK [7]

**Wanne 5x2**  
RM2.54 HR.0 THT

J20

1 DAT2  
2 CD/DAT3  
3 CMD  
4 VDD  
5 CLK  
6 VSS  
7 DAT0  
8 DAT1  
9 GND  
10 GND  
11 GND  
12 GND  
13 SW1  
14 SW2

GND\_PRG

CON\_PIS008-2100-0 DP

**Wanne 5x2**  
RM2.54 HR.0 THT

J23

1 GREEN  
2 YELLOW  
3 RED  
4 EN\_SD(OC) [7]

GND\_PRG

**Wanne 5x2**  
RM2.54 HR.0 THT

J24

1 GREEN  
2 YELLOW  
3 RED

GND\_PRG

**Wanne 5x2**  
RM2.54 HR.0 THT

J25

1 RED0 [7]  
2 RED1 [7]  
3 RED2 [7]  
4 RED3 [7]

GND\_PRG

**Wanne 5x2**  
RM2.54 HR.0 THT

J26

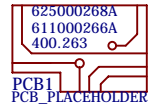
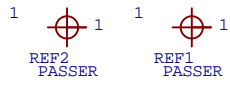
1 +3V3\_PRG  
2 TRST [7]  
3 HOST\_RST [7]  
4 TXD [7]  
5 RXD [7]

GND\_PRG

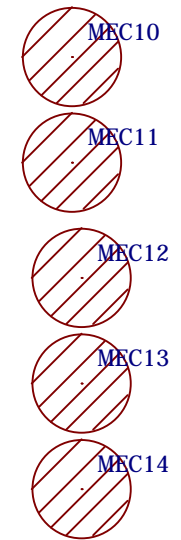
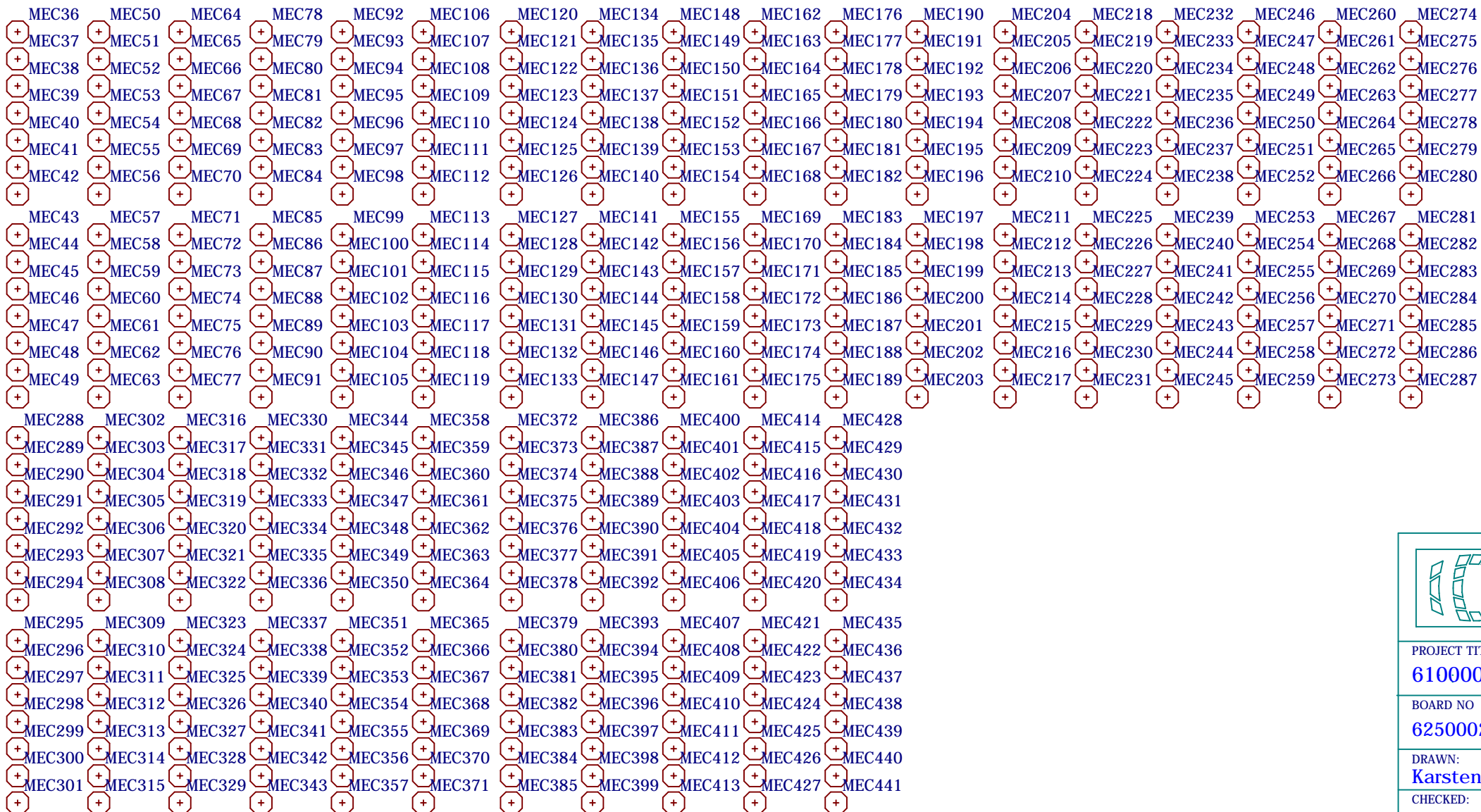
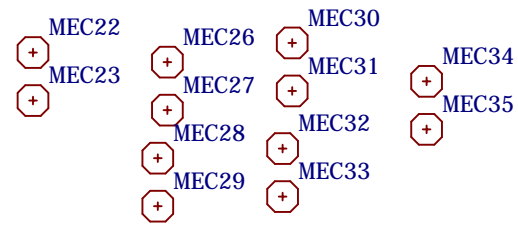
**In-Circuit GmbH**  
Boltenhagener Str. 124  
D-01109 Dresden  
(C) Copyright by In-Circuit GmbH

PROJECT TITLE:  
**610000267: ICT ADB4004**

BOARD NO <b>625000268A</b>	SHEET TITLE <b>7_PROG</b>	SIZE: <b>A3</b>	REV: <b>A</b>
DRAWN: <b>Karsten Stork</b>	DATED: <b>06.03.2014</b>	RELEASED: <b>-</b>	DATED:
CHECKED: <b>-</b>	DATED:	LAST SAVED <b>04.06.2014</b>	SHEET: <b>7 OF 8</b>



J2 SERIALNUMBER



				In-Circuit GmbH Boltenhagener Str. 124 D-01109 Dresden <b>(C) Copyright by In-Circuit GmbH</b>			
PROJECT TITLE: <b>610000267: ICT ADB4004</b>							
BOARD NO <b>625000268A</b>		SHEET TITLE <b>8_MECHANICAL</b>			SIZE: <b>A3</b>	REV: <b>A</b>	
DRAWN: <b>Karsten Stork</b>		DATED: <b>06.03.2014</b>		RELEASED: -		DATED:	
CHECKED: -		DATED: -		LAST SAVED <b>04.06.2014</b>		SHEET: <b>8 OF 8</b>	