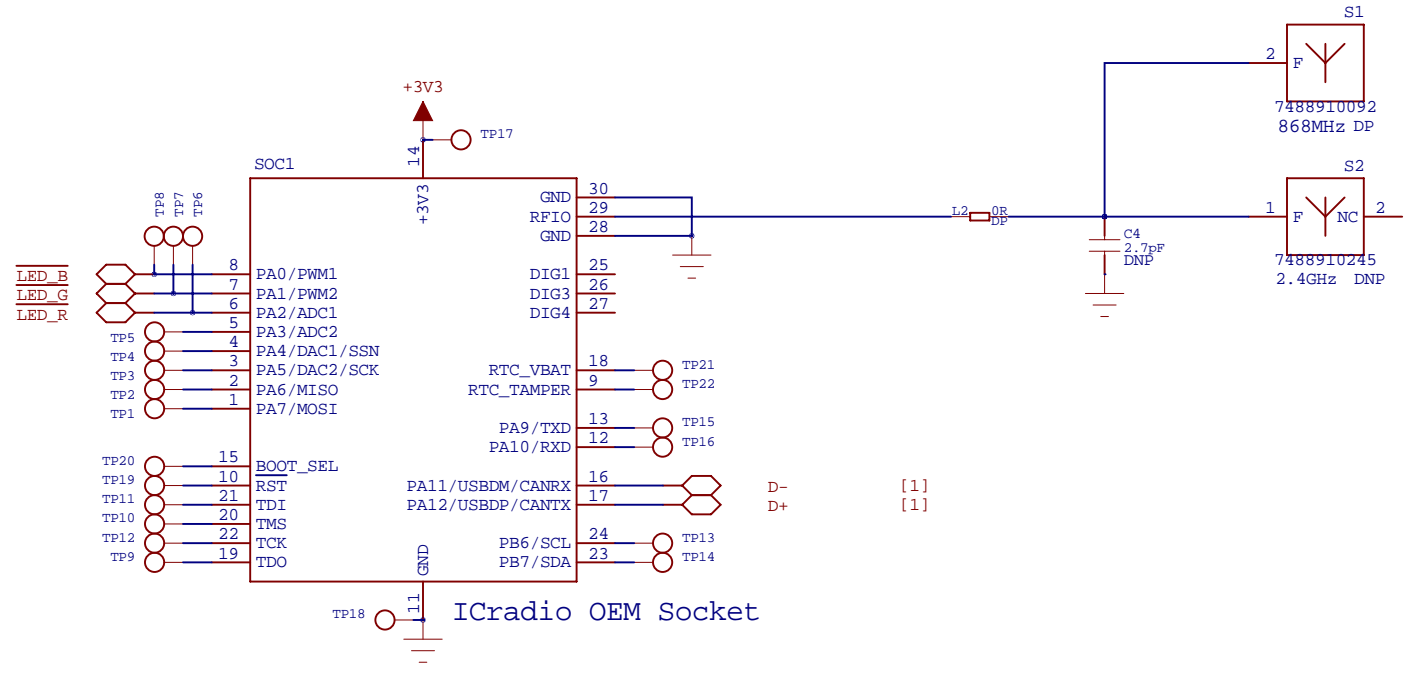


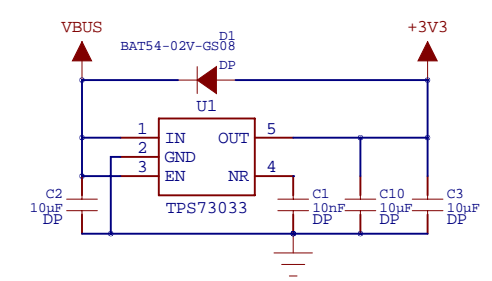
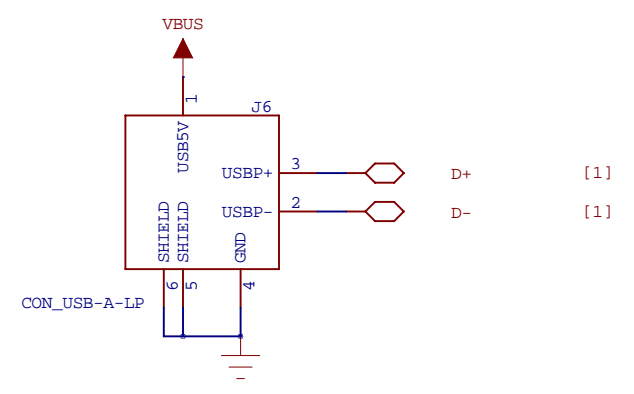
[1]  
[1]  
[1]



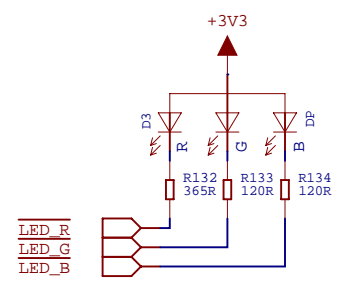
868MHz option (ZWIR4512)

2.4GHz option

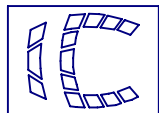
[1]  
[1]



[1]  
[1]  
[1]



EBG1  
EBG\_RADIO\_ZWIR4512

|  |                          |                            |                          |
|--|--------------------------|----------------------------|--------------------------|
|  In-Circuit GmbH<br>Königsbrücker Str. 69<br>01099 Dresden<br>Germany |                          |                            |                          |
| PROJECT TITLE:<br>610000179: ICradio OEM Stick   |                          |                            |                          |
| BOARD NO<br>625000180A   | SHEET TITLE<br>MAIN      | SIZE<br>A3                 | REV:<br>A                |
| DRAWN:<br>Karsten Stork  | DATED:<br>03.03.2009     | RELEASED:<br><Released By> | DATED:<br><Release Date> |
| CHECKED:<br><Checked By>   | DATED:<br><Checked Date> | LAST SAVED<br>18.02.2011   | SHEET: 1 OF 2            |

