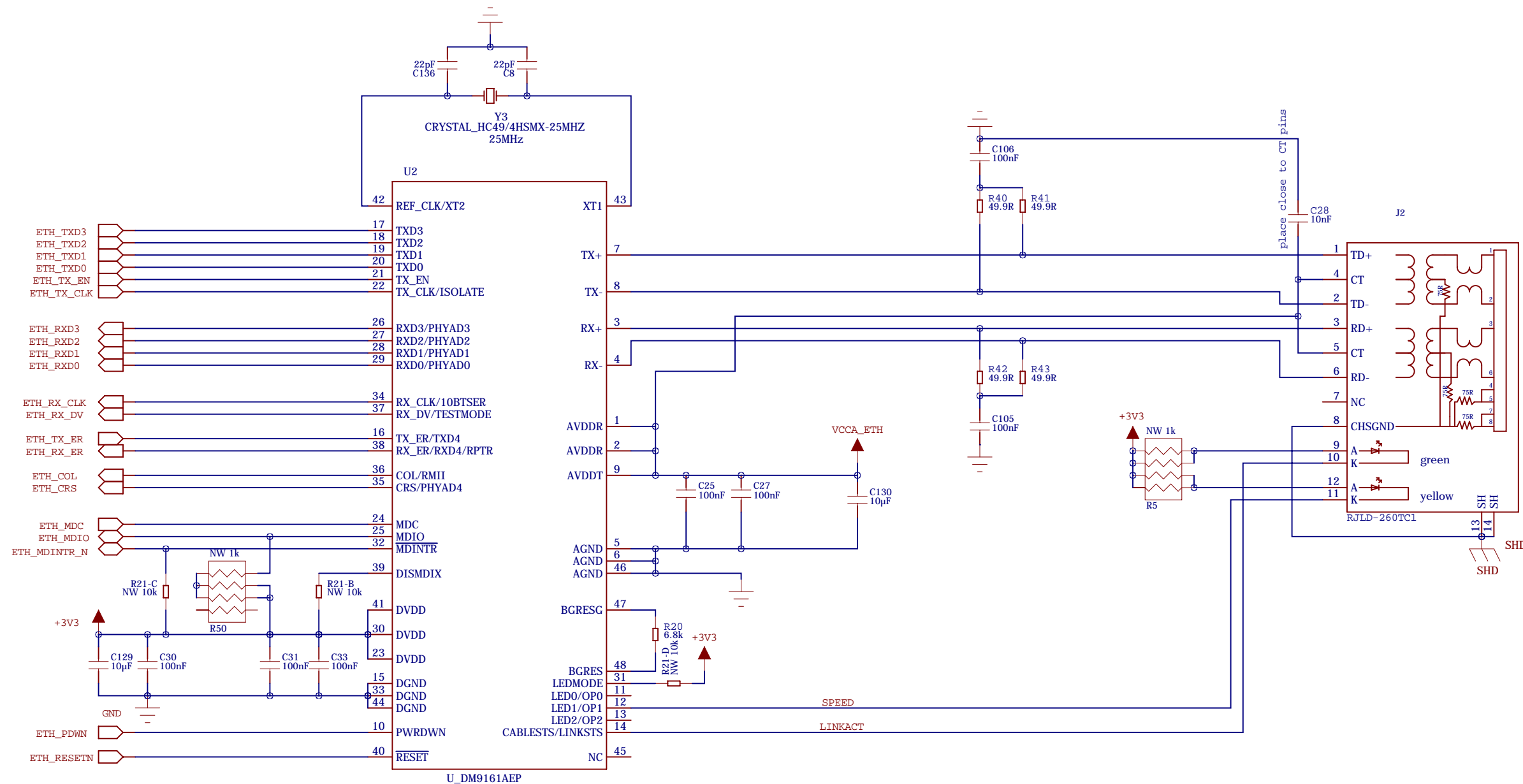
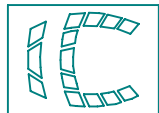


**In-Circuit GmbH**  
 Boltenhagener Str. 124  
 D-01109 Dresden  
 (C) Copyright by In-Circuit GmbH

PROJECT TITLE: <b>ICnova ADB1002</b>			
BOARD NO <b>610000120B</b>	SHEET TITLE <b>ICNOVA_SAM9G45_OEM</b>	SIZE: <b>A3</b>	REV: <b>B01</b>
DRAWN: <b>Steven Zimmermann</b>	DATED: <b>12.01.2010</b>	RELEASED: <b>&lt;Released By&gt;</b>	DATED:
CHECKED: <b>Karsten Stork</b>	DATED: <b>12.01.2010</b>	LAST SAVED <b>17.09.2014</b>	SHEET: 1 OF 7

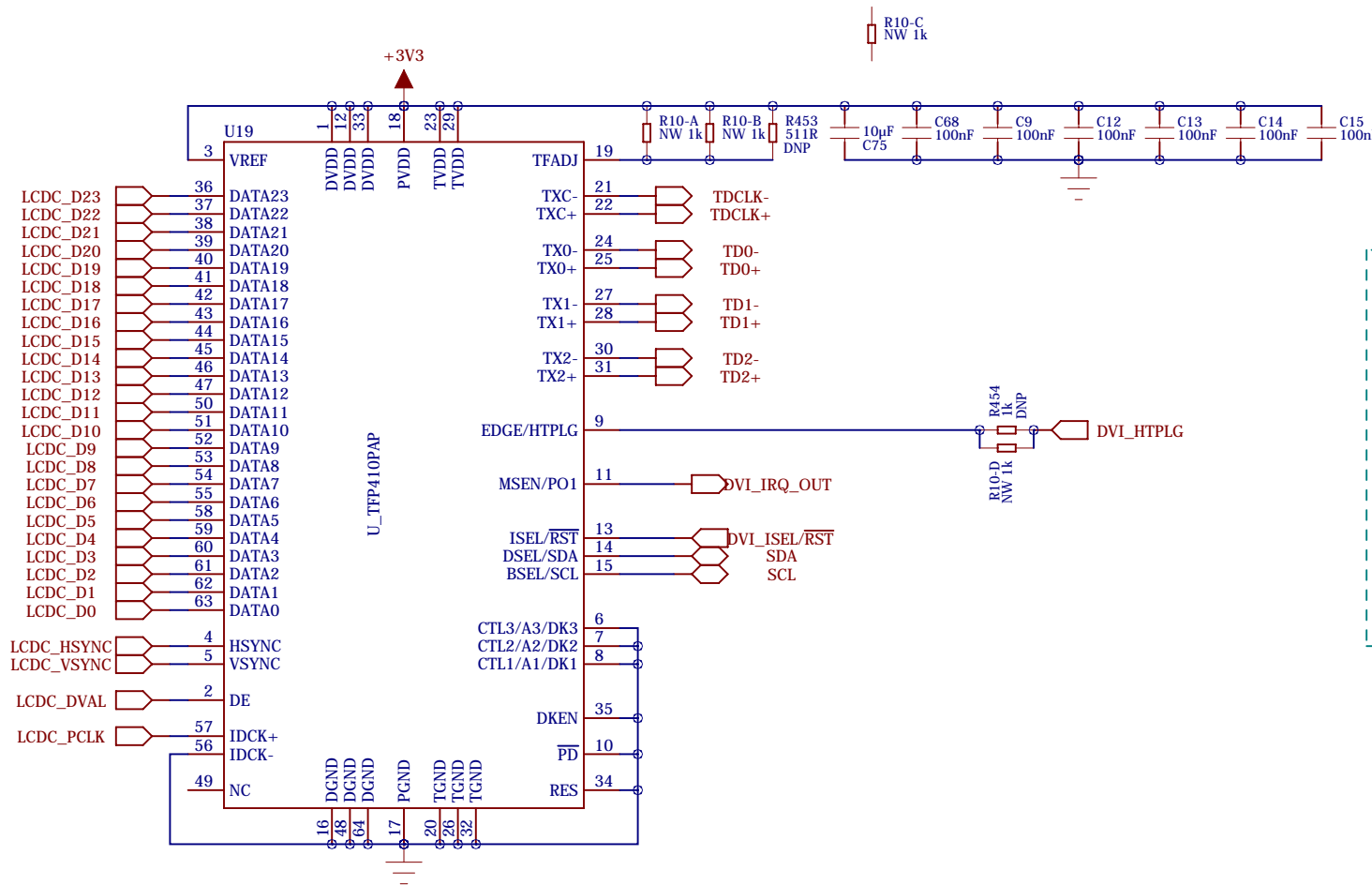




**In-Circuit GmbH**  
 Boltenhagener Str. 124  
 D-01109 Dresden  
 (C) Copyright by In-Circuit GmbH

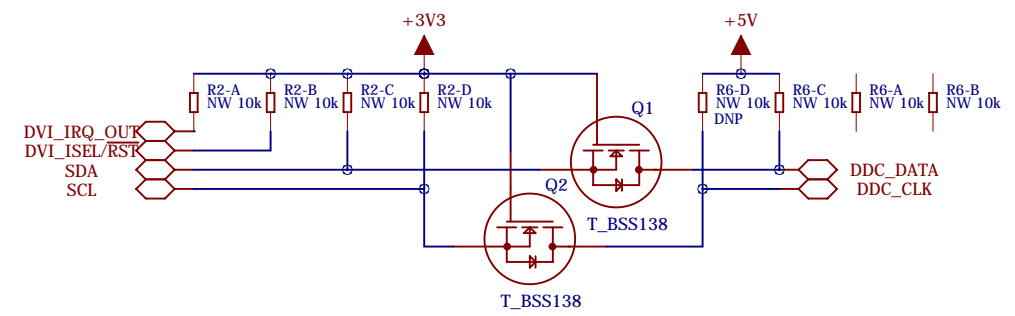
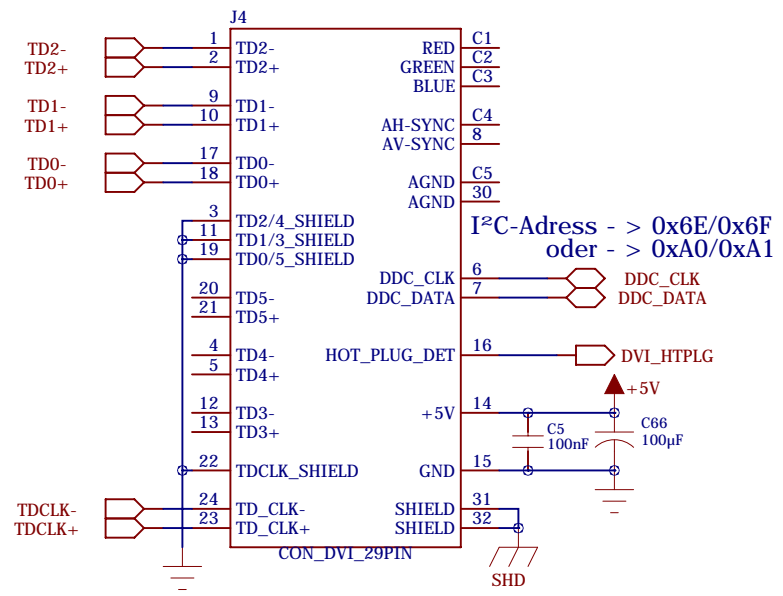
PROJECT TITLE:  
**ICnova ADB1002**

BOARD NO <b>610000120B</b>	SHEET TITLE <b>ETHERNET</b>	SIZE <b>A3</b>	REV: <b>B01</b>
DRAWN: <b>Steven Zimmermann</b>	DATED: <b>12.01.2010</b>	RELEASED: <b>&lt;Released By&gt;</b>	DATED:
CHECKED: <b>Karsten Stork</b>	DATED: <b>12.01.2010</b>	LAST SAVED <b>17.09.2014</b>	SHEET: <b>2 OF 7</b>



**TFP410 in I<sup>2</sup>C-Mode**  
 CTL[3..1]/A[3..1]/DK[3..1] -> I<sup>2</sup>C-Adress Bits -> 0x70/0x71  
 MSEN/PO1-> GPO  
 ISEL/ $\overline{\text{RST}}$ -> reset I<sup>2</sup>C-Statemachine  
 BSEL/SCL -> I<sup>2</sup>C CLK-Line  
 DSEL/SDA -> I<sup>2</sup>C Data Line  
 EDGE/HTPLG -> Hot-Plug detection  
 DKEN -> tie to GND  
 $\overline{\text{PD}}$  -> tie to GND

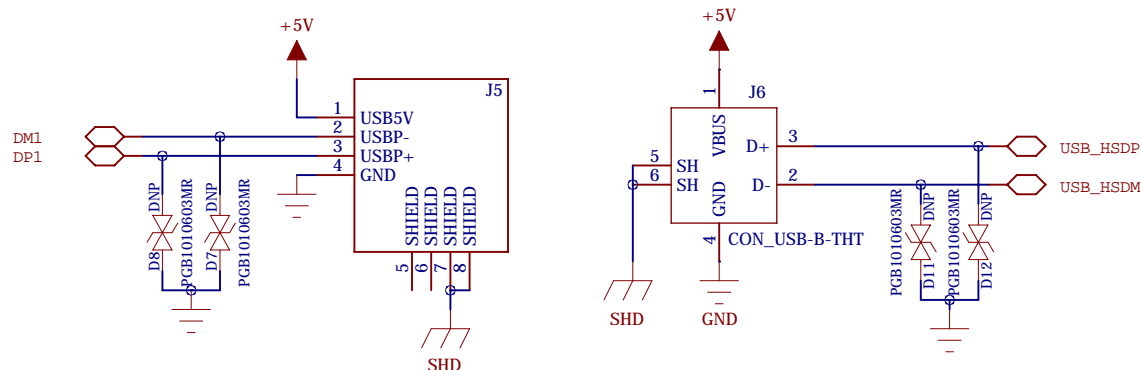
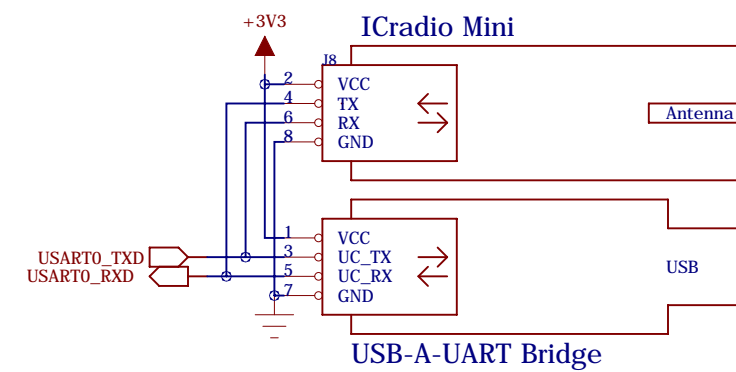
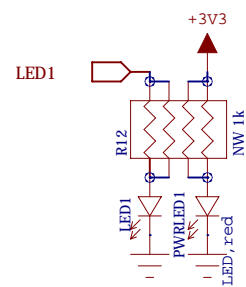
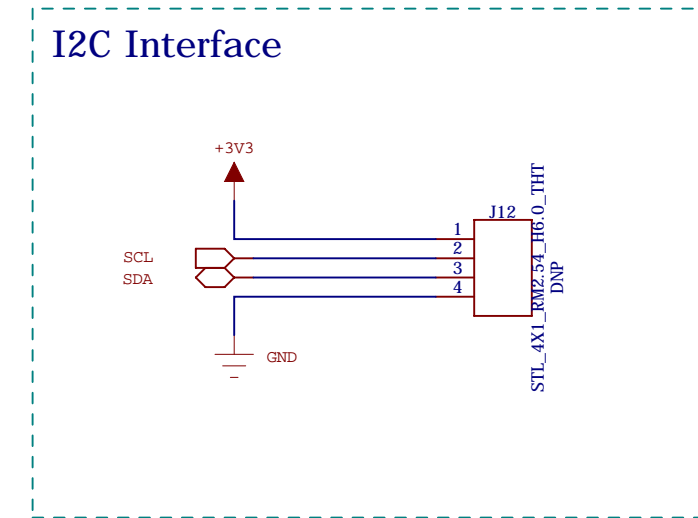
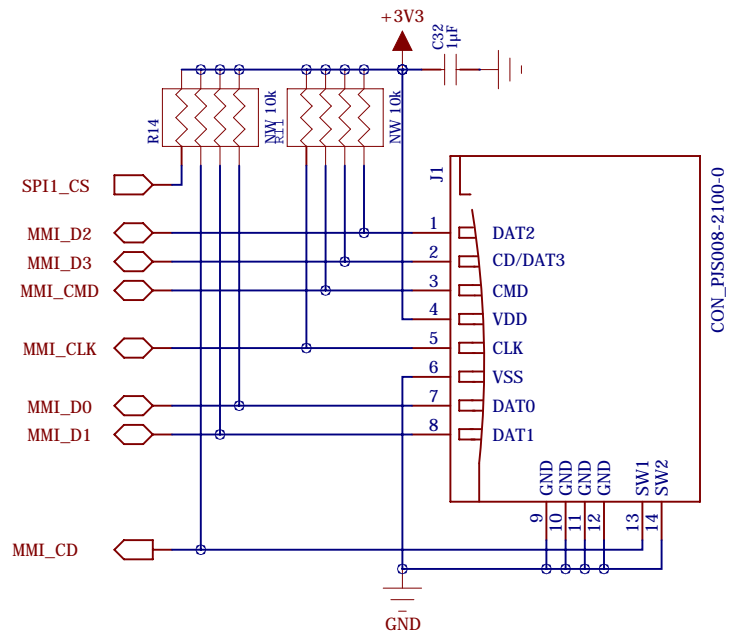
**TFP410 initiate registers:**  
 CTL1\_MODE -> set  $\overline{\text{PD}}$  to '1'; set TDIS to '0'  
 DE\_CTL -> set VS\_POL and HS\_POL to '1'  
 leave other registers in initial state




**In-Circuit GmbH**  
 Boltenhagener Str. 124  
 D-01109 Dresden  
 (C) Copyright by In-Circuit GmbH

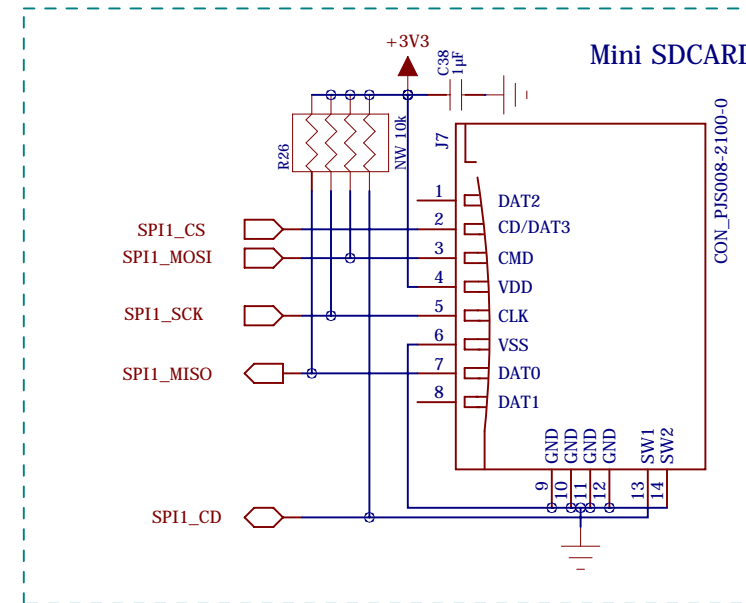
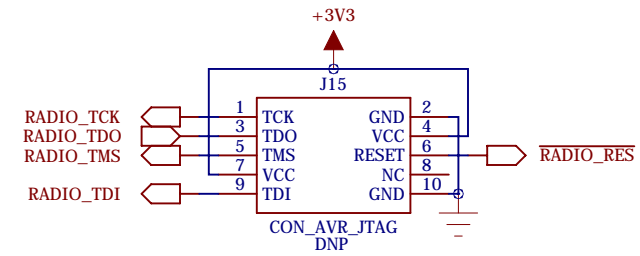
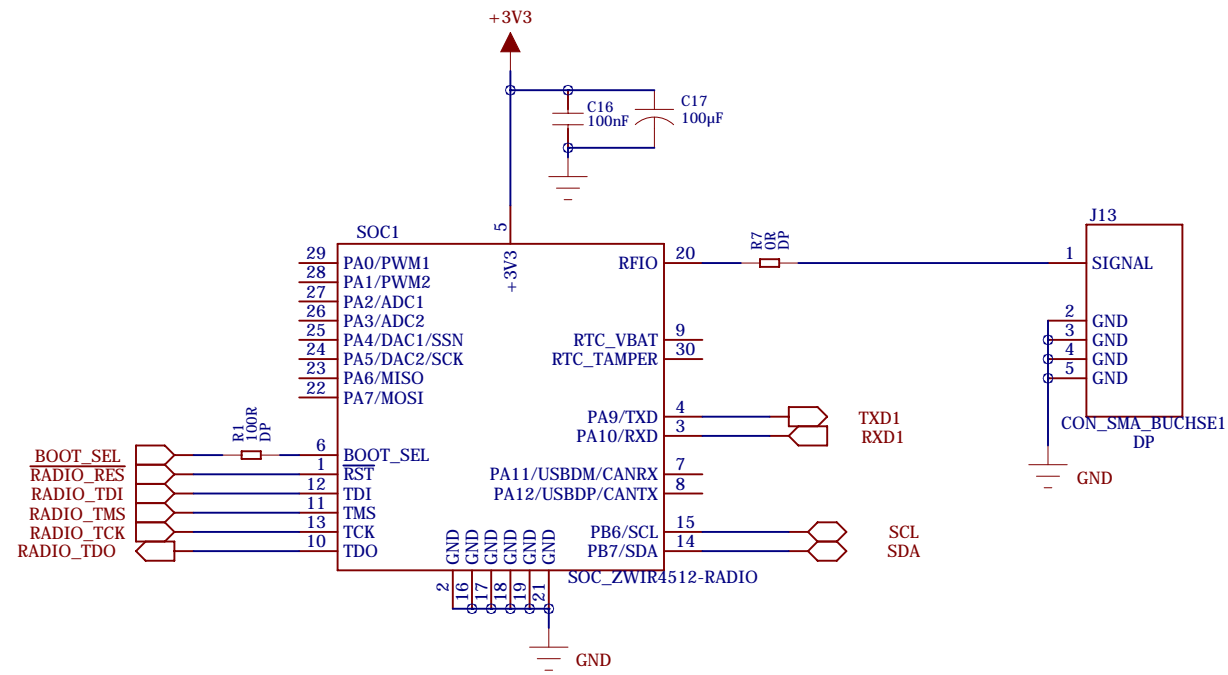
PROJECT TITLE:  
**ICnova ADB1002**


BOARD NO <b>610000120B</b>	SHEET TITLE <b>DVI</b>	SIZE: <b>A3</b>	REV: <b>B01</b>
DRAWN: <b>Steven Zimmermann</b>		DATED: <b>12.01.2010</b>	
CHECKED: <b>Karsten Stork</b>		DATED: <b>12.01.2010</b>	
RELEASED: <b>&lt;Released By&gt;</b>		DATED:	
LAST SAVED <b>17.09.2014</b>		SHEET: <b>3 OF 7</b>	



HS USB Device @AP7000

 <b>In-Circuit GmbH</b> Boltenhagener Str. 124 D-01109 Dresden <b>(C) Copyright by In-Circuit GmbH</b>		PROJECT TITLE:	
		<b>ICnova ADB1002</b>	
BOARD NO	SHEET TITLE	SIZE:	REV:
<b>610000120B</b>	<b>USB/CON/LED/GPIO</b>	<b>A3</b>	<b>B01</b>
DRAWN:	DATED:	RELEASED:	DATED:
<b>Steven Zimmermann</b>	<b>12.01.2010</b>	<b>&lt;Released By&gt;</b>	
CHECKED:	DATED:	LAST SAVED	SHEET: 4 OF 7
<b>Karsten Stork</b>	<b>12.01.2010</b>	<b>17.09.2014</b>	




**In-Circuit GmbH**  
 Boltenhagener Str. 124  
 D-01109 Dresden  
**(C) Copyright by In-Circuit GmbH**

PROJECT TITLE:

**ICnova ADB1002**

BOARD NO

**610000120B**

SHEET TITLE

**RADIO**

SIZE:

**A3**

REV:

**B01**

DRAWN:

**Steven Zimmermann**

DATED:

**12.01.2010**

RELEASED:

**<Released By>**

DATED:

CHECKED:

**Karsten Stork**

DATED:

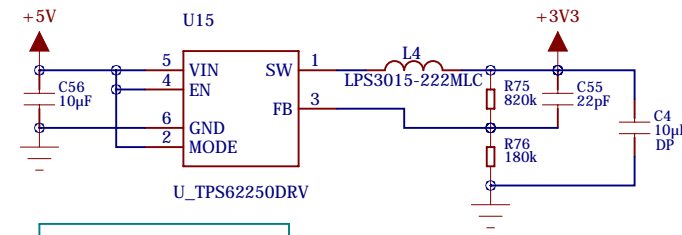
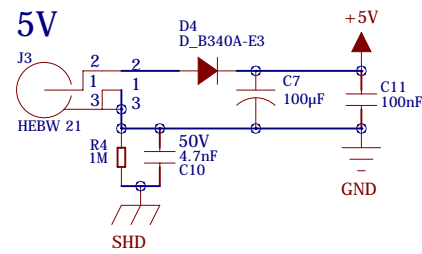
**12.01.2010**

LAST SAVED

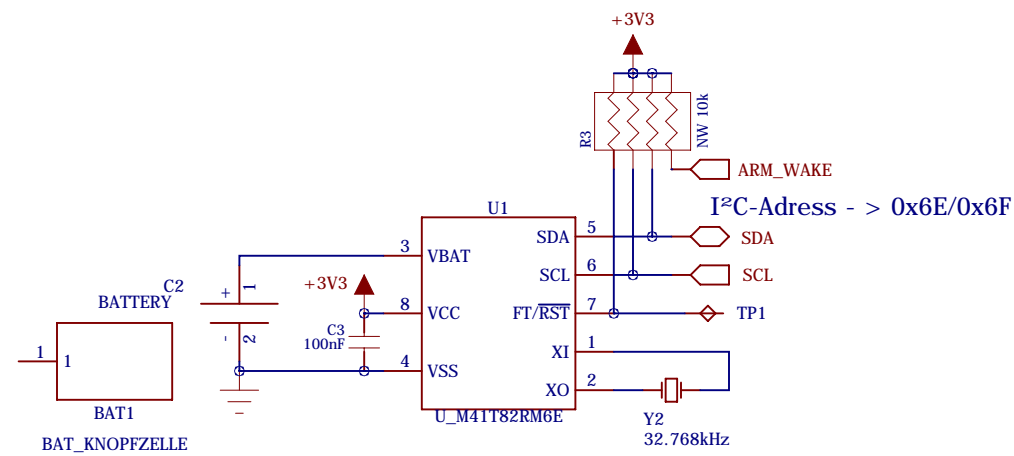
**17.09.2014**

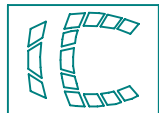
SHEET:

**5 OF 7**

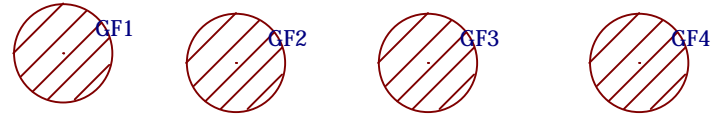
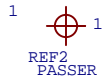
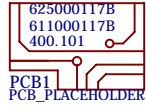


TFP410 ->	250mA
M41T82 ->	0.2mA
ICradio ->	40mA
ICnova ->	200mA
DM9161 ->	92mA
Summe ->	582.2mA



 <b>In-Circuit GmbH</b> Boltenhagener Str. 124 D-01109 Dresden (C) Copyright by In-Circuit GmbH			
PROJECT TITLE: <b>ICnova ADB1002</b>			
BOARD NO <b>610000120B</b>	SHEET TITLE <b>POWER/RTC</b>	SIZE: <b>A3</b>	REV: <b>B01</b>
DRAWN: <b>Steven Zimmermann</b>	DATED: <b>12.01.2010</b>	RELEASED: <b>&lt;Released By&gt;</b>	DATED:
CHECKED: <b>Karsten Stork</b>	DATED: <b>12.01.2010</b>	LAST SAVED <b>17.09.2014</b>	SHEET: <b>6 OF 7</b>

1 2 3 4 5 6 7 8 9 10



A

A

B

B

C

C

D

D

E

E

		In-Circuit GmbH Boltenhagener Str. 124 D-01109 Dresden <b>(C) Copyright by In-Circuit GmbH</b>	
PROJECT TITLE: <b>ICnova ADB1002</b>			
BOARD NO <b>610000120B</b>	SHEET TITLE <b>MECHANICAL</b>	SIZE: <b>A3</b>	REV: <b>B01</b>
DRAWN: <b>Steven Zimmermann</b>	DATED: <b>12.01.2010</b>	RELEASED: <b>&lt;Released By&gt;</b>	DATED:
CHECKED: <b>Karsten Stork</b>	DATED: <b>12.01.2010</b>	LAST SAVED <b>17.09.2014</b>	SHEET: <b>7 OF 7</b>

1 2 3 4 5 6 7 8 9 10